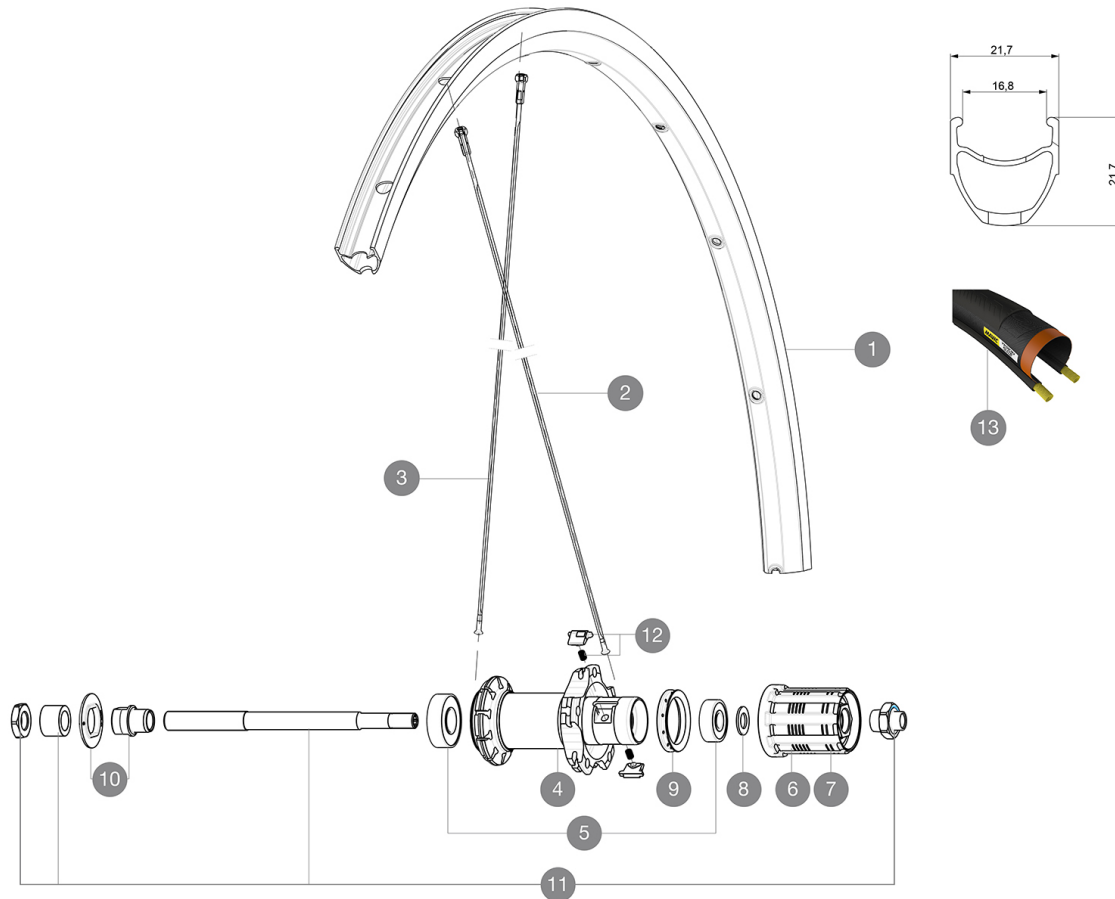


MAVIC Aksium Elite

ASTM CATEGORY 2 : road and offroad with jumps less than 15cm
 For a longer longevity of the wheel, Mavic recommends that the total weight supported by the wheels don't exceed 120kg, bike included
 Recommended tyre sizes: 25 to 32 mm
 23mm 8.7 bars - 125 psi, 25mm 7.7 bars - 110 psi
 Max. Pressure: 25/28mm 7.7 bars - 110 PSI

参照ホイール

R81101 Aksium Elite 17 Rr



RIMS



&NBSP;:

1	V2735015	KIT FRONT/REAR RIM AKSIUM ELITE UST UB SUP
1	V2408615	KIT FRONT/REAR RIM AKSIUM ELITE 17C - while stock last

SPOKES

2	10845001	10 BLACK REAR FW AKSIUM 010 SPOKES 298mm
3	V4160101	Kit 10 stainless spokes 285 Ft Ksyrium Equipe S/Ft & NDS Aks
3	10844901	KIT 10 FT KSYRIUM EQ S/FT+NDS AKSIUM SPK 285mm - while stock

HUB SHELLS

4	12034401	KIT 3 HUB CAPS AERO 10 SLOTS BLACK
5	M40660	REAR HUB 608+6001 BEARINGS
6	30871101	FTS-L FREEWHEEL BODY HG11 2013 (8 or 9mm axle compatible)
8	M40067	10 SPACERS FRW/HUB BODY
9	99500001	FTSL/FTSX FREEHUB BODY SEAL
10	99603801	SHORT EXPENSIBLE BEARING SUPPORTS > 2008
11	99603901	REAR AXLE KSYRIUM EQUIPE 08
12	M40578	FTSL PAWLS KIT (ROAD WHEELS)

TYRES

13	37805628	Yksion Elite Guard 16 White 28
13	37805625	Yksion Elite Guard 16 White 25



Aksium Elite

付属品

BR101 quick releases (M40350 frt, M40351 rear road, M40352 rear MTB) 1	
BR101 quick releases (M40350 frt, M40351 rear road, M40352 rear MTB) 1	
Rim tape	
Rim tape	
User guide	
User guide	

COMPATIBILITY

Freewheel: Shimano/Sram, convertible to Campagnolo with optional driver body	
Freewheel: Shimano/Sram, convertible to Campagnolo with optional driver body	
Front axle: Quick Release only	
Front axle: Quick Release only	
Rear axle: Quick Release only	
Rear axle: Quick Release only	

Specifications

リム

- Material : S6000 Aluminum
- Material : S6000 Aluminum
- Height : 21 mm
- \varnothing : 22 mm
- Joint : sleeved
- Joint : sleeved
- Drilling : traditional with H2 reinforcement
- Drilling : traditional with H2 reinforcement
- Brake track : UB Control
- Brake track : UB Control
- Valve hole diameter : 6.5 mm
- Valve hole diameter : 6.5 mm
- Tyre : clincher
- Tyre : clincher
- Internal width : 17 mm
- Internal width : 17 mm
- ETRTO size : 622x17C
- ETRTO size : 622x17C

スポーク

- Material : steel
- Material : steel
- Shape : straight pull, bladed
- Shape : straight pull, bladed
- Nipples : steel, ABS
- Nipples : steel, ABS
- Count : 20 front and rear
- Count : 20 front and rear
- Lacing : radial front and rear non-drive side, crossed 2 rear drive side
- Lacing : radial front and rear non-drive side, crossed 2 rear drive side

ホイールハブ

- Front and rear bodies : aluminum
- Front and rear bodies : aluminum
- Axle material : steel
- Axle material : steel
- Sealed cartridge bearings
- Sealed cartridge bearings
- Freewheel : FTS-L steel
- Freewheel : FTS-L steel

VERSIONS

- Color : Black only
- Color : Black only

ホイールの重み

ホイール重量 (クイックリリースおよびクリンチャー/チューブラーを除く) (g) : 970