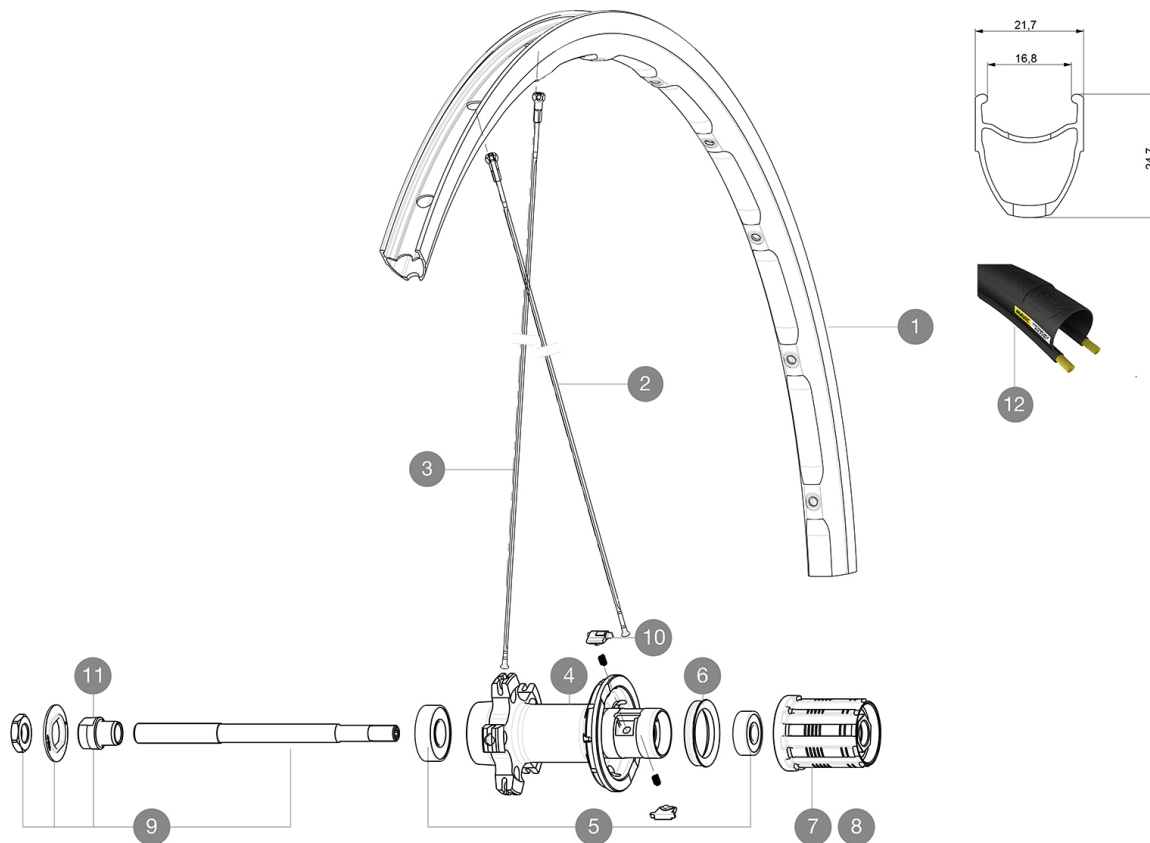


ASTM CATEGORY 1 : road only  
 Recommended weight limit : 120kg  
 Recommended tire sizes: 25 to 32 mm  
 Max. Pressure: 23mm 8.7 bars - 125 psi, 25/28mm 7.7 bars - 110 psi  
 Max. Pressure: 25mm 7.7 bars - 110 PSI

## REFERENCES WHEELS

R81001	Ksyrium 17 Rr Black	R81002	Ksyrium 17 Rr Blue
--------	---------------------	--------	--------------------



## RIMS



&NBSP;:

1	V2409213	KIT REAR RIM KSYRIUM BLUE 17C
1	V2409013	KIT REAR RIM KSYRIUM BLACK 17C

## SPOKES

2	V2275801	KIT 12 DS KSYRIUM DISC 12/KSY 17C SPK 274mm
3	V2275701	KIT 12 NDS KSYRIUM DISC 12/KSY 17C SPK 292mm

## HUB SHELLS

5	M40660	REAR HUB 608+6001 BEARINGS
6	99500001	FTSL/FTSX FREEHUB BODY SEAL
7	30871101	FTS-L ROAD FREEWHEEL BODY HG11 8/9 compatible
9	99603901	REAR AXLE QRM ROAD 2008
10	M40578	FTSL PAWLS KIT (ROAD WHEELS)
11	99603801	SHORT EXPENSIBLE BEARING SUPPORTS > 2008

## TYRES

12	37805725	Yksion Elite
----	----------	--------------

**DELIVERED WITH**

BR101 quick releases (M40350 firt, M40351 rear road, M40352 rear MTB) 1	
BR101 quick releases (M40350 firt, M40351 rear road, M40352 rear MTB) 1	
Rim tape	
Rim tape	
User guide	
User guide	

**COMPATIBILITY**

Freewheel: Shimano/Sram, convertible to Campagnolo with optional driver body	
Freewheel: Shimano/Sram, convertible to Campagnolo with optional driver body	
Front axle: Quick Release only	
Front axle: Quick Release only	
Rear axle: Quick Release only	
Rear axle: Quick Release only	

**Specifications****RIMS**

- **Material** : S6000 Aluminum
- **Material** : S6000 Aluminum
- **Height** : 21 mm
- **Height** : 24 mm
- **Height** : 24 mm
- **Joint** : SUP
- **Joint** : SUP
- **Drilling** : traditional with H2 reinforcement
- **Drilling** : traditional with H2 reinforcement
- **Brake track** : UB Control
- **Brake track** : UB Control
- **Weight reduction** : ISM
- **Weight reduction** : ISM
- **Valve hole diameter** : 6.5 mm
- **Valve hole diameter** : 6.5 mm
- **Tire** : clincher
- **Tire** : clincher
- **Internal width** : 17 mm
- **Internal width** : 17 mm
- **ETRTO size** : 622x17C
- **ETRTO size** : 622x17C

**SPOKES**

- **Material** : steel
- **Material** : steel
- **Shape** : straight pull, bladed
- **Shape** : straight pull, bladed
- **Nipples** : steel, ABS
- **Nipples** : steel, ABS
- **Count** : 20 front and rear
- **Count** : 20 front and 24 rear
- **Lacing** : front radial, rear Isopulse
- **Lacing** : front radial, rear Isopulse

**WHEEL HUB**

- **Front and rear bodies** : aluminum
- **Front and rear bodies** : aluminum
- **Axle material** : steel
- **Axle material** : steel
- Sealed cartridge bearings
- Sealed cartridge bearings
- **Freewheel** : FTS-L steel
- **Freewheel** : FTS-L steel

**VERSIONS**

- **Color** : Black only
- **Color** : Black or Black/Blue

**WHEEL WEIGHTS**

Wheel weight 925