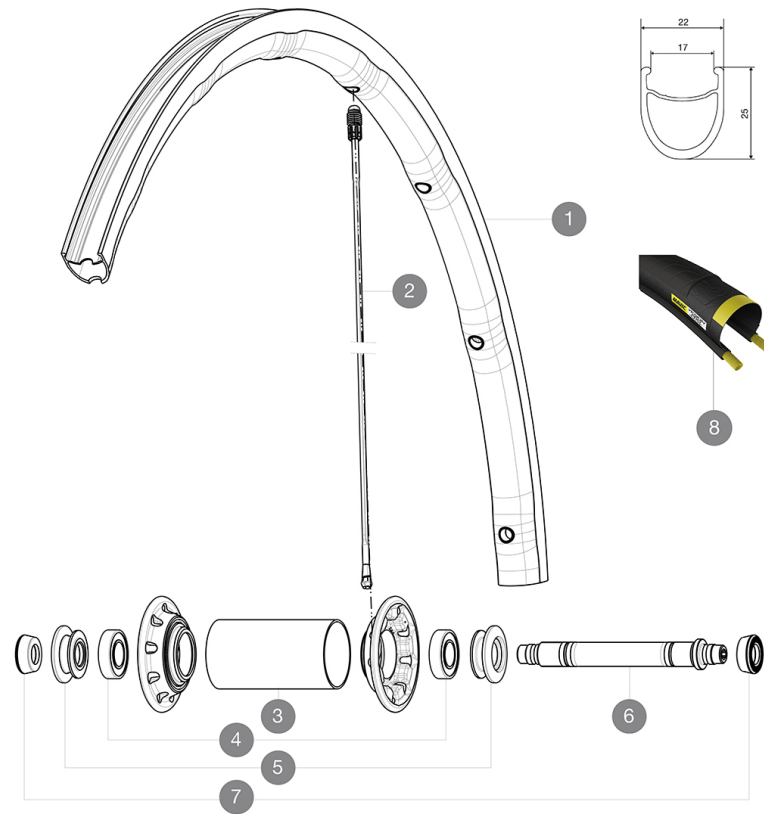


**MAVIC** *Ksyrium Pro Exalith*

ASTM CATEGORY 2 : road and offroad with jumps less than 15cm  
 Recommended weight limit : 120kg  
 Recommended tire sizes: 25 to 32 mm  
 Max. Pressure: see indication on wheel and tyre. If they differ, use the lower of the 2  
 Max. Pressure: 23mm 8.7 bars - 125 psi, 25/28mm 7.7 bars - 110 psi  
 Max. Pressure: 25mm 7.7 bars - 110 PSI

**REFERENCES WHEELS**

F61801 KsyriumProExalith17 Ft

**RIMS**

&amp;NBSP;:

1	V2405510	KIT FRONT RIM KSYRIUM PRO EXALITH
---	----------	-----------------------------------

**SPOKES**

2	V2270601	KIT 9 FT KSY SLR/K125/PRO EXA SPK 282,5mm
---	----------	---

**HUB SHELLS**

3	N/A	HUB BODY
4	M40078	FRONT HUB BEARINGS 6901 x 2
5	M40759	ADJUSTING BEARING NUT + FRONT CAP
6	32999801	FRONT AXLE KIT R-SYS/KSYRIUM SL/SLS 2013

**TYRES**

8	37805325	YksionProGripLinkWH
---	----------	---------------------

**ADAPTERS**

7	35117301	FT/RR FORK REST R-SYS/CC ULTIMATE > 2013/KSY PRO CARB T
---	----------	---

# MAVIC Ksyrium Pro Exalith

## DELIVERED WITH

BR601 quick releases (V24 501 01 frt, V24 502 01 rear) 1	
BR601 quick releases (V24 501 01 frt, V24 502 01 rear) 1	
BR601 quick releases (V24 501 01 frt, V24 502 01 rear) 1	
BR601 quick releases (V24 501 01 frt, V24 502 01 rear) 1	
Exalith brake pads (V24 703 01 Shimano/Sram, V24 704 01 Campagnolo) 1	
Exalith brake pads (V24 703 01 Shimano/Sram, V24 704 01 Campagnolo) 1	
Exalith brake pads (V24 703 01 Shimano/Sram, V24 704 01 Campagnolo) 1	
Exalith brake pads (V24 703 01 Shimano/Sram, V24 704 01 Campagnolo) 1	
Multifonction adjustment wrench (325 423 01) 1	
Multifonction adjustment wrench (325 423 01) 1	
Multifonction adjustment wrench (325 423 01) 1	
Multifonction adjustment wrench (325 423 01) 1	
User guide	
User guide	
User guide	
User guide	

## COMPATIBILITY

Freewheel: Shimano/Sram, convertible to Campagnolo with optional driver body	
Freewheel: Shimano/Sram, convertible to Campagnolo with optional driver body	
Freewheel: Shimano/Sram, convertible to Campagnolo with optional driver body	
Freewheel: Shimano/Sram, convertible to Campagnolo with optional driver body	
Front axle: Quick Release only	
Front axle: Quick Release only	
Front axle: Quick Release only	
Front axle: Quick Release only	
Rear axle: Quick Release only	
Rear axle: Quick Release only	
Rear axle: Quick Release only	
Rear axle: Quick Release only	

## Specifications

### RIMS

- Material : Mxstal
- Material : Mxstal
- Material : Mxstal
- Material : Mxstal
- Height : front 24mm, rear 26 asymmetrical

### WHEEL HUB

- Rear body : aluminum
- Rear body : aluminum
- Rear body : aluminum
- Rear body : aluminum
- Front body : carbon with aluminum flanges

### WHEEL WEIGHTS

Wheel weight 630