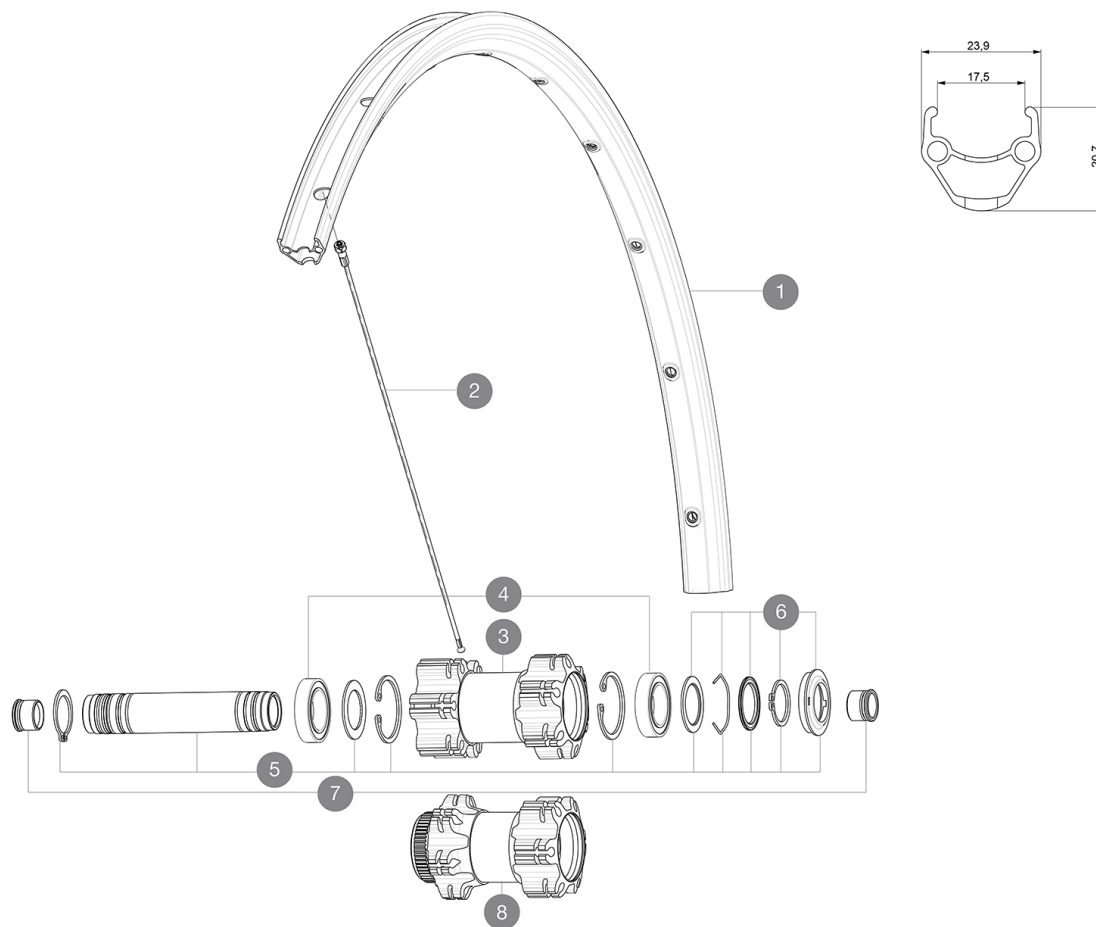


# MAVIC Aksium Disc TA

ASTM CATEGORY 2 : road and offroad with jumps less than 15cm  
For a longer longevity of the wheel, Mavic recommends that the total weight supported by the wheels don't exceed 120kg, bike included  
Recommended tyre sizes: 25 to 32 mm

## 参照ホイール

F68901	Aksium D6B TA Ft 12x100	F71631	AksDCLTA12mmFtWTS
F69001	Aksium DCL TA Ft 12x100		



## RIMS



&NBSP;:

1	V2290815	KIT FRONT/REAR RIM AKSIUM ONE DISC
---	----------	------------------------------------

## SPOKES

2	36690301	"12 SPOKES FRONT/OPP DRIVE SIDE CROSSONE 29"" 296mm"
---	----------	--

## HUB SHELLS

3	N/A	HUB BODY
4	99688501	BEARING KIT 9/15 D6T HUB
5	V2371101	KIT FRONT QRM AXLE 100mm/BOOST 110mm
6	V2370301	FRONT AUTO ADJUST.PLAY KIT 15MM AXLE

## ADAPTERS

7	V2680201	12mmFtRoadAxleAdaptersQRM
---	----------	---------------------------



# Aksium Disc TA

## 付属品

BR101 quick releases (M40350 frt, M40351 rear road, M40352 rear MTB) 1	
Front 12 mm adapters (B4104201) 1	
Rear 12x142mm adapters for Instant Drive 360 (B49 896 01 for ID360 6T, B49 899 01 for ID360 CL) 1	
Rim tape	
User guide	

## COMPATIBILITY

Freewheel: Shimano/Sram, convertible to Campagnolo and XD-R with optional driver bodies	
Front axle: convertible from 12mm thru axle to quick release or 15mm thru axle with optional adapters	
Rear axle: 12mm thru axle, convertible to Quick Release with optional adapters	

## Specifications

### リム

- Material : S6000 Aluminum
- Height : 21 mm
- Joint : pinned
- Drilling : traditional with H2 reinforcement
- Disc brake specific profile
- Valve hole diameter : 6.5 mm
- Tyre : clincher
- Internal width : 17 mm
- ETRTO size : 622x17C

### スポーク

- Material : steel
- Shape : straight pull, round
- Nipples : steel, ABS
- Count : 24 front and rear
- Lacing : front and rear crossed 2

### ホイールハブ

- Front and rear bodies : aluminum
- Axle material : aluminum
- Sealed cartridge bearings
- Freewheel : Instant Drive 360
- Front : Quick release, 12 and 15mm through axle compatible
- Rear : convertible to 12mm through axle (135 and 142)

### VERSIONS

- Color : Black only
- Disc standard : 6 Bolts or Center Lock(R)

### ホイールの重み

ホイール重量 (クイックリリースおよびクリンチャー/チューブラーを除く) (g) : 905