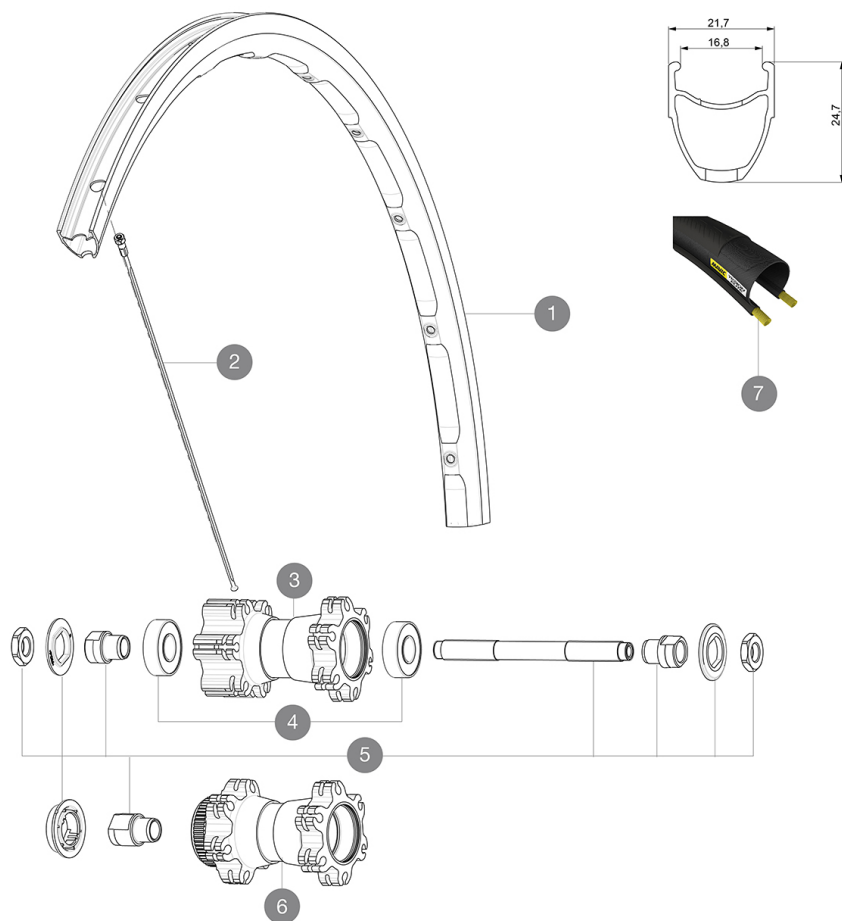


ASTM CATEGORY 2 : road and offroad with jumps less than 15cm
 Recommended weight limit : 120kg
 Recommended tire sizes: 25 to 32 mm
 Max. Pressure: 25mm 7.7 bars - 110 PSI

REFERENCES WHEELS

F67301 Ksyrium D6B 17 Ft QRx100

F67401 Ksyrium DCL 17 Ft QRx100



RIMS



&NBSP;:

| | | |
|---|----------|-------------------------------------|
| 1 | V2409315 | KIT FRONT/REAR RIM KSYRIUM DISC 17C |
|---|----------|-------------------------------------|

SPOKES

| | | |
|---|----------|---|
| 2 | V2275501 | KIT 12 FT KSYRIUM D/NDS KSY D 9 SPK 292mm |
|---|----------|---|

HUB SHELLS

| | | |
|---|----------|-------------------------|
| 4 | M40318 | KIT 2 HUB BEARINGS 6001 |
| 5 | 32347901 | FRONT AXLE QRM UB |
| 6 | N/A | HUB BODY |


TYRES

| | | |
|---|----------|--------------|
| 7 | 37805725 | Yksion Elite |
|---|----------|--------------|

MAVIC Ksyrium Disc

2017
FRONT

DELIVERED WITH

| | |
|---|---|
| BR101 quick releases (M40350 firt, M40351 rear road, M40352 rear MTB) 1 |  |
| Rim tape | |
| User guide | |

COMPATIBILITY

| | |
|--|--|
| Freewheel: Shimano/Sram, convertible to Campagnolo with optional driver body | |
| Front axle: Quick Release only | |
| Rear axle: Quick Release only | |

Specifications

RIMS

- **Material** : S6000 Aluminum
- **Height** : 24 mm
- **Joint** : SUP
- **Drilling** : traditional with H2 reinforcement
Disc brake specific profile
- **Weight reduction** : ISM
- **Valve hole diameter** : 6.5 mm
- **Tire** : clincher
- **Internal width** : 17 mm
- **ETRTO size** : 622x17C

SPOKES

- **Material** : steel
- **Shape** : straight pull, bladed
- **Nipples** : steel, ABS
- **Count** : 24 front and rear
- **Lacing** : front and rear crossed 2

WHEEL HUB

- **Front and rear bodies** : aluminum
- **Axle material** : steel
Sealed cartridge bearings
- **Freewheel** : FTS-L steel

VERSIONS

- **Color** : Black only
- **Disc standard** : 6 Bolts or Center Lock(R)

WHEEL WEIGHTS

Wheel weight 880