

ASTM CATEGORY 1 : road only

For a longer longevity of the wheel, Mavic recommends that the total weight supported by the wheels don't exceed 120kg, bike included

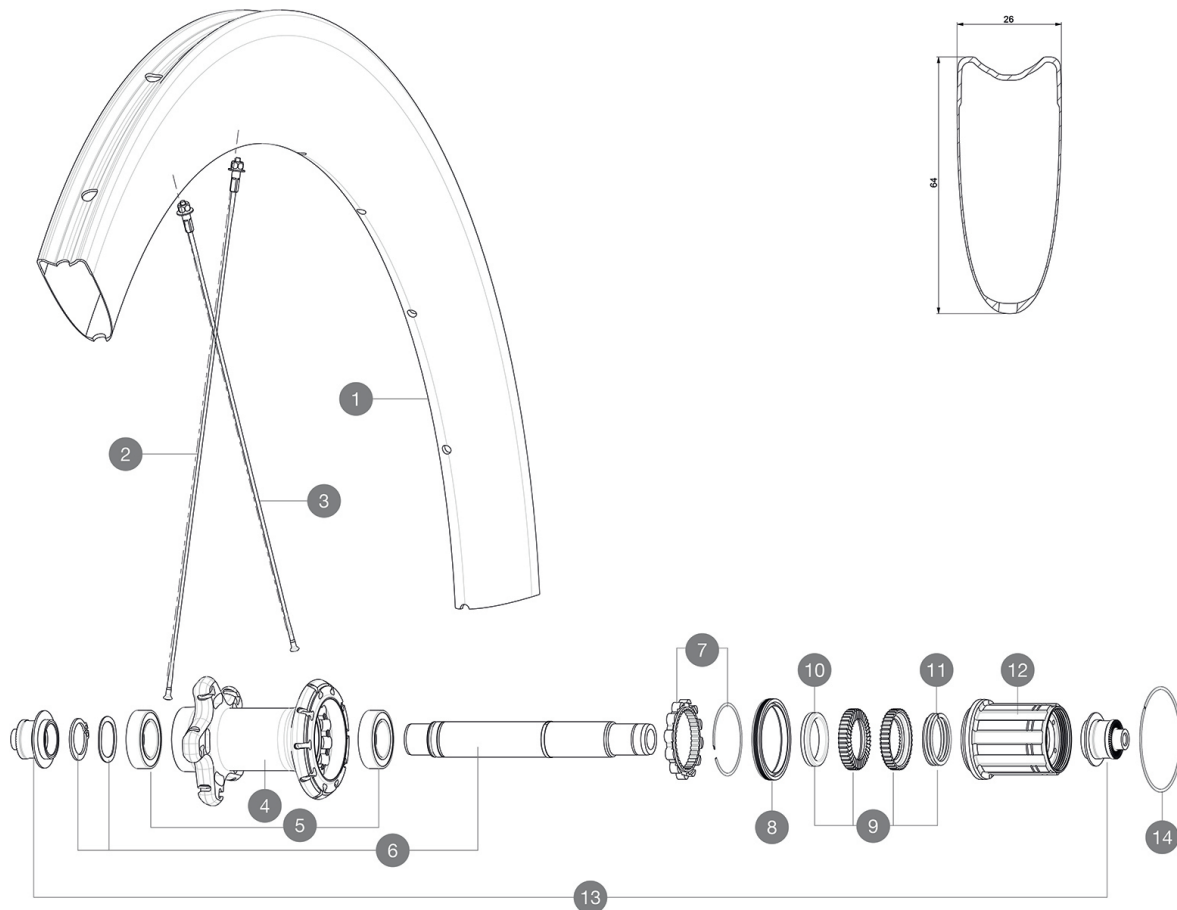
Recommended tyre sizes: 25 to 32 mm

23mm 8.7 bars - 125 psi, 25mm 7.7 bars - 110 psi

Max. Pressure: 25mm 7.7 bars - 110 PSI

参照ホイール

R93501 Comete Pro Car SL T Rr



RIMS



&NBSP;:

1	V2731313	KIT REAR RIM COMETE PRO CARBON SL T
---	----------	-------------------------------------

SPOKES

2	V2278301	KIT 10 NDS BTD AERO SPOKE 261mm - while stock last
2	V3663901	KIT 12 NON DRIVE SIDE BUTTED AERO STAINLESS SPOKE 261 +
3	V3662401	RH 12 DS BUTTED AERO STAINLESS SPOKE 236 + alu nipp.+ wash.
3	V2278501	KIT 1 FT 247/FT 253/DS 236 COMETE PRO CARB SL T D SPK
3	V2278401	KIT 10 DRIVE SIDE BUTTED AERO SPOKE 236mm

HUB SHELLS

4	N/A	HUB BODY
5	V2560401	KIT ID360 2 BEARINGS 17x28x7 + CIRCLIP + WAVED WASHER (QRM
6	V2252801	KIT ID360 UB REAR WHEEL AXLE WITH CIRCLIP/WAVE WASHER
7	V2252701	KIT ID360 INSERT SHAPED EAR LOBE > 2017
8	V2251601	ID360 SEAL + GREASE
9	V2251701	ID360 2 RATCHETS + SPRING + GREASE
10	V2500501	Kit 3 ID360 pad for noise reduction
11	V2251801	KIT 3 ID360 ROAD SPRINGS
12	V3430101	HG11 Freewheel Body ID360
14	V2252201	KIT 2 REAR HUB RETENTION RINGS 48mm

TYRES

15	37804425	Yksion Pro GripLink Tubular SSC 25
----	----------	------------------------------------

ADAPTERS

13	V2253101	KIT REAR AXLE ADAPTOR QUICK RELEASE ID360
----	----------	-------------------------------------------



Comete Pro Carbon SL T

付属品

BR601 quick releases (V24 501 01 frt, V24 502 01 rear) 1	
BR601 quick releases (V24 501 01 frt, V24 502 01 rear) 1	
Carbon brake pads (V24 603 01 Shimano/Sram, V24 604 01 Campagnolo) 1 pair	
Carbon brake pads (V24 603 01 Shimano/Sram, V24 604 01 Campagnolo) 1 pair	
Valve extender (118 952 01) 1	
Valve extender (118 952 01) 1	
Multifunction adjustment wrench (325 423 01) 1	
Multifunction adjustment wrench (325 423 01) 1	
User guide	
User guide	

COMPATIBILITY

Freewheel: Shimano/Sram or Campagnolo, convertible to XD-R with optional driver body	
Front axle: Quick Release only	
Front axle: Quick Release only	
Rear axle: Quick Release only	
Rear axle: Quick Release only	

Specifications

リム

- Material : 3K carbon fibers
- Material : 3K carbon fibers
- Height : 64mm
- Height : 64mm
- Drilling : traditional
- Drilling : traditional
- Brake track : carbon with TgMAX technology
- Brake track : carbon with TgMAX technology
- Valve hole diameter : 6.5 mm
- Valve hole diameter : 6.5 mm
- Tyre : tubular
- Tyre : tubular
- ETRTO size : 28" tubular
- ETRTO size : 28" tubular

スポーク

- Material : steel
- Material : steel
- Shape : straight pull, bladed, double butted
- Nipples : aluminum, ABS
- Nipples : aluminum, ABS
- Count : front 18, rear 24
- Lacing : front radial, rear Isopulse
- Lacing : front radial, rear Isopulse

ホイールハブ

- Front and rear bodies : aluminum
- Front and rear bodies : aluminum
- Axle material : aluminum
- Axle material : aluminum
- Sealed cartridge bearings
- Freewheel : Instant Drive 360
- Freewheel : Instant Drive 360

VERSIONS

- Color : Black only
- Color : Black only

ホイールの重み

ホイール重量 (クイックリリースおよびクリンチャー/チューブラーを除く) (g) :