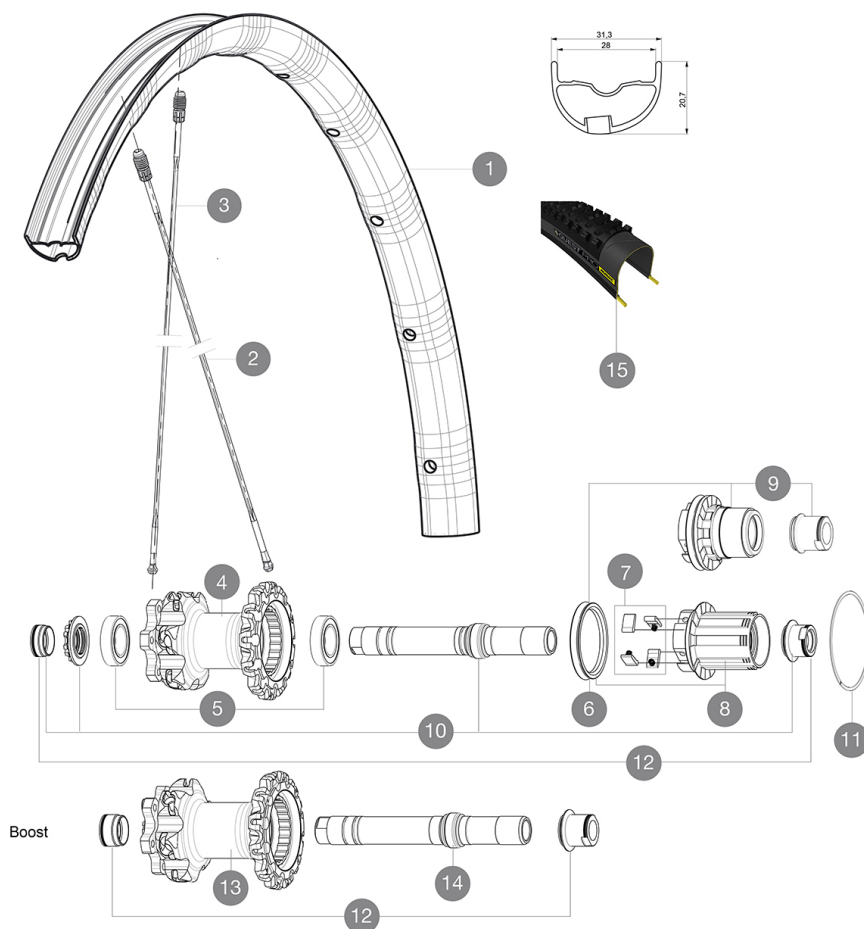


ASTM CATEGORY 4 : offroad with jumps less than 122cm
For a longer longevity of the wheel, Mavic recommends that the total weight supported by the wheels don't exceed 120kg, bike included
Recommended tyre sizes: 37 mm to 76 mm (1.5" to 3.0")

参照ホイール

R97541	Dmx Pro 27.5 Rr XD 12x142	R97561	Dmx Pro 27,5 Rr Bst XD 12x148
R97551	Dmx Pro 27.5 Rr Bst 12x148	R91001	Dmx Pro 27,5 Rr 12x142



RIMS



バルブ穴径 (MM) : 6.5 :

1	V2316513	KIT REAR RIM DEEMAX PRO 27,5" 25TSS
---	----------	-------------------------------------

SPOKES

2	36675101	"10 SPOKES DRIVE SIDE CROSSMAX SLR/ENDURO 650b/27,5"
3	36674901	"10 SPOKES FRONT CROSSMAX SLR/ENDURO 650b/27,5" 274mm"

HUB SHELLS

4	N/A	HUB BODY
5	M40076	HUB BEARINGS 17x30x7 6903 x 2
6	99610701	ITS4 SEAL
7	99610601	ITS4 PAWLS KIT
8	35126001	ITS-4 FREEWHEEL BODY + SEAL 2013 (WITHOUT PAWLS)
9	35684101	ITS-4 FREEWHEEL BODY XD +SEAL 2013 (WITHOUT PAWLS)
10	30870401	REAR AXLE KIT ITS4 135mm D6T/DCL 2012
11	30871801	ELASTIC RING 56mm diam.
13	N/A	HUB BODY
14	V2371201	KIT REAR QRM AXLE 135-142 / BOOST 148mm

TYRES




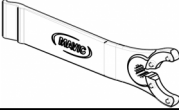
15	39243624	Quest Pro XL 27,5 x 2.40
----	----------	--------------------------

ADAPTERS

12	30872201	FORK REST ITS-4 135mm REAR AXLE > 2012
----	----------	--

MAVIC Deemax Pro

付属品

1 bottle of Mavic Sealant (355 466 01) 1	
Rear 12x142mm adapters for ITS4 and TS2 (308 593 01 for ITS4, 329 650 01 for TS2) 1	
UST valve and accessories (129 838 01)	
Multifunction adjustment wrench (325 423 01) 1	
User guide	

COMPATIBILITY

Freewheel: Shimano/Sram, convertible to XD with optional driver body	
Front axle: convertible from 15mm thru axle to Quick Release with optional adapters	
Rear axle: 12mm thru axle, convertible to Quick Release with optional adapters	

Specifications

リム

- Drilling : Fore
- Valve hole diameter : 6.5 mm
- Tyre : UST Tubeless and tubetype
- Internal width : 28 mm front and 25mm rear
- ETRTO size 27.5" : 584x28ss front & 584x25ss rear

Hookless profile

スポーク

- Material : Zicral
- Shape : straight pull, bladed
- Count : 24 front and rear
- Lacing : front crossed 2, rear Isopulse

ホイールハブ

- Front and rear bodies : aluminum
- Adjustable sealed cartridge bearings
- Freewheel : ITS-4 alloy

VERSIONS

- Color : Black only
- Disc standard : 6 Bolts only
- Hub width : Boost (front 110, rear 148) or Non-Boost (front 100, rear 135/142)

ホイールの重み

ホイール重量 (クイックリリースおよびクリンチャー/チューブラーを除く) (g) : 890