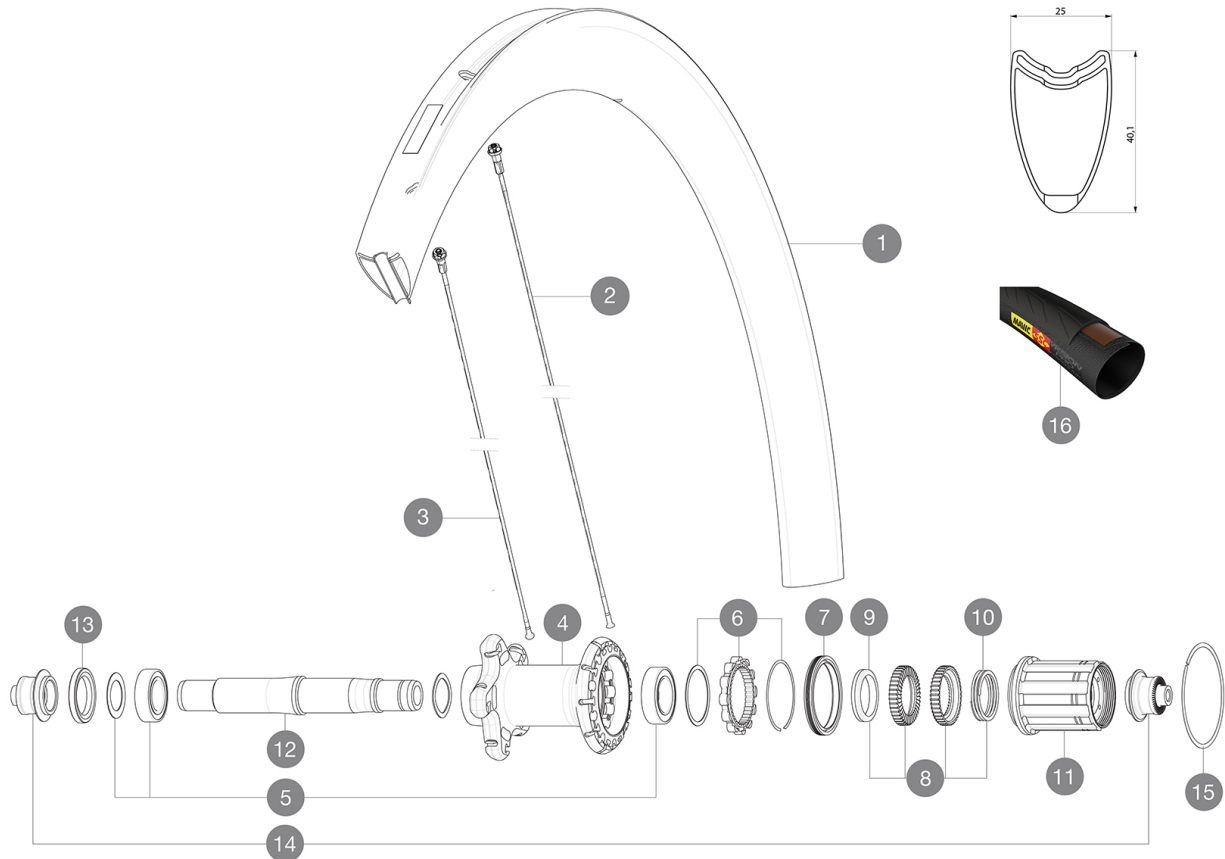


MAVIC **Cosmic Pro Carbon SL T**

ASTM CATEGORY 2 : road and offroad with jumps less than 15cm
 Recommended weight limit : 120kg
 Recommended tire sizes: 25 to 32 mm
 Max. Pressure: 23mm 8.7 bars - 125 psi, 25/28mm 7.7 bars - 110 psi
 Max. Pressure: 25mm 7.7 bars - 110 PSI

REFERENCES WHEELS

R98311 Cosmic Pro Car SL T Rr

**RIMS**

&nbsp;:

1	V2406613	KIT REAR RIM COSMIC PRO CARBON SL TUBULAR
---	----------	---

SPOKES

2	V3662801	KIT 12 DS COSMIC PRO CARB SL T/UST/UST Disc/C/C Disc BUTTED
2	V2274001	KIT 12 DS BTD AERO SPK 260mm/ALU NIPPL/WASHER - while stock
3	V3663801	KIT 12 FRT KSYR PRO CARB SL C/UST/T & NDS COSMIC PRO CARB SL
3	V2277601	KIT 12 NDS COSMIC PRO CARBON SL T 285mm SPK - while stock la

HUB SHELLS

4	N/A	HUB BODY
5	V2560101	KIT ID360 BEARINGS 15/26/7 + 17/28/7
6	V2252701	KIT ID360 INSERT SHAPED EAR LOBE > 2017
7	V2251601	KIT ID360 SEAL + GREASE
8	V2251701	KIT ID360 2 RATCHETS + SPRING + GREASE
9	V2500501	KIT ID360 3 PADS NOISE REDUCING
10	V2251801	KIT 3 ID360 ROAD SPRINGS
11	V3430101	HG11 Freewheel Body ID360
12	V2251201	KIT ID360 AXLE UB
13	V2250901	KIT ID360 HUB THREADED CAP for UB model (small)
15	V2252201	KIT 2 REAR HUB RETENTION RINGS 48mm

TYRES





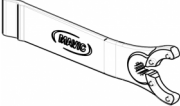

16	37804625	Yksion ProPowerTub SSC
----	----------	------------------------

ADAPTERS

14	B4989401	ADAPTER Rr 9mm QR ID360 (6bolt)
----	----------	---------------------------------

MAVIC Cosmic Pro Carbon SL T

DELIVERED WITH

BR601 quick releases (V24 501 01 frt, V24 502 01 rear) 1	
BR601 quick releases (V24 501 01 frt, V24 502 01 rear) 1	
Carbon brake pads (V24 603 01 Shimano/Sram, V24 604 01 Campagnolo) 1 pair	
Carbon brake pads (V24 603 01 Shimano/Sram, V24 604 01 Campagnolo) 1 pair	
Multifunction adjustment wrench (325 423 01) 1	
Multifunction adjustment wrench (325 423 01) 1	
User guide	
User guide	

COMPATIBILITY

Freewheel: Shimano/Sram or Campagnolo, convertible to XD-R with optional driver body	
Freewheel: Shimano/Sram, convertible to Campagnolo and XD-R with optional driver bodies	
Front axle: Quick Release only	
Front axle: Quick Release only	
Rear axle: Quick Release only	
Rear axle: Quick Release only	

Specifications

RIMS

- Material : 3K carbon fibers
- Material : 3K carbon fibers
- Height : 40 mm
- Height : 40 mm
- Drilling : traditional
- Drilling : traditional
- Brake track : carbon with TgMAX technology
- Brake track : carbon with TgMAX technology
- Valve hole diameter : 6.5 mm
- Valve hole diameter : 6.5 mm
- Tyre : tubular
- ETRTO size : 28" tubular
- ETRTO size : 28" tubular

SPOKES

- Material : steel
- Material : steel
- Shape : straight pull, bladed, double butted
- Shape : straight pull, aero, double butted
- Nipples : aluminum, ABS
- Nipples : aluminum, ABS
- Count : front 16, rear 20
- Count : front 16, rear 20
- Lacing : front radial, rear Isopulse
- Lacing : front radial, rear Isopulse

WHEEL HUB

- Front and rear bodies : aluminum
- Front and rear bodies : aluminum
- Axle material : aluminum
- Axle material : aluminum
- Front bearings : adjustable sealed cartridge bearings (QRM+), Rear bearings auto adjust sealed cartridge bearings (QRM Auto)
- Sealed cartridge bearings
- Freewheel : Instant Drive 360
- Freewheel : Instant Drive 360

VERSIONS

- Color : Black only
- Color : Black only

WHEEL WEIGHTS

Wheel weight 790