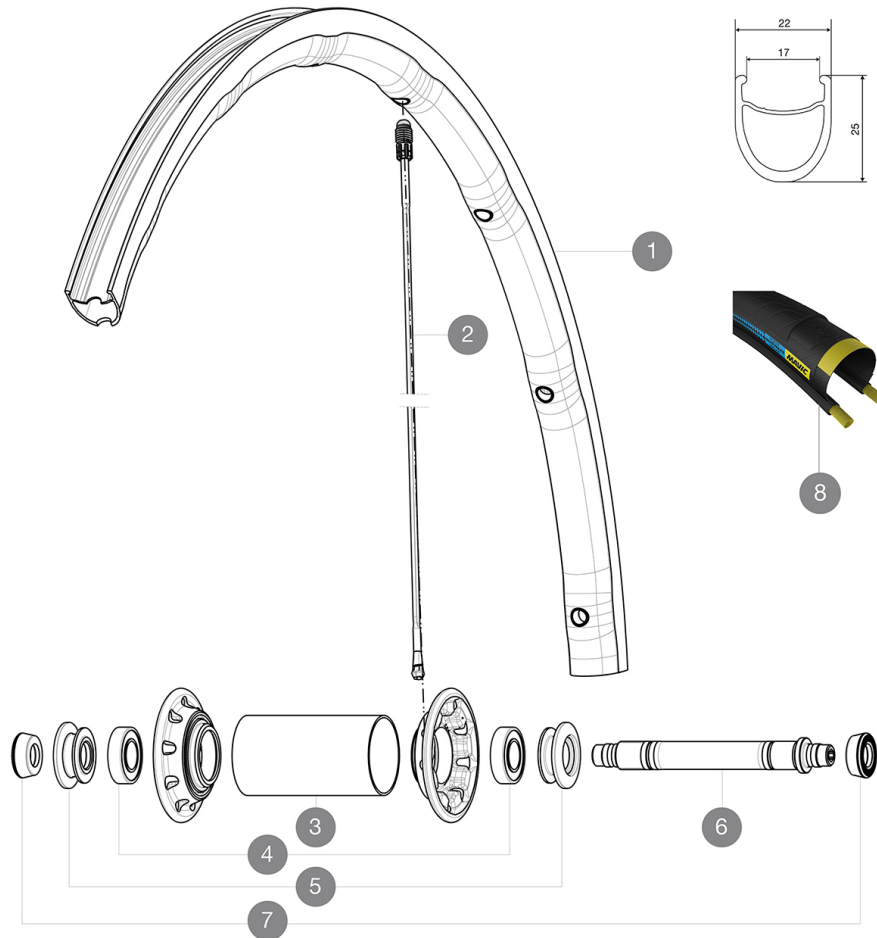


MAVIC *Ksyrium Pro Exalith HR*

ASTM CATEGORY 2 : road and offroad with jumps less than 15cm
 Recommended weight limit : 120kg
 Recommended tire sizes: 25 to 32 mm
 Max. Pressure: 25mm 7.7 bars - 110 PSI

REFERENCES WHEELS

F70871 KsyriumProExalith HR Ft

**RIMS**VALVE HOLE \bar{A} (MM): 6.5 :

| | | |
|---|----------|---|
| 1 | V2409610 | KIT FRONT RIM KSYRIUM PRO EXALITH HAUTE ROUTE |
|---|----------|---|

SPOKES

| | | |
|---|----------|---|
| 2 | V2274801 | KIT 1 FT 282.5/1 DS 273.5 SPK KSY PRO EXAL HR - while stock |
| 2 | V2270601 | KIT 9 FT KSY SLR/K125/PRO EXA SPK 282,5mm |

HUB SHELLS

| | | |
|---|----------|--|
| 3 | N/A | HUB BODY |
| 4 | M40078 | FRONT HUB BEARINGS 6901 x 2 |
| 5 | M40759 | ADJUSTING BEARING NUT + FRONT CAP |
| 6 | 32999801 | FRONT AXLE KIT R-SYS/KSYRIUM SL/SLS 2013 |

TYRES



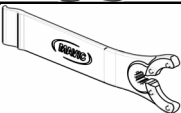

| | | |
|---|----------|----------------------|
| 8 | 39435925 | YksionProGripLink HR |
|---|----------|----------------------|

ADAPTERS

| | | |
|---|----------|---|
| 7 | 35117301 | FT/RR FORK REST R-SYS/CC ULTIMATE > 2013/KSY PRO CARB T |
|---|----------|---|

MAVIC Ksyrium Pro Exalith HR

DELIVERED WITH

| | |
|---|---|
| BR601 quick releases (V24 501 01 frt, V24 502 01 rear) 1 |  |
| Exalith brake pads (V24 703 01 Shimano/Sram, V24 704 01 Campagnolo) 1 |  |
| Multifonction adjustment wrench (325 423 01) 1 |  |
| Wheelbag (V24 801 01) 1 |  |
| User guide | |

COMPATIBILITY

| | |
|--|--|
| Freewheel: Shimano/Sram, convertible to Campagnolo with optional driver body | |
| Front axle: Quick Release only | |
| Rear axle: Quick Release only | |

Specifications

RIMS

- **Material** : Maxtal
- **Height** : front 24mm, rear 26 asymmetrical
- **Joint** : SUP
- **Drilling** : Fore
- **Brake track** : Exalith 2
- **Weight reduction** : ISM 4D
- **Valve hole diameter** : 6.5 mm
- **Tire** : clincher
- **Internal width** : 17 mm
- **ETRTO size** : 622x17C

SPOKES

- **Material** : Zicral
- **Shape** : straight pull, bladed, front double butted
- **Nipples** : Fore integrated aluminum
- **Count** : front 18, rear 20
- **Lacing** : front radial, rear Isopulse

WHEEL HUB

- **Rear body** : aluminum
 - **Front body** : carbon with aluminum flanges
 - **Axle material** : aluminum
- Adjustable sealed cartridge bearings
- **Freewheel** : FTS-L steel

VERSIONS

- **Color** : Black only

WHEEL WEIGHTS

Wheel weight