

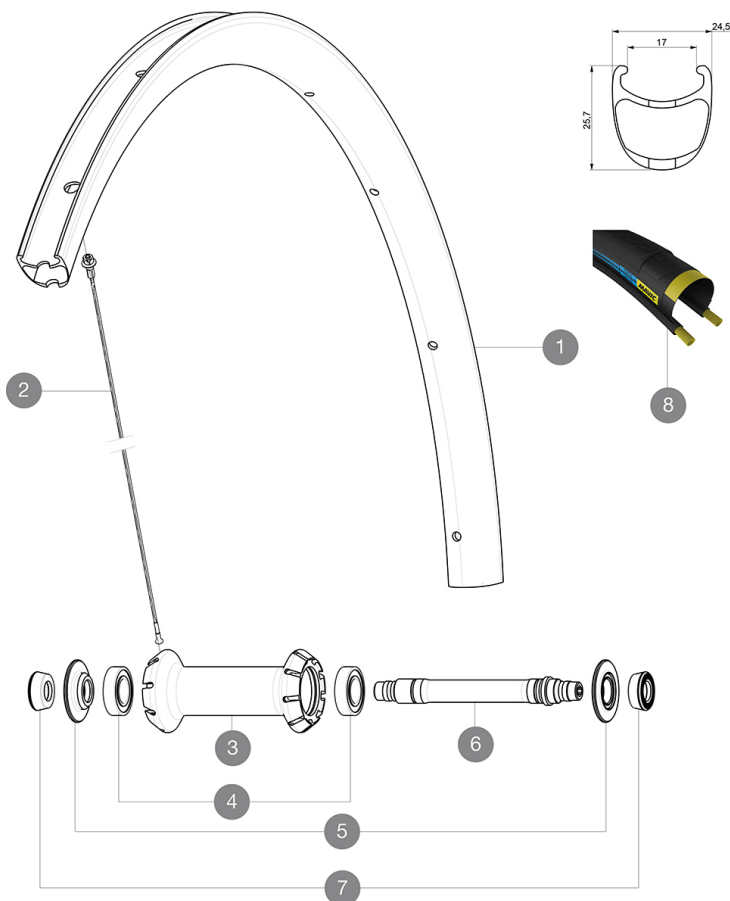
ASTM CATEGORY 1 : road only

For a longer longevity of the wheel, Mavic recommends that the total weight supported by the wheels don't exceed 120kg, bike included

Recommended tyre sizes: 25 to 32 mm
Max. Pressure: 25mm 7.7 bars - 110 PSI

参照ホイール

F71131 KsyProCarbSLC HR Ft SV



RIMS



バルブ穴径 (MM) : 6,5 :

1	V2737310	KIT FRONT RIM KSYRIUM PRO CARBON SL UST
1	V2409410	KIT FRT RIM KSYRIUM PRO CARBON SL Clinch HR - while stock la
	V3720101	25mm UST Tape for 19 to 22mm Road Rims
	V2690101	KIT CARBON RIM TAPE 21x622mm (SPECIAL RIM TAPE)

SPOKES

2	V2271301	KIT 9 FT KSYRIUM PRO CARB SL C/T SPK 287mm - while stock las
2	V3663801	KIT 12 FRT KSYR PRO CARB SL C/UST/T & NDS COSMIC PRO CARB
2	V2273101	Kit 1 FRT 285mm + 1 FRT 291mm + 1 RR DRIVE SIDE 273mm ZICRAL

HUB SHELLS

3	N/A	HUB BODY
3	N/A	HUB BODY
4	M40131	KIT BEARINGS FRONT 12x24x6 6901 (IO track)
4	V2540201	KIT 2 FRONT BEARINGS 12x24x6 CERAMIC - while stock last
5	V2252501	FRONT SETTING NUT & DUST PROTECTOR MY16
6	30870001	FRONT AXLE ROAD RIM BRAKING QRM +

TYRES

8	39435925	Yksion Pro GripLink HR
---	----------	------------------------



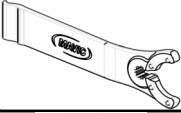

ADAPTERS

7	35117301	FRONT OR REAR FORK REST KIT R-SYS 2013
---	----------	--



Ksyrium Pro Carbon SL C HR

付属品

BR601 quick releases (V24 501 01 frt, V24 502 01 rear) 1	
Carbon brake pads (V24 603 01 Shimano/Sram, V24 604 01 Campagnolo) 1 pair	
Rim tape	
Multifunction adjustment wrench (325 423 01) 1	
"Haute Route" special edition wheelbags 1	
User guide	

COMPATIBILITY

Freewheel: Shimano/Sram or Campagnolo, convertible to XD-R with optional driver body	
Front axle: Quick Release only	
Rear axle: Quick Release only	

Specifications

リム

- Material : 3K carbon fibers
- Height : 25mm
- Drilling : traditional
- Brake track : carbon with TgMAX technology
- Brake track : carbon
- Valve hole diameter : 6.5 mm
- Tyre : clincher
- Internal width : 17 mm
- ETRTO size : 622x17C

スポーク

- Material : steel
- Shape : straight pull, bladed, double butted
- Nipples : aluminum, ABS
- Count : front 18, rear 24
- Lacing : front radial, rear Isopulse

ホイールハブ

- Front and rear bodies : aluminum
- Axle material : aluminum
- High quality ceramic bearings by CeramicSpeed (R)
- Freewheel : Instant Drive 360

VERSIONS

- Color : Black only

ホイールの重み

ホイール重量 (クイックリリースおよびクリンチャー/チューブラーを除く) (g) : 615