

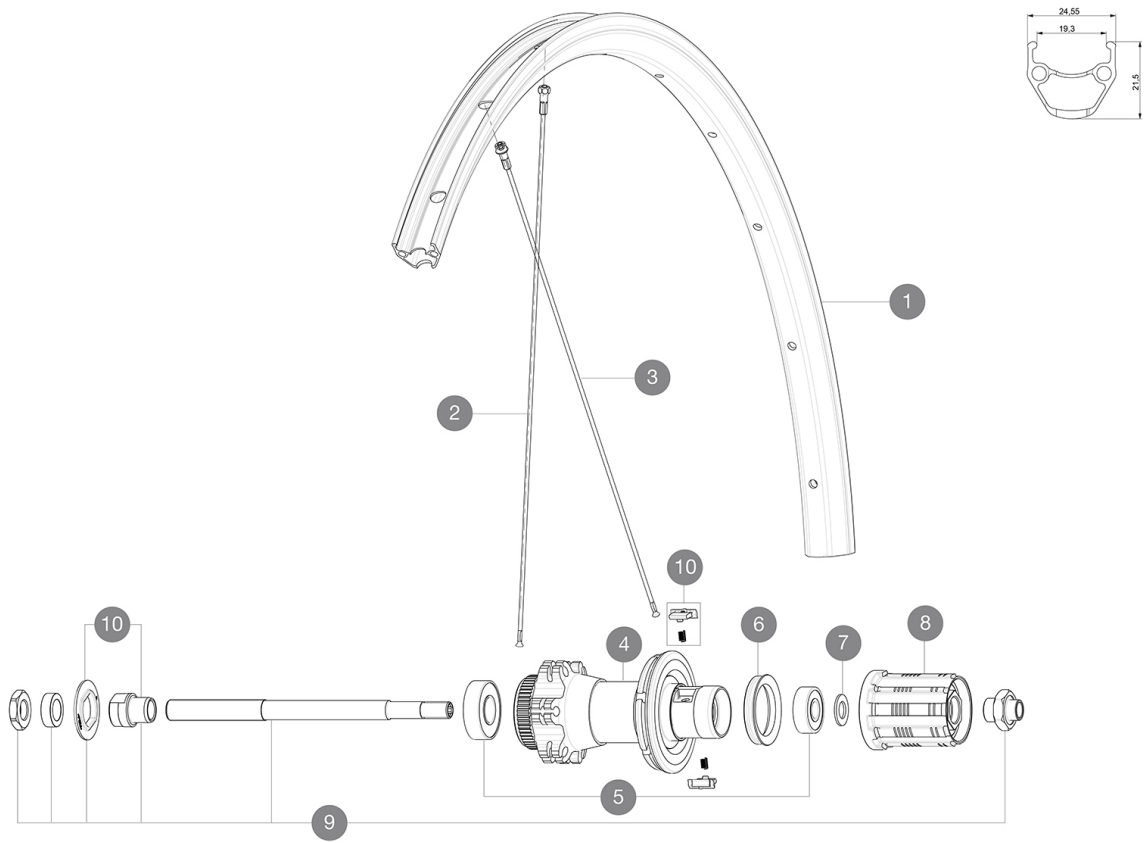


# Aksium Disc Allroad 650b

## 参照ホイール

R99051 AksAlrdDCL650bRr QRx135 M11

ASTM CATEGORY 2 : road and offroad with jumps less than 15cm  
 For a longer longevity of the wheel, Mavic recommends that the total weight supported by the wheels don't exceed 120kg, bike included  
 Recommended tyre sizes: 25 to 32 mm  
 28mm 7.7 bars - 110 psi, 30mm 5.8 bars - 85 psi



### RIMS



&NBSP;:

1	V2730415	KIT FRONT/REAR RIM AKSIUM ALLROAD 650B
---	----------	--

### SPOKES

2	36690101	"12 SPOKES FRONT/OPP DRIVE SIDE CROSSONE 650b/27,5"
3	36690201	"12 SPOKES DRIVE SIDE CROSSRONE 650b/27,5" 276mm"

### HUB SHELLS

5	M40660	REAR HUB 608+6001 BEARINGS
6	99500001	FTSL/FTSX FREEHUB BODY SEAL
7	M40067	10 SPACERS FRW/HUB BODY
8	30871101	FTS-L FREEWHEEL BODY HG11 2013 (8 or 9mm axle compatible)
9	99603901	REAR AXLE KSYRIUM EQUIPE 08
10	99603801	SHORT EXPENSIBLE BEARING SUPPORTS > 2008



# Aksium Disc Allroad 650b

## 付属品

BR101 quick releases (M40350 frt, M40351 rear road, M40352 rear MTB) 1	
BR101 quick releases (M40350 frt, M40351 rear road, M40352 rear MTB) 1	
Rim tape	
Rim tape	
User guide	
User guide	

## COMPATIBILITY

Freewheel: Shimano/Sram, convertible to Campagnolo with optional driver body	
Freewheel: Shimano/Sram, convertible to Campagnolo with optional driver body	
Front axle: Quick Release only	
Front axle: Quick Release only	
Rear axle: Quick Release only	
Rear axle: Quick Release only	

## Specifications

### リム

- Material : S6000 Aluminum
- Material : S6000 Aluminum
- Height : 21 mm
- Height : 21 mm
- Joint : pinned
- Joint : pinned
- Drilling : traditional with H2 reinforcement
- Drilling : traditional with H2 reinforcement
- Disc brake specific profile
- Disc brake specific profile
- Valve hole diameter : 6.5 mm
- Valve hole diameter : 6.5 mm
- Tyre : clincher
- Tyre : clincher
- Internal width : 19 mm
- Internal width : 19 mm
- ETRTO size : 584x19C
- ETRTO size : 584x19C

### スポーク

- Material : steel
- Material : steel
- Shape : straight pull, round
- Shape : straight pull, round
- ABS
- Nipples : steel, ABS
- Nipples : steel, ABS
- Count : 24 front and rear
- Count : 24 front and rear
- Lacing : front and rear crossed 2
- Lacing : front and rear crossed 2

### ホイールハブ

- Front and rear bodies : aluminum
- Front and rear bodies : aluminum
- Axle material : steel
- Axle material : steel
- Sealed cartridge bearings
- Auto
- Freewheel : FTS-L steel
- Freewheel : FTS-L steel

### VERSIONS

- Color : Black only
- Color : Black only
- Disc standard : 6 Bolts or Center Lock(R)
- Disc standard : 6 Bolts or Center Lock(R)

### ホイールの重み

ホイール重量 ( クイックリリー  
スおよびクリンチャー/チュー  
ブラーを除く ) ( g ) :