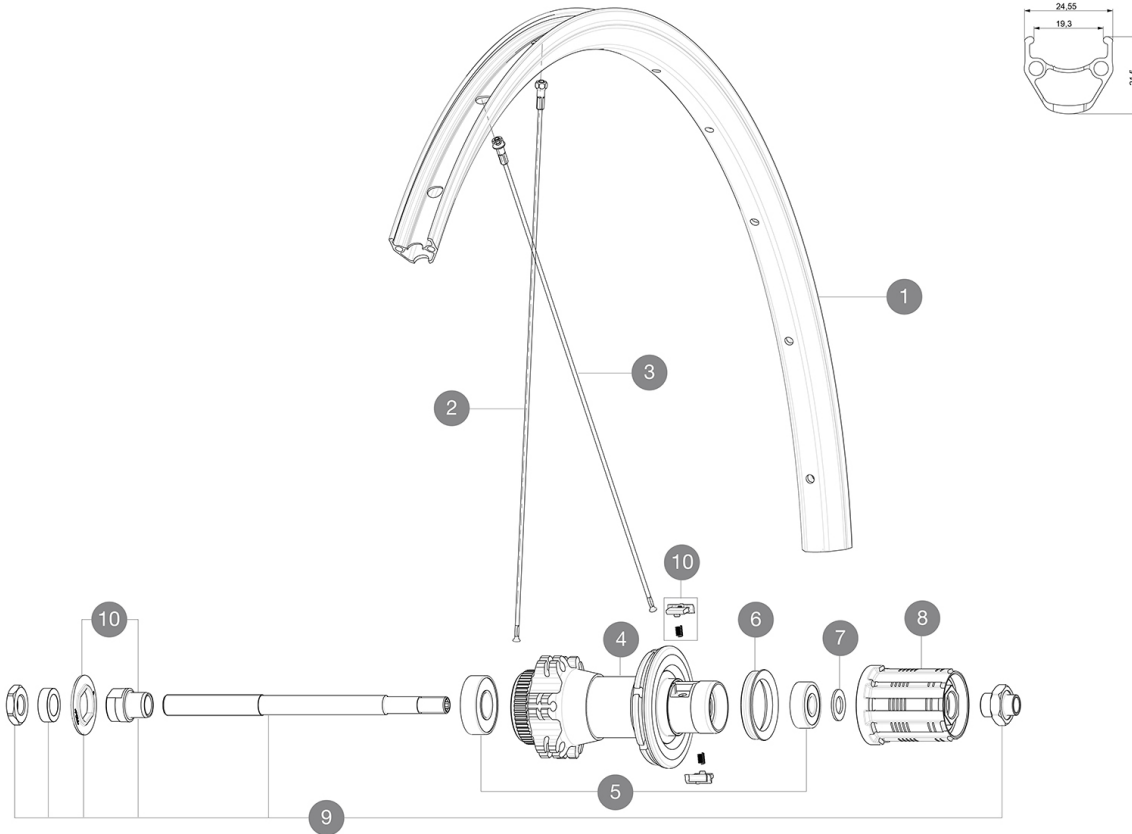


MAVIC **Aksium Disc Allroad 650b**

ASTM CATEGORY 2 : road and offroad with jumps less than 15cm
 Recommended weight limit : 120kg
 Recommended tire sizes: 25 to 32 mm
 Max. Pressure: 30mm 5.8 bars - 85 PSI / 40mm 4.5 bars - 65 PSI

REFERENCES WHEELS

R99051 AksAIRDCL650bRr QRx135 M11

**RIMS**

&NBSP;:

1	V2730415	KIT FRONT/REAR RIM AKSIUM ALLROAD 650B
---	----------	--



SPOKES

2	36690101	"KIT 12 FT/NDS CROSSONE/CROSSMAX/XA 27,5"" SPK 278mm"
3	36690201	"KIT 12 DS XONE/CROSSRIDE FTSX/CROSSMAX/XA 27,5"" SPK 276mm"

HUB SHELLS

5	M40660	REAR HUB 608+6001 BEARINGS
6	99500001	FTSL/FTSX FREEHUB BODY SEAL
7	M40067	INTERNAL FREEWHEEL SPACER FTSL/FTSX
8	30871101	FTS-L ROAD FREEWHEEL BODY HG11 8/9 compatible
9	99603901	REAR AXLE QRM ROAD 2008
10	99603801	SHORT EXPENSIBLE BEARING SUPPORTS > 2008

DELIVERED WITH

BR101 quick releases (M40350 firt, M40351 rear road, M40352 rear MTB) 1	
BR101 quick releases (M40350 firt, M40351 rear road, M40352 rear MTB) 1	
Rim tape	
Rim tape	
User guide	
User guide	

COMPATIBILITY

Freewheel: Shimano/Sram, convertible to Campagnolo with optional driver body	
Freewheel: Shimano/Sram, convertible to Campagnolo with optional driver body	
Front axle: Quick Release only	
Front axle: Quick Release only	
Rear axle: Quick Release only	
Rear axle: Quick Release only	

Specifications

RIMS

- Material : S6000 Aluminum
- Material : S6000 Aluminum
- Height : 21 mm
- Height : 21 mm
- Joint : pinned
- Joint : pinned
- Drilling : traditional with H2 reinforcement
- Drilling : traditional with H2 reinforcement
- Disc brake specific profile
- Disc brake specific profile
- Valve hole diameter : 6.5 mm
- Valve hole diameter : 6.5 mm
- Tire : clincher
- Tire : clincher
- Internal width : 19 mm
- Internal width : 19 mm
- ETRTO size : 584x19C
- ETRTO size : 584x19C

SPOKES

- Material : steel
- Material : steel
- Shape : straight pull, round
- Shape : straight pull, round
- Nipples : steel, ABS
- Nipples : steel, ABS
- Nipples : brass, ABS
- Count : 24 front and rear
- Count : 24 front and rear
- Lacing : front and rear crossed 2
- Lacing : front and rear crossed 2

WHEEL HUB

- Front and rear bodies : aluminum
- Front and rear bodies : aluminum
- Axle material : steel
- Axle material : steel
- Sealed cartridge bearings
- Front bearings : sealed cartridge bearings (QRM), Rear bearings auto adjust sealed cartridge bearings (QRM Auto)
- Freewheel : FTS-L steel
- Freewheel : FTS-L steel

VERSIONS

- Color : Black only
- Color : Black only
- Disc standard : 6 Bolts or Center Lock(R)
- Disc standard : 6 Bolts or Center Lock(R)

WHEEL WEIGHTS

Wheel weight