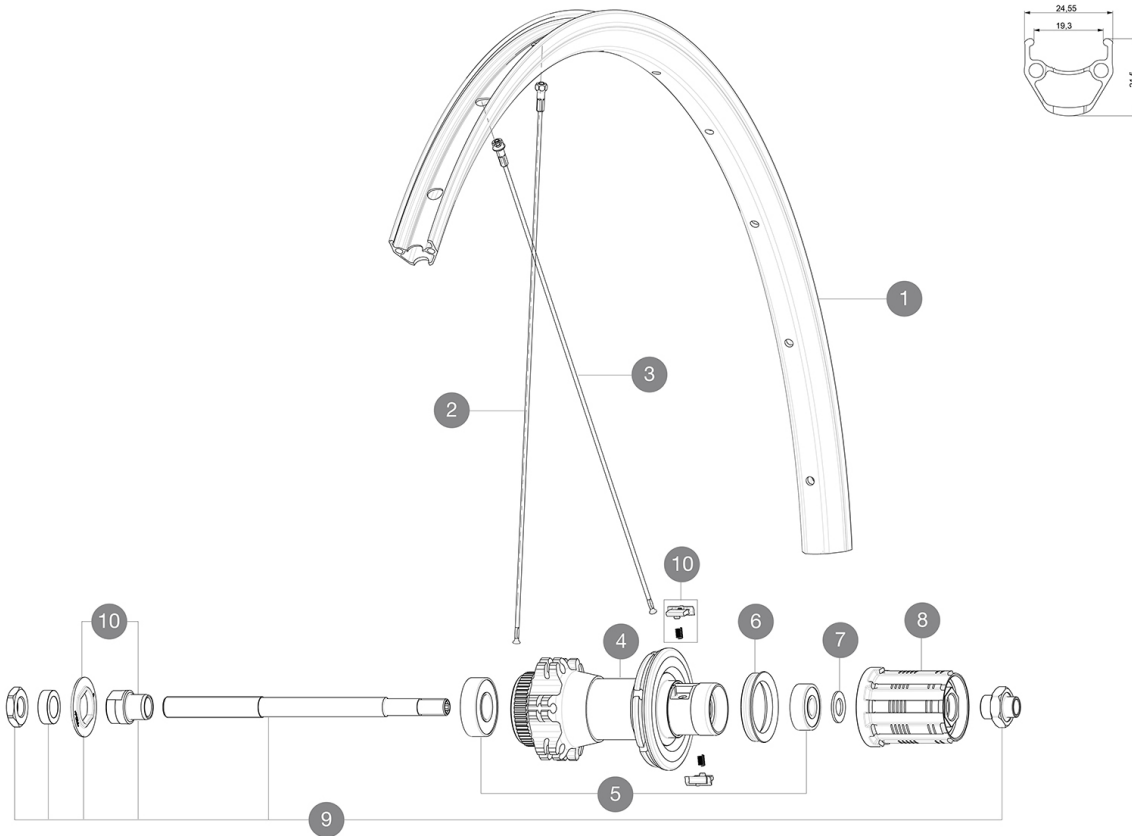


MAVIC **Aksium Disc Allroad 650b**

ASTM CATEGORY 2 : road and offroad with jumps less than 15cm
 Recommended weight limit : 120kg
 Recommended tire sizes: 25 to 32 mm
 Max. Pressure: 30mm 5.8 bars - 85 PSI / 40mm 4.5 bars - 65 PSI

REFERENCES WHEELS

R99051 AksAIRDCL650bRr QRx135 M11

**RIMS**

&NBSP;:

| | | |
|---|----------|--|
| 1 | V2730415 | KIT FRONT/REAR RIM AKSIUM ALLROAD 650B |
|---|----------|--|

SPOKES

| | | |
|---|----------|--|
| 2 | 36690101 | "KIT 12 FT/NDS CROSSONE/CROSSMAX/XA 27,5"" SPK 278mm" |
| 3 | 36690201 | "KIT 12 DS XONE/CROSSRIDE FTSX/CROSSMAX/XA 27,5"" SPK 276mm" |

HUB SHELLS

| | | |
|----|----------|---|
| 5 | M40660 | REAR HUB 608+6001 BEARINGS |
| 6 | 99500001 | FTSL/FTSX FREEHUB BODY SEAL |
| 7 | M40067 | INTERNAL FREEWHEEL SPACER FTSL/FTSX |
| 8 | 30871101 | FTS-L ROAD FREEWHEEL BODY HG11 8/9 compatible |
| 9 | 99603901 | REAR AXLE QRM ROAD 2008 |
| 10 | 99603801 | SHORT EXPENSIBLE BEARING SUPPORTS > 2008 |

DELIVERED WITH

| | |
|---|--|
| BR101 quick releases (M40350 firt, M40351 rear road, M40352 rear MTB) 1 | |
| BR101 quick releases (M40350 firt, M40351 rear road, M40352 rear MTB) 1 | |
| Rim tape | |
| Rim tape | |
| User guide | |
| User guide | |

COMPATIBILITY

| | |
|--|--|
| Freewheel: Shimano/Sram, convertible to Campagnolo with optional driver body | |
| Freewheel: Shimano/Sram, convertible to Campagnolo with optional driver body | |
| Front axle: Quick Release only | |
| Front axle: Quick Release only | |
| Rear axle: Quick Release only | |
| Rear axle: Quick Release only | |

Specifications

RIMS

- **Material** : S6000 Aluminum
- **Material** : S6000 Aluminum
- **Height** : 21 mm
- **Height** : 21 mm
- **Joint** : pinned
- **Joint** : pinned
- **Drilling** : traditional with H2 reinforcement
- **Drilling** : traditional with H2 reinforcement
- Disc brake specific profile
- Disc brake specific profile
- **Valve hole diameter** : 6.5 mm
- **Valve hole diameter** : 6.5 mm
- **Tire** : clincher
- **Tire** : clincher
- **Internal width** : 19 mm
- **Internal width** : 19 mm
- **ETRTO size** : 584x19C
- **ETRTO size** : 584x19C

SPOKES

- **Material** : steel
- **Material** : steel
- **Shape** : straight pull, round
- **Shape** : straight pull, round
- **Nipples** : brass, ABS
- **Nipples** : steel, ABS
- **Nipples** : steel, ABS
- **Count** : 24 front and rear
- **Count** : 24 front and rear
- **Lacing** : front and rear crossed 2
- **Lacing** : front and rear crossed 2

WHEEL HUB

- **Front and rear bodies** : aluminum
- **Front and rear bodies** : aluminum
- **Axle material** : steel
- **Axle material** : steel
- **Front bearings** : sealed cartridge bearings (QRM), Rear bearings auto adjust sealed cartridge bearings (QRM Auto)
- Sealed cartridge bearings
- **Freewheel** : FTS-L steel
- **Freewheel** : FTS-L steel

VERSIONS

- **Color** : Black only
- **Color** : Black only
- **Disc standard** : 6 Bolts or Center Lock(R)
- **Disc standard** : 6 Bolts or Center Lock(R)

WHEEL WEIGHTS

Wheel weight