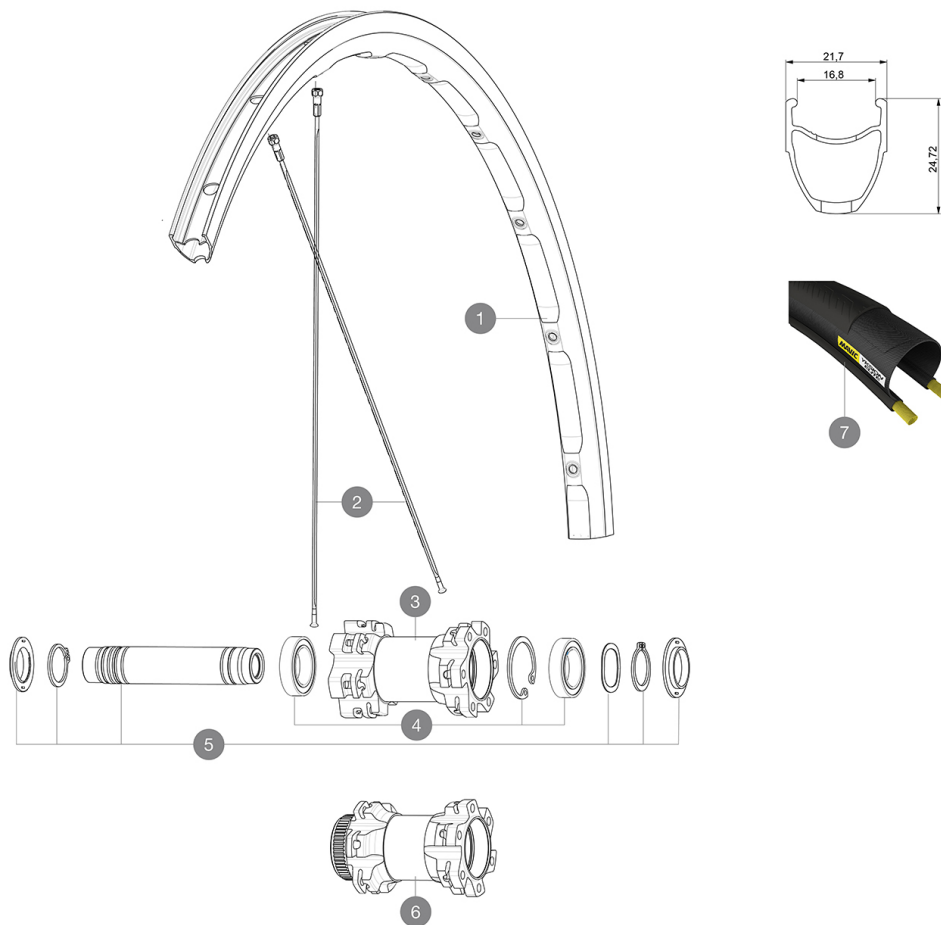


ASTM CATEGORY 2 : road and offroad with jumps less than 15cm
 For a longer longevity of the wheel, Mavic recommends that the total weight supported by the wheels don't exceed 120kg, bike included
 Recommended tyre sizes: 25 to 32 mm
 Max. Pressure: 23mm 8.7 bars - 125 psi, 25/28mm 7.7 bars - 110 psi

REFERENCES WHEELS

| | | | |
|--------|--------------------|--------|--------------------|
| F73911 | Ksy18 D6BF12x100SR | F73921 | Ksy18 DCLF12x100SR |
|--------|--------------------|--------|--------------------|



RIMS



&NBSP;:

| | | |
|---|----------|---|
| 1 | V2734315 | KIT FRONT/REAR RIM KSYRIUM DISC 18 - while stock last |
| 1 | V2409315 | KIT FRONT/REAR RIM KSYRIUM DISC 17C |

SPOKES

| | | |
|---|----------|---|
| 2 | V3660401 | KIT 12 FT/NDS KSYRIUM DISC FLAT SPOKE 291mm |
|---|----------|---|

HUB SHELLS

| | | |
|---|----------|--|
| 3 | N/A | HUB BODY |
| 4 | 99688501 | BEARING KIT 9/12/15 D6T HUB 20x32x7 6804 |
| 5 | V2371801 | KIT FRONT AXLE 12mm L1 + WAVED WASHER + CLIP |
| 6 | N/A | HUB BODY |

OPTIONS

| | |
|----------|---|
| V2371901 | KIT FRONT AXLE MTB L1 QRM AUTO 15x100mm |
|----------|---|

TYRES

| | | |
|---|----------|--------------|
| 7 | 37805725 | Yksion Elite |
|---|----------|--------------|

ADAPTERS

| | |
|----------|--|
| V2390801 | KIT 2 FORK RESTS FRONT AXLE MTB QRM AUTO |
| V2680301 | "Kit Ft Road Adapter 12 >> 9mm" |

MAVIC Ksyrium Disc

DELIVERED WITH

| | |
|------------|--|
| Rim tape | |
| User guide | |

COMPATIBILITY

| | |
|--|--|
| Freewheel: Shimano/Sram, convertible to Campagnolo and XD-R with optional driver bodies | |
| Front axle: 12mm thru axle. Optional: Easily convertible to quick release with adequate adapters, convertible to 15mm with complete axle replacement | |
| Rear axle: 12mm thru axle, convertible to Quick Release with optional adapters (not available in Germany) | |

Specifications

RIMS

- **Material** : S6000 Aluminum
- **Height** : 24 mm
- **Joint** : SUP
- **Drilling** : traditional with H2 reinforcement

Disc brake specific profile

- **Weight reduction** : ISM
- **Valve hole diameter** : 6.5 mm
- **Tyre** : clincher
- **Internal width** : 17 mm
- **ETRTO size** : 622x17C

SPOKES

- **Material** : steel
- **Shape** : straight pull, bladed
- **Nipples** : steel, ABS
- **Count** : 24 front and rear
- **Lacing** : front and rear crossed 2

WHEEL HUB

- **Front and rear bodies** : aluminum
 - **Axle material** : aluminum
- Auto adjust sealed cartridge bearings (QRM Auto)
- **Freewheel** : Instant Drive 360 steel

VERSIONS

- **Color** : Black only
- **Disc standard** : 6 Bolts or Center Lock(R)

WHEEL WEIGHTS

845