

ASTM CATEGORY 1 : road only

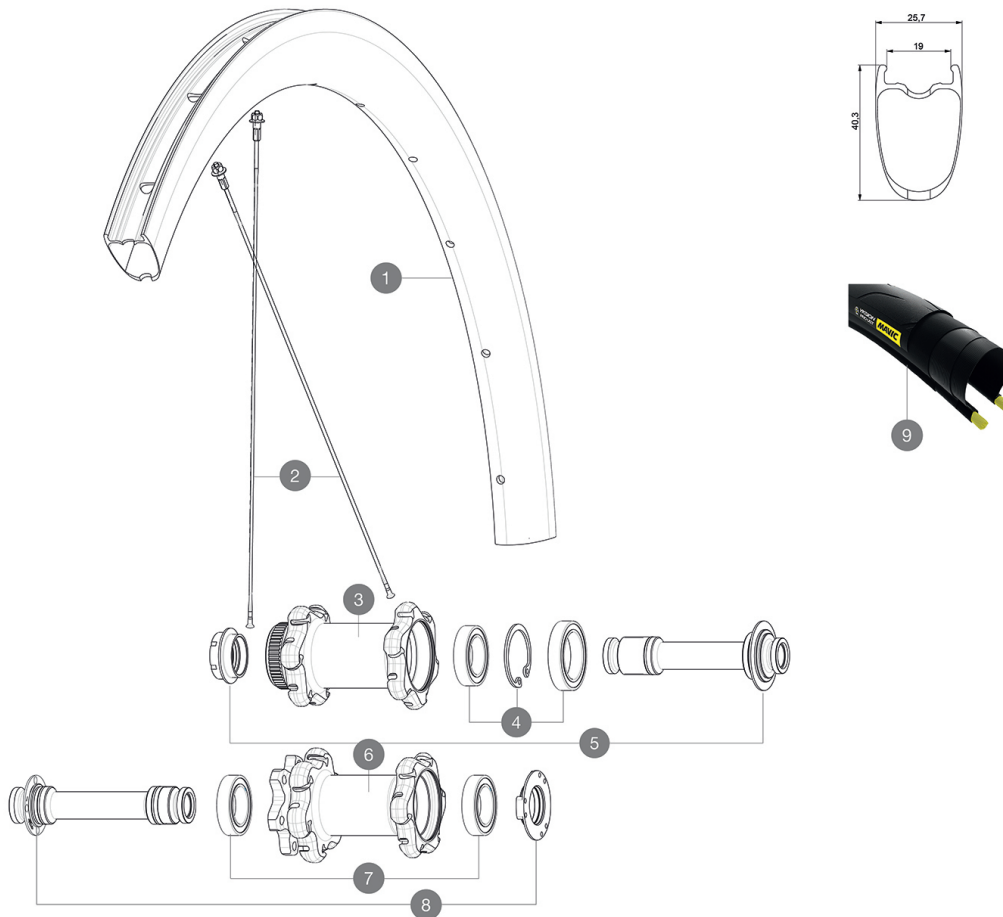
For a longer longevity of the wheel, Mavic recommends that the total weight supported by the wheels don't exceed 120kg, bike included

Recommended tyre sizes: 25 to 32 mm

Max. Pressure tubeless: 25mm 6 bars - 87 PSI, 28mm 5 bars - 70 PSI. Max pressure tubetype: 25mm 7 bars - 102 PSI

## REFERENCES WHEELS

|        |                            |        |                            |
|--------|----------------------------|--------|----------------------------|
| F73451 | CosProCarbSLUSTD6B12x100Ft | F73461 | CosProCarbSLUSTDCL12x100Ft |
|--------|----------------------------|--------|----------------------------|



## RIMS



&NBSP;:

|   |          |   |
|---|----------|---|
| 1 | V2733210 | KIT FRONT RIM COSMIC PRO CARBON SL UST DISC |
|   | V2620101 | UST RIM TAPE 25mm (for 21-24mm wide rim)    |

## SPOKES

|   |          |  |
|---|----------|--|
| 2 | V3663001 | KIT 12 FRT/NDS COSMIC PRO CARB SL UST/UST Disc C/C Disc/T Di |
| 2 | V2271201 | KIT 12 NDS COS PRO CARB SL/FT SL D/FT & NDS UST & UST D SPK  |
| 2 | V3660601 | KIT 1 FT/RR NDS 278/1 FT 271 CPC SL C/C DISC SPK             |

## HUB SHELLS

|   |          |  |
|---|----------|--|
| 3 | N/A      | HUB BODY   |
| 4 | 99688601 | BEARING KIT 9/15 DCL HUB 20x32x7 6804 + 25x37x7 6805 |
| 5 | V2390701 | KIT FRONT 12mm AXLE QRM+ CL                          |
| 6 | N/A      | HUB BODY   |
| 7 | V2560401 | KIT 2 BEARINGS 17x28x7 + WAVED WASHER + CLIP         |
| 8 | V2390601 | KIT FRONT 12mm AXLE QRM+ 6B                          |

## OPTIONS

|          |   |
|----------|---|
| V2252401 | KIT MY16 FRONT AXLE ROAD DISC 9/12/15 CL  |
| V2252301 | KIT MY16 FRONT AXLE ROAD DISC 9/12/15 INT |

## TYRES

|   |          |                       |
|---|----------|-----------------------|
| 9 | 39938825 | Yksion Pro UST 700x25 |
|---|----------|-----------------------|

## ADAPTERS

|          |                                 |
|----------|---------------------------------|
| B4104401 | ADAPTER Ft 15mm QRM+            |
| V2680301 | "Kit Ft Road Adapter 12 >> 9mm" |

# MAVIC Cosmic Pro Carbon SL UST Disc

## DELIVERED WITH

|   |  |
|---|--|
| Mavic tyre sealant (rear wheel)<br>(355 466 01) |  |
| Tyre sealant syringe                            |  |
| UST valve and accessories<br>(129 838 01)       |  |
| Specific disc bolts<br>(308 719 01)             |  |
| Tubeless rim tape                               |  |
| Multifunction adjustment wrench<br>(325 423 01) |  |
| User guide                                      |  |

## COMPATIBILITY

|  |  |
|--|--|
| Freewheel: Shimano/Sram, convertible to Campagnolo and XD-R with optional driver bodies  |  |
| Front axle: 12mm thru axle. Optional: Easily convertible to quick release with adequate adapters, convertible to 15mm with complete axle replacement |  |
| Rear axle: 12mm thru axle, convertible to Quick Release with optional adapters (not available in Germany)  |  |

## Specifications

### RIMS

- **Material** : 3K carbon fibers
  - **Height** : 40 mm
  - **Drilling** : traditional
- Disc brake specific profile
- **Valve hole diameter** : 6.5 mm
  - **Tyre** : UST Tubeless and tubetype
  - **Internal width** : 19 mm
  - **ETRTO size** : 622x19TC Road

### SPOKES

- **Material** : steel
- **Shape** : straight pull, aero, double butted
- **Nipples** : aluminum, ABS
- **Count** : 24 front and rear
- **Lacing** : front crossed 2, rear Isopulse

### WHEEL HUB

- **Front and rear bodies** : aluminum
- **Axle material** : aluminum
- **Front bearings** : adjustable sealed cartridge bearings (QRM+), Rear bearings auto adjust sealed cartridge bearings (QRM Auto)
- **Freewheel** : Instant Drive 360

### VERSIONS

- **Color** : Black only
- **Disc standard** : 6 Bolts or Center Lock(R)

### WHEEL WEIGHTS

750