

MAVIC Ksyrium Pro Carbon SL UST Disc

ASTM CATEGORY 1 : road only

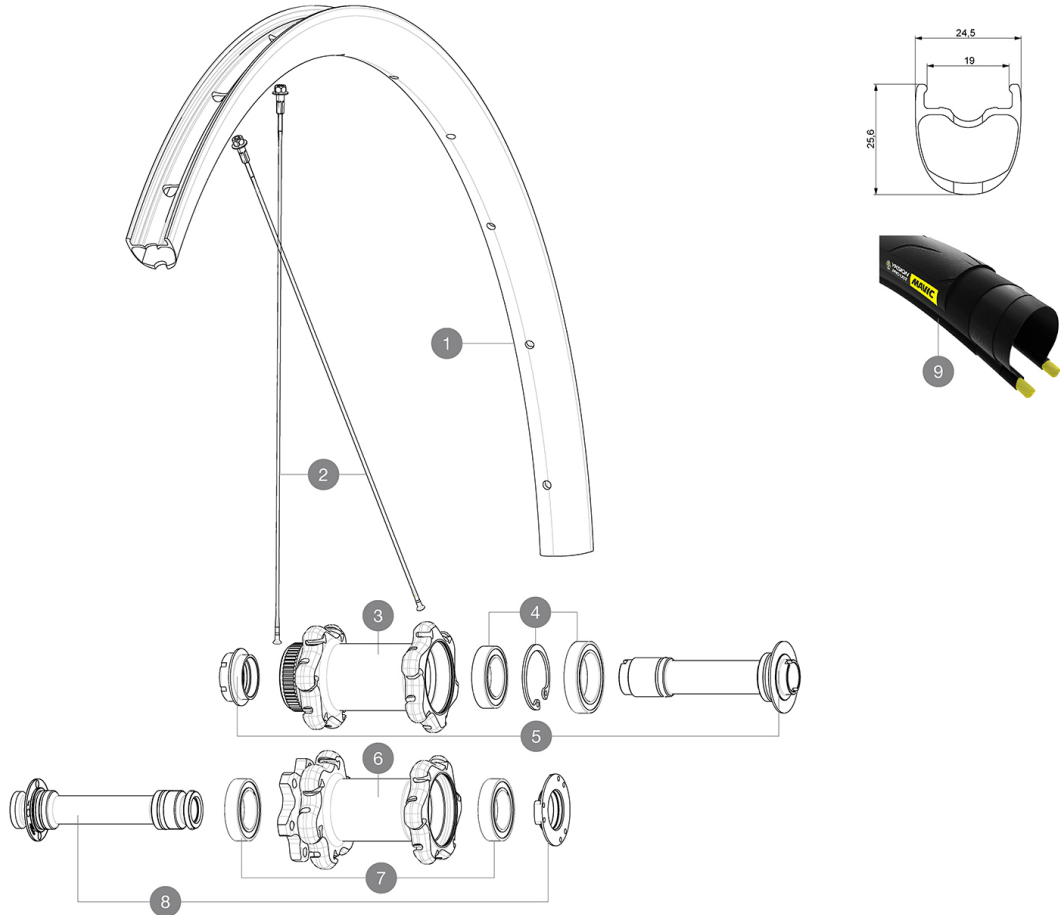
For a longer longevity of the wheel, Mavic recommends that the total weight supported by the wheels don't exceed 120kg, bike included

Recommended tyre sizes: 25 to 32 mm

Max. Pressure tubeless: 25mm 6 bars - 87 PSI, 28mm 5 bars - 70 PSI. Max pressure tubetype: 25mm 7 bars - 102 PSI

REFERENCES WHEELS

F74291	KsyProCarSLUSTD6BF12x100	F74301	KsyProCarSLUSTDCLF12x100
P84801	KsyProCarSLUSTDCLP12mm		



RIMS



&NBSP;:

1	V2734010	KIT FRONT RIM KSYRIUM PRO CARBON SL UST DISC
	V2620101	UST RIM TAPE 25mm (for 21-24mm wide rim)

SPOKES

2	V3661101	KIT 1 FT/RR NDS 291mm KPC SL UST DISC SPK + ALU NIPPLES
2	V3663301	KIT 12 FRT KSYR PRO CARB SL UST Disc + NDS KSYR PRO CARB SL
2	V3661201	KIT 12 FR/NDS KSYPROCARB SL UST D/RB 291mm SPK+ALU NIPP - wh

HUB SHELLS

3	N/A	HUB BODY
4	99688601	BEARING KIT 9/15 DCL HUB 20x32x7 6804 + 25x37x7 6805
5	V2390701	KIT FRONT 12mm AXLE QRM+ CL
6	N/A	HUB BODY
7	M40076	HUB BEARINGS 17x30x7 6903 x 2
8	V2390601	KIT FRONT 12mm AXLE QRM+ 6B

OPTIONS

V2252401	KIT MY16 FRONT AXLE ROAD DISC 9/12/15 CL
V2252301	KIT MY16 FRONT AXLE ROAD DISC 9/12/15 INT

TYRES

9	39938825	Yksion Pro UST 700x25
---	----------	-----------------------

ADAPTERS

B4104401	ADAPTER Ft 15mm QRM+
V2680301	"Kit Ft Road Adapter 12 >> 9mm"

MAVIC Ksyrium Pro Carbon SL UST Disc

DELIVERED WITH

Mavic tyre sealant (rear wheel) (355 466 01)	
Tyre sealant syringe	
UST valve and accessories (129 838 01)	
Specific disc bolts (308 719 01)	
Tubeless rim tape	
Multifonction adjustment wrench (325 423 01)	
User guide	

COMPATIBILITY

Freewheel: Shimano/Sram, convertible to Campagnolo and XD-R with optional driver bodies	
Front axle : 12mm thru axle. Optional : Easily convertible to quick release with adequate adapters, convertible to 15mm with complete axle replacement	
Rear axle: 12mm thru axle, convertible to Quick Release with optional adapters (not available in Germany)	

Specifications

RIMS

- **Material** : 3K carbon fibers
 - **Height** : 25mm
 - **Drilling** : traditional
- Disc brake specific profile
- **Valve hole diameter** : 6.5 mm
 - **Tyre** : UST Tubeless and tubetype
 - **Internal width** : 19 mm
 - **ETRTO size** : 622x19TC Road

SPOKES

- **Material** : steel
- **Shape** : straight pull, aero, double butted
- **Nipples** : aluminum, ABS
- **Count** : 24 front and rear
- **Lacing** : front crossed 2, rear Isopulse

WHEEL HUB

- **Front and rear bodies** : aluminum
- **Axle material** : aluminum
- **Front bearings** : adjustable sealed cartridge bearings (QRM+), Rear bearings auto adjust sealed cartridge bearings (QRM Auto)
- **Freewheel** : Instant Drive 360

VERSIONS

- **Color** : Black only
- **Disc standard** : 6 Bolts or Center Lock(R)

WHEEL WEIGHTS

735