

MAVIC Crossmax Light

1
2018
FRONT

ASTM CATEGORY 3 : CROSS COUNTRY AND TRAIL RIDING

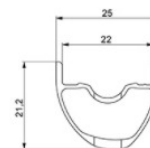
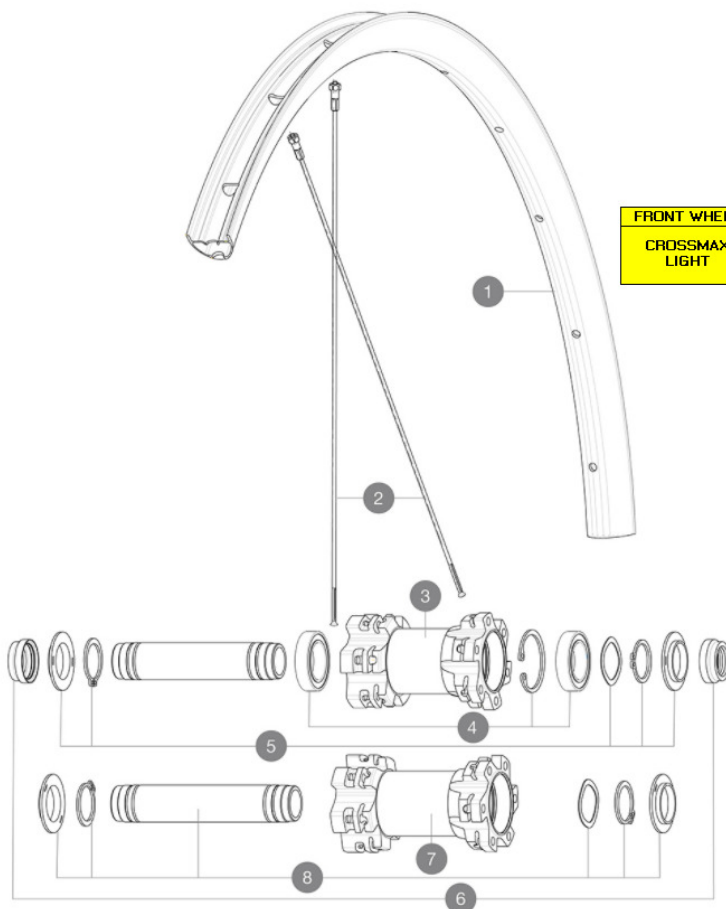
For a longer longevity of the wheel, Mavic recommends that the total weight supported by the wheels don't exceed 120kg, bike included

Recommended tyre sizes: 36 mm to 64 mm (1.4" to 2.5")

REFERENCES WHEELS

F80261 Xmx Light 27,5 Ft

F80271 Xmx Light 27,5 Ft Bst



FRONT WHEEL	N°	PARTS	REFERENCE	REFERENCE BOOST
CROSSMAX LIGHT	3 BIS / 7 BIS	HUB BODY	N/A	N/A
	5 BIS / 8 BIS	AXLE	V2372301	V2372401
	6 BIS	ADAPTORS	V2372501	

RIMS



&NBSP;:

1	V2318015 V2620101	KIT FRONT/REAR RIM CROSSMAX LIGHT 27,5" 22TSS UST RIM TAPE 25mm (for 21-24mm wide rim)
---	----------------------	---

SPOKES

2	V2385301	KIT 12 FT/NDS CROSSMAX LIGHT 27,5" SPK 278mm
---	----------	--

HUB SHELLS

3	N/A	HUB BODY
	N/A	HUB BODY
4	99688501	BEARING KIT 9/12/15 D6T HUB 20x32x7 6804
5	V2371901	KIT FRONT AXLE MTB L1 QRM AUTO 15x100mm
	V2372301	KIT 100mm AXLE QRM AUTO MTB > 2019
7	N/A	HUB BODY
	N/A	HUB BODY
8	V2372001	KIT FRONT AXLE MTB L1 QRM AUTO BOOST 15x110mm
	V2372401	KIT 110mm AXLE QRM AUTO MTB > 2019

ADAPTORS

6	V2390801 V2372501	KIT 2 FORK RESTS FRONT AXLE MTB QRM AUTO 15mm MTB Axle Cap QRM Auto From 2019
---	----------------------	--

MAVIC Crossmax Light

2018
FRONT

DELIVERED WITH

UST valve and accessories (129 838 01)	
Tubeless rim tape	
User guide	

COMPATIBILITY

Freewheel: Shimano/Sram or XD	
Front axle: convertible from 15mm thru axle to Quick Release with optional adapters	
Rear axle: 12mm thru axle, convertible to Quick Release with optional adapters	

Specifications

RIMS

- **Material** : S6000 Aluminum
- **Joint** : SUP
- **Drilling** : traditional
- **Valve hole diameter** : 6.5 mm
- **Tyre** : UST Tubeless and tubetype
- **Internal width** : 22 mm
- **ETRTO size 27.5"** : 584x22TSS
- **ETRTO size 29"** : 622x22TSS

Hookless profile

Use with Mavic Tubeless Tape

SPOKES

- **Material** : steel
- **Shape** : straight pull, round, double butted
- **Count** : 24 front and rear
- **Lacing** : front and rear crossed 2

WHEEL HUB

- **Front and rear bodies** : aluminum
- **Axle material** : aluminum
- **Front bearings** : auto adjust sealed cartridge bearings (QRM Auto), Rear bearings sealed cartridge bearings (QRM)
- **Freewheel** : TS-2 alloy

VERSIONS

- **Color** : Black only
- **Disc standard** : 6 Bolts only
- **Hub width** : Boost (front 110, rear 148) or Non-Boost (front 100, rear 135/142)

WHEEL WEIGHTS

Weight Front 27.5": 785

Weight Front 29": 825