

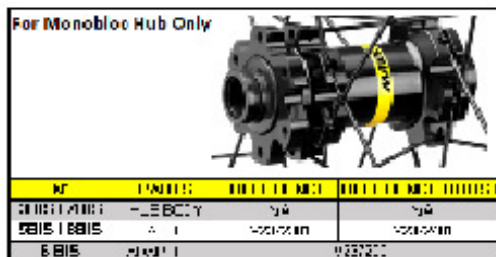
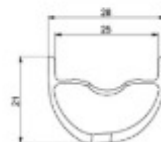
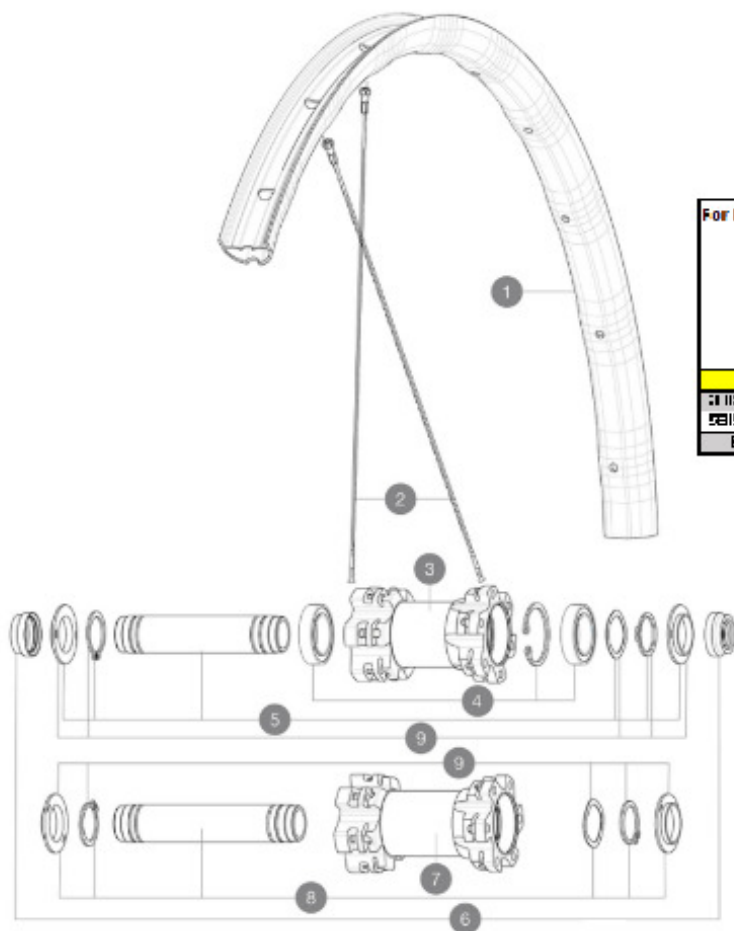
ASTM CATEGORY 3 : CROSS COUNTRY AND TRAIL RIDING

For a longer longevity of the wheel, Mavic recommends that the total weight supported by the wheels don't exceed 120kg, bike included

Recommended tyre sizes: 46mm to 64mm (1.8" to 2.5")

REFERENCES WHEELS

F80351 E-Xa Elite 27,5 Ft Bst



RIMS



&NBSP::

- | | | |
|---|----------------------|---|
| 1 | V2980115
V2700101 | KIT FT/RR RIM XA ELITE 27,5" 25mm BLACK TSS
UST Tape 28mm for 25 to 27mm wide rims |
|---|----------------------|---|

SPOKES

- | | | |
|---|----------|--|
| 2 | V2381101 | KIT 12 FT/NDS XRIDE UST/FT XMAX EL/XA EL 27,5" SPK 278mm |
|---|----------|--|

HUB SHELLS

- | | | |
|---|----------|---|
| 3 | N/A | HUB BODY |
| | N/A | HUB BODY |
| 4 | 99688501 | BEARING KIT 9/12/15 D6T HUB 20x32x7 6804 |
| 5 | V2371901 | KIT FRONT AXLE MTB L1 QRM AUTO 15x100mm |
| | V2372301 | KIT 100mm AXLE QRM AUTO MTB > 2019 |
| 7 | N/A | HUB BODY |
| | N/A | HUB BODY |
| 8 | V2372001 | KIT FRONT AXLE MTB L1 QRM AUTO BOOST 15x110mm |
| | V2372401 | KIT 110mm AXLE QRM AUTO MTB > 2019 |
| 9 | V2372701 | QRM AUTO FRONT AXLE ASSEMBLY KIT > 2018 |

OPTIONS

- | | |
|----------|--------------------------------|
| V2650301 | TorqueCapsAdaptMTB QRM Auto Ft |
|----------|--------------------------------|

ADAPTERS

- | | | |
|---|----------|--|
| 6 | V2390801 | KIT 2 FORK RESTS FRONT AXLE MTB QRM AUTO |
| | V2372501 | 15mm MTB Axle Cap QRM Auto From 2019 |
| | 99694101 | ADAPTER Ft 15 to 9mm QR |

MAVIC *E-XA Elite***DELIVERED WITH**

UST valve and accessories (129 838 01)	
Tubeless rim tape	
User guide	

COMPATIBILITY

Freewheel: Shimano/Sram or XD	
-------------------------------	--

Specifications**RIMS**

- **Material** : S6000 Aluminum
- **Joint** : SUP
- **Drilling** : traditional
- **Weight reduction** : ISM 4D
- **Valve hole diameter** : 6.5 mm
- **Tyre** : UST Tubeless and tubetype
- **Internal width** : 25 mm
- **ETRTO size 27.5"** : 584x25TSS
- **ETRTO size 29"** : 622x25TSS

Hookless profile

Use with Mavic Tubeless Tape

SPOKES

- **Material** : steel
- **Shape** : straight pull, bladed
- **Count** : 24 front and rear
- **Lacing** : front and rear crossed 2

WHEEL HUB

- **Front and rear bodies** : aluminum
 - **Axle material** : aluminum
- Auto adjust sealed cartridge bearings (QRM Auto)
- **Freewheel** : ITS-4 QRM Auto alloy

VERSIONS

- **Color** : Black only
- **Disc standard** : 6 Bolts only
- **Hub width** : Boost only (front 110, rear 148)

WHEEL WEIGHTS

Weight Front 27.5": 775

Weight Front 29": 815