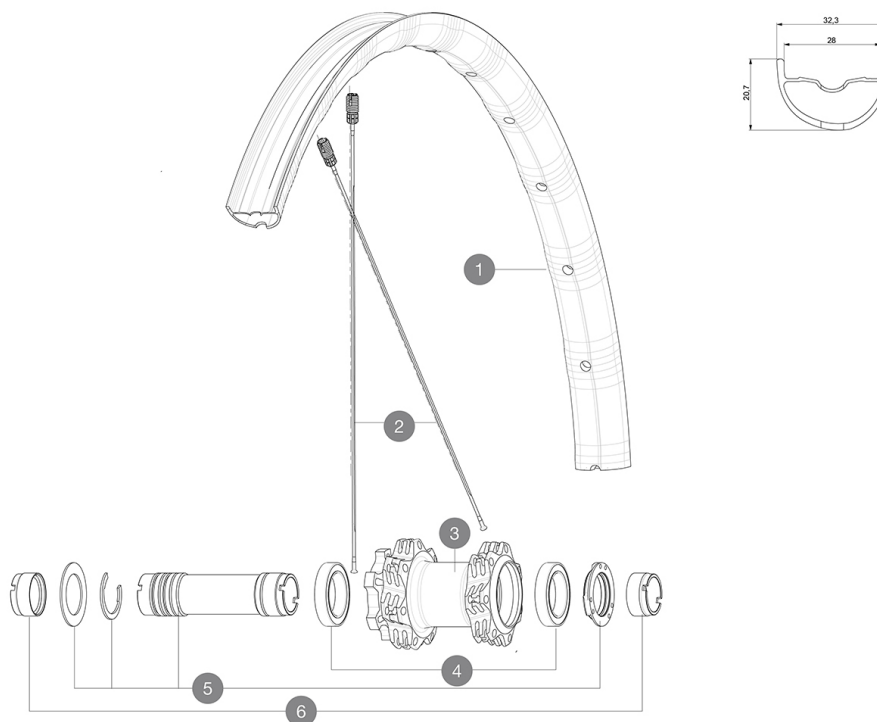


ASTM CATEGORY 5 : GRAVITY RIDING FOCUSED ON THE DESCENT  
Recommended tyre sizes: 50mm to 76mm (2.0" to 3.0")

## REFERENCES WHEELS

P84751 DmxDH27,518Pr

F73371 DmxDH1827,5Ft



## RIMS



&NBSP;:

1 V2318810 KIT FRONT RIM DEEMAX DH 27,5"

## SPOKES

2 V2385801 KIT 14 FRONT BUTTED FLAT SPOKES 285mm

## HUB SHELLS

3 N/A HUB BODY  
4 M40179 FRONT HUB BEARING KIT 20mm AXLE  
5 30870501 FRONT AXLE 20mm CROSSMAX + DEEMAX ULTI 2012

## ADAPTERS

6 12982901 ADAPTER Ft 20x110mm  
12982701 ADAPTER Ft 20 to 9mm QR incl.  
12982801 ADAPTER Ft 20 to 15mm

**MAVIC** *Deemax DH***DELIVERED WITH**

|   |  |
|---|--|
| UST valve and accessories<br>(129 838 01)       |  |
| UST valve and accessories<br>(129 838 01)       |  |
| Multifunction adjustment wrench<br>(325 423 01) |  |
| Multifunction adjustment wrench<br>(325 423 01) |  |
| User guide                                      |  |
| User guide                                      |  |

**COMPATIBILITY**

|  |  |
|--|--|
| Freewheel: Shimano/Sram or XD  |  |
| Freewheel: Shimano/Sram or XD  |  |
| Front axle: 20mm, convertible to 15mm thru axle with optional adapters |  |
| Front axle: 20mm, convertible to 15mm thru axle with optional adapters |  |
| Rear axle : 12x157mm, convertible to 12x150 with optional adapters     |  |
| Rear axle : 12x157mm, convertible to 12x150 with optional adapters     |  |
| Freewheel: Shimano Micro Spline  |  |

**Specifications****RIMS**

- **Material** : Maxtal
  - **Material** : Maxtal
  - **Joint** : SUP
  - **Joint** : SUP
  - **Drilling** : Fore
  - **Drilling** : Fore
  - **Weight reduction** : ISM 4D
  - **Weight reduction** : ISM 4D
  - **Valve hole diameter** : 6.5 mm
  - **Valve hole diameter** : 6.5 mm
  - **Tyre** : UST Tubeless and tubetype
  - **Tyre** : UST Tubeless and tubetype
  - **Internal width** : 28 mm
  - **Internal width** : 28 mm
- Hookless profile  
Hookless profile
- **ETRTO size 27.5"** : 584x28TSS
  - **ETRTO size 27.5"** : 584x28TSS

**SPOKES**

- **Material** : steel
- **Material** : steel
- **Shape** : straight pull, flat rear and flat, double butted front
- **Shape** : straight pull, flat rear and flat, double butted front
- **Nipples** : Fore integrated aluminum
- **Nipples** : Fore integrated aluminum
- **Count** : 28 front and rear
- **Count** : 28 front and rear
- **Lacing** : front and rear crossed 3
- **Lacing** : front and rear crossed 3

**WHEEL HUB**

- **Front and rear bodies** : aluminum
- **Front and rear bodies** : aluminum
- **Axle material** : aluminum
- **Axle material** : aluminum
- **Front bearings** : adjustable sealed cartridge bearings (QRM+), Rear bearings auto adjust sealed cartridge bearings (QRM Auto)
- **Front bearings** : adjustable sealed cartridge bearings (QRM+), Rear bearings auto adjust sealed cartridge bearings (QRM Auto)
- **Freewheel** : ITS-4 QRM Auto alloy
- **Freewheel** : ITS-4 QRM Auto alloy

**VERSIONS**

- **Color** : Black only
- **Disc standard** : 6 Bolts only
- **Disc standard** : 6 Bolts only
- **Freewheel** : Shimano/Sram or XD

**WHEEL WEIGHTS**

850