

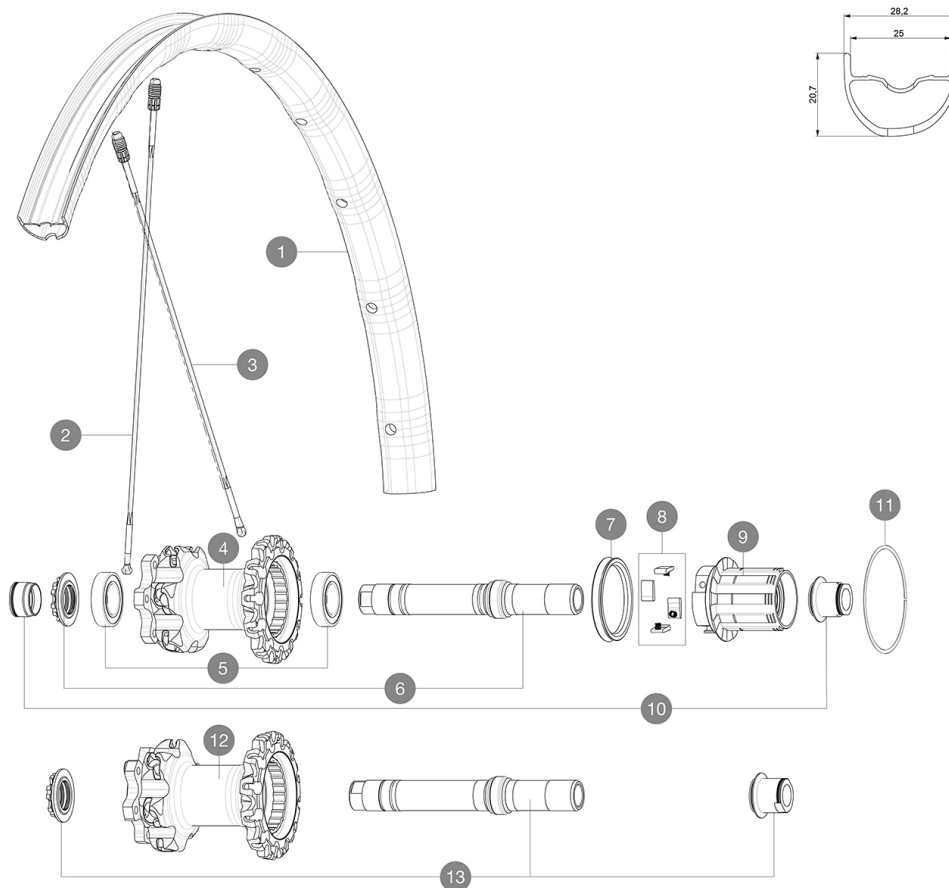
ASTM CATEGORY 4 : ENDURO AND TRAIL RIDING

For a longer longevity of the wheel, Mavic recommends that the total weight supported by the wheels don't exceed 120kg, bike included

Recommended tyre sizes: 44 to 76 mm (1.75" to 3.0") rear and 50 to 76 mm (2.0" to 3.0") front

REFERENCES WHEELS

| | | | |
|--------|------------------------|--------|---------------------------|
| R22331 | Dmx Pro 18 27.5 Rr XD | R22351 | Dmx Pro 18 27.5 Bst XD Rr |
| R22341 | Dmx Pro 18 27.5 Bst Rr | R22321 | Dmx Pro 18 27.5Rr |



RIMS



&NBSP;:

| | | |
|---|----------|--|
| 1 | V2316513 | KIT REAR RIM DEEMAX PRO 27,5" 25mm TSS |
|---|----------|--|

SPOKES

| | | |
|---|----------|--|
| 2 | V2386101 | KIT 1 FRT/1 NDS STAMPED SPOKES 275mm DEEMAX PRO - while stoc |
| 2 | V2384701 | KIT 12 FT/NDS CROSSMAX PRO 27,5" SPK 275mm |
| 3 | 36675101 | "KIT 10 DS XMAX SLR/END/PRO/DEEMAX PRO 27,5"" SPK 251,5mm" |

HUB SHELLS

| | | |
|----|----------|---|
| 4 | N/A | HUB BODY |
| 5 | M40076 | HUB BEARINGS 17x30x7 6903 x 2 |
| 6 | 30870401 | REAR QRM + AXLE KIT ITS4 135mm from 2012 |
| 7 | 99610701 | ITS-4 FREEWHEEL SEAL |
| 8 | 99610601 | PAWLS KIT FOR ITS-4 (OR TS-2) |
| 9 | 35126001 | ITS-4 FREEWHEEL BODY + SEAL 2013 (NO PAWLS) |
| 11 | 30871801 | ELASTIC RING 56mm diam. ITS-4 20 SPOKES |
| 12 | N/A | HUB BODY |
| 13 | V2370801 | KIT REAR QRM+ AXLE BOOST ITS-4 148mm |

ADAPTERS

| | | |
|----|----------|--|
| 10 | 30859301 | AXLE ADAPTER Rr 12x142/148mm Pro Carb MTB (Grey) |
| | 30873101 | 2 REAR REDUCERS 12/9,5mm 2012 ITS4 HUB |
| | 30872201 | FRAME SUPPORT ITS-4 135mm REAR AXLE > 2012 |

MAVIC Deemax Pro

DELIVERED WITH

| | |
|---|--|
| Front 15 mm adapters (129 828 01) | |
| UST valve and accessories (129 838 01) | |
| Multifonction adjustment wrench (325 423 01) | |
| User guide | |

COMPATIBILITY

| | |
|--|--|
| Freewheel: Shimano/Sram or XD | |
| Front axle: 20mm, convertible to 15mm thru axle with included adapters | |
| Rear axle: 12mm thru axle, convertible to Quick Release with optional adapters | |

Specifications

RIMS

- **Material** : Mactal
- **Drilling** : Fore
- **Weight reduction** : ISM 4D
- **Valve hole diameter** : 6.5 mm
- **Tyre** : UST Tubeless and tubetype
- **Internal width** : 28 mm front and 25mm rear
- **ETRTO size 27.5"** : 584x28TSS front & 584x25TSS rear
Hookless profile

SPOKES

- **Material** : Zicral
- **Shape** : straight pull, bladed
- **Nipples** : Fore integrated aluminum
- **Count** : 24 front and rear
- **Lacing** : front crossed 2, rear Isopulse

WHEEL HUB

- **Front and rear bodies** : aluminum
Adjustable sealed cartridge bearings (QRM+)
- **Freewheel** : ITS-4 alloy

VERSIONS

- **Color** : Black only
- **Disc standard** : 6 Bolts only
- **Hub width** : Boost (front 110, rear 148) or Non-Boost (front 100, rear 135/142)

WHEEL WEIGHTS

900