

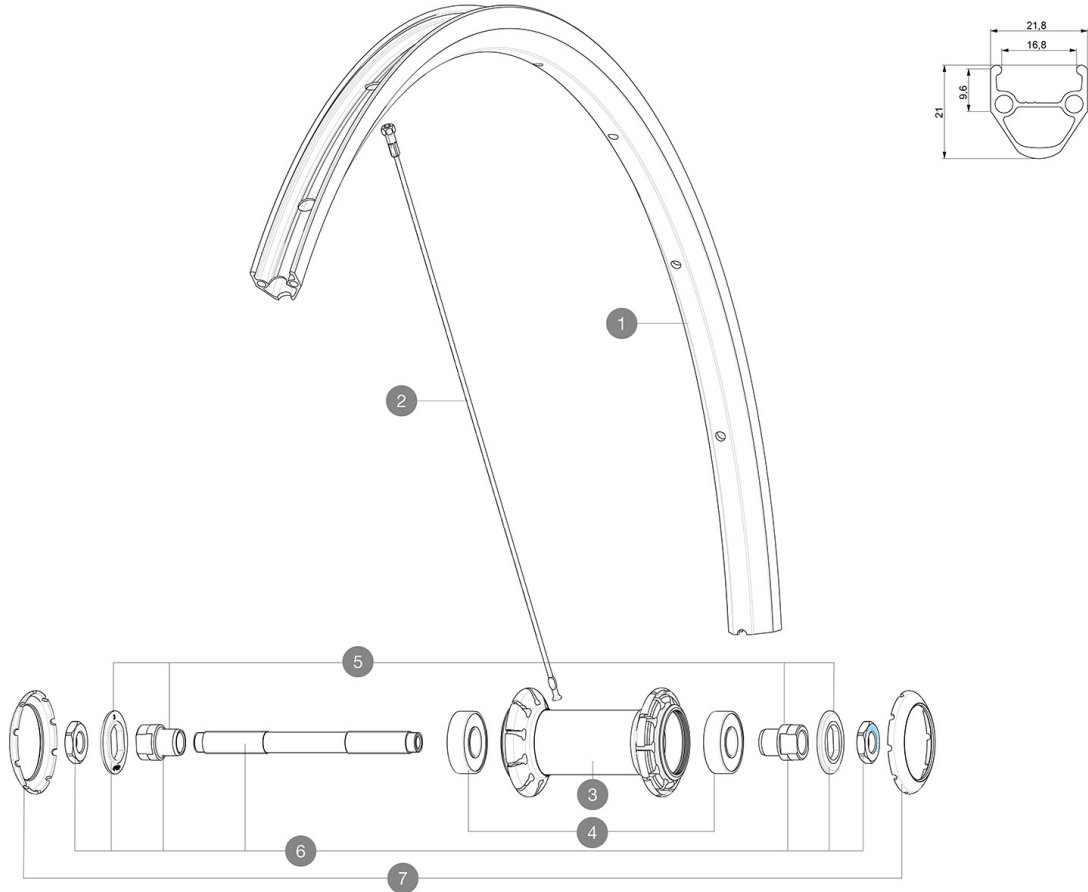


AKSIUM

参照ホイール

F80941 AKSIUM RB 700 QR

ASTM A 1 : 120
25 32mm
Maximum tyre pressure: 7.5bar/108PSI with a 23mm tyre - 4.6bar/67PSI with a 52mm tyre
23mm 8.7 bars - 125 psi, 25mm 7.7 bars - 110 psi



RIMS



&NBSP;:

1 janteavrouteub FRONT ROAD UB RIM

SPOKES

2 V2272701 FRONT & REAR NON DRIVE SIDE ROUND SPOKE AKSIUM 283mm (Cannon)

HUB SHELLS

4 M40318 HUB BEARING KIT 6001
5 99603801 SHORT EXPENSIBLE BEARING SUPPORTS > 2008
6 99603701 FRONT AXLE QRM ROAD 2008
7 12034401 KIT 3 HUB CAPS AERO 10 SLOTS BLACK

