

ASTM CATEGORY 1 : road only

For a longer longevity of the wheel, Mavic recommends that the total weight supported by the wheels don't exceed 120kg, bike included

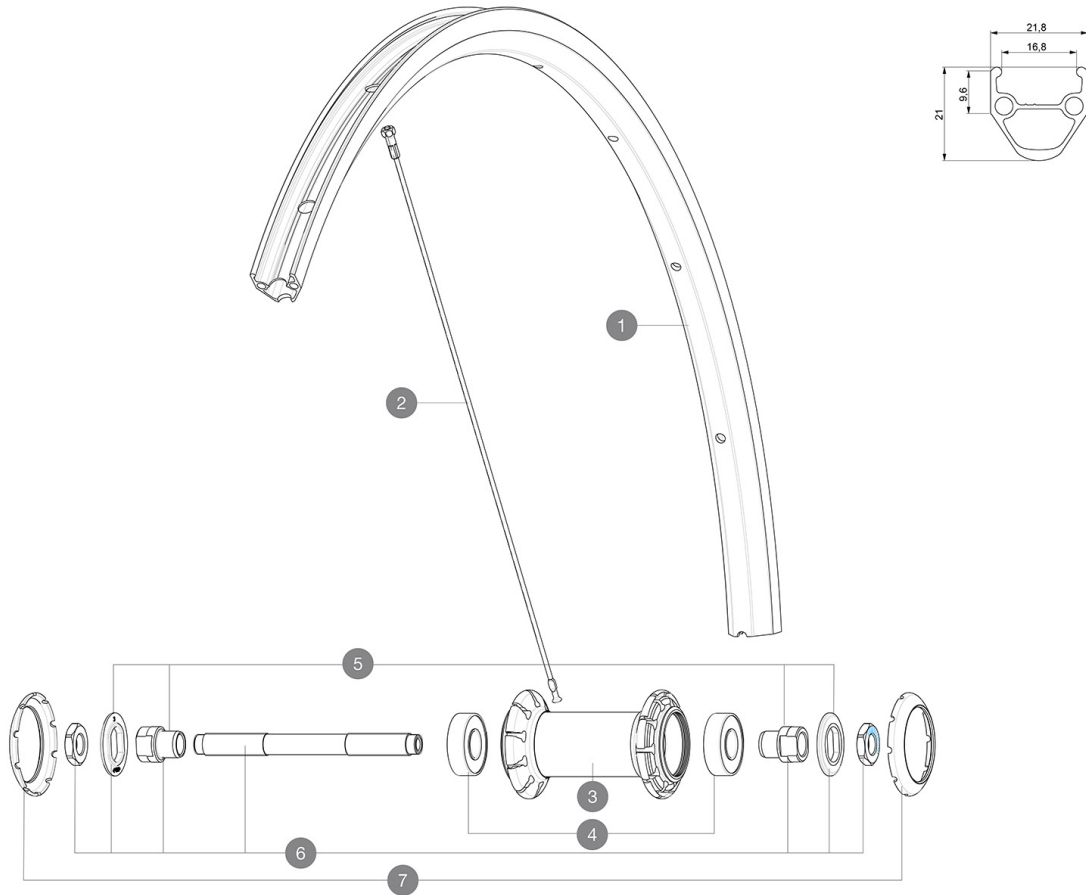
Recommended tyre sizes: 25 to 32 mm

Max. Pressure: see indication on wheel and tyre. If they differ, use the lower of the 2

Max. Pressure: 23mm 8.7 bars - 125 psi, 25/28mm 7.7 bars - 110 psi

REFERENCES WHEELS

F80941 AKSIUM RB 700 QR



RIMS



&NBSP;:

1 janteavrouteub FRONT ROAD UB RIM

SPOKES

2 V2272701 KIT 10 FT/NDS AKSIUM RND SPK 283mm (OEM only)

HUB SHELLS

- 4** M40318 KIT 2 HUB BEARINGS 6001
- 5** 99603801 SHORT EXPENSIBLE BEARING SUPPORTS > 2008
- 6** 99603701 FRONT AXLE QRM ROAD 2008
- 7** 12034401 KIT 3 HUB CAPS AERO 10 SLOTS BLACK

DELIVERED WITH

BR101 quick releases (M40350 frt, M40351 rear road, M40352 rear MTB)	
BR101 quick releases (M40350 frt, M40351 rear road, M40352 rear MTB)	
BR101 quick releases (M40350 frt, M40351 rear road, M40352 rear MTB)	
Rim tape	
Rim tape	
Rim tape	
User guide	
User guide	
User guide	

COMPATIBILITY

Freewheel: Shimano/Sram, convertible to Campagnolo with optional driver body	
Freewheel: Shimano/Sram, convertible to Campagnolo with optional driver body	
Freewheel: Shimano/Sram, convertible to Campagnolo with optional driver body	
Front axle: Quick Release only	
Front axle: Quick Release only	
Front axle: Quick Release only	
Rear axle: Quick Release only	
Rear axle: Quick Release only	
Rear axle: Quick Release only	

Specifications

RIMS

- Material : S6000 Aluminum
- Material : S6000 Aluminum
- Material : S6000 Aluminum
- Height : 21 mm
- Height : 21 mm
- Height : 21 mm
- Joint : pinned
- Joint : pinned
- Joint : pinned
- Drilling : traditional
- Drilling : traditional
- Drilling : traditional
- Brake track : UB Control
- Brake track : UB Control
- Brake track : UB Control
- Valve hole diameter : 6.5 mm
- Valve hole diameter : 6.5 mm
- Valve hole diameter : 6.5 mm
- Tyre : clincher
- Tyre : clincher
- Tyre : clincher
- Internal width : 17 mm
- Internal width : 17 mm
- Internal width : 17 mm
- ETRTO size : 622x17C
- ETRTO size : 622x17C
- ETRTO size : 622x17C

SPOKES

- Material : steel
- Material : steel
- Material : steel
- Shape : straight pull, round (front and rear non drive side) and straight pull, flat (rear drive side)
- Shape : straight pull, round (front and rear non drive side) and straight pull, flat (rear drive side)
- Shape : straight pull, round (front and rear non drive side) and straight pull, flat (rear drive side)
- Shape : straight pull, round (front and rear non drive side) and straight pull, flat (rear drive side)
- Shape : straight pull, round

WHEEL HUB

- Front and rear bodies : aluminum
- Front and rear bodies : aluminum
- Front and rear bodies : aluminum
- Axle material : steel
- Axle material : steel
- Axle material : steel
- Sealed cartridge bearings (QRM)
- Sealed cartridge bearings (QRM)
- Sealed cartridge bearings (QRM)
- Freewheel : FTS-L steel
- Freewheel : FTS-L steel
- Freewheel : FTS-L steel
- FTS-L
- QRM

VERSIONS

- Color : Black only
- Color : Black only

WHEEL WEIGHTS

845