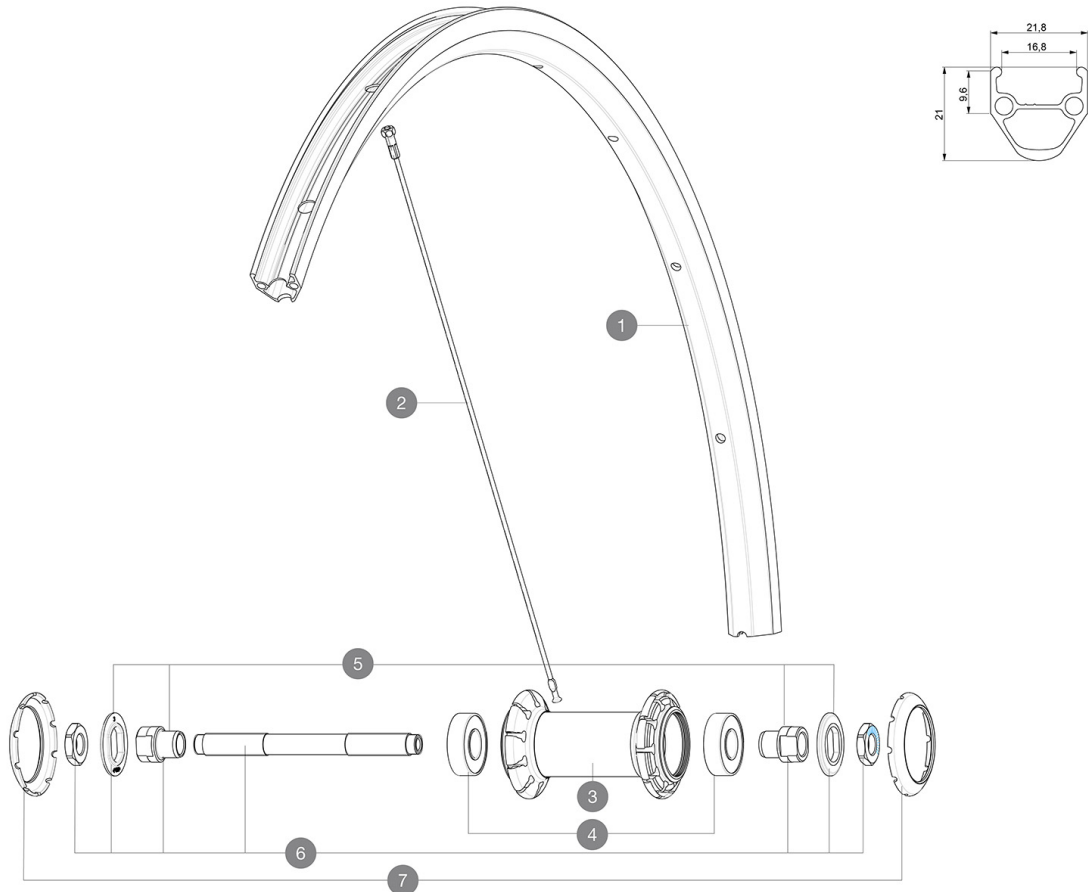


ASTM CATEGORY 1 : road only
 Maximum tyre pressure: 2.55bar/37PSI with a 54mm tyre - 1.3bar/19PSI with a 125mm tyre
 For a longer longevity of the wheel, Mavic recommends that the total weight supported by the wheels don't exceed 120kg, bike included
 Maximum tyre pressure: 7.5bar/108PSI with a 23mm tyre - 4.6bar/67PSI with a 52mm tyre
 Recommended tyre sizes: 25 to 32 mm
 Max. Pressure: see indication on wheel and tyre. If they differ, use the lower of the 2
 Max. Pressure: 23mm 8.7 bars - 125 psi, 25/28mm 7.7 bars - 110 psi
 Maximum tyre size: width 52mm - pressure max. 5Bar/72PSI

REFERENCES WHEELS

F80941 AKSIUM RB 700 QR



RIMS



&NBSP::

1 janteavrouteub FRONT ROAD UB RIM

SPOKES

2 V2272701 KIT 10 FT/NDS AKSIUM RND SPK 283mm (OEM only)

HUB SHELLS

- 4** M40318 KIT 2 HUB BEARINGS 6001
- 5** 99603801 SHORT EXPENSIBLE BEARING SUPPORTS > 2008
- 6** 99603701 FRONT AXLE QRM ROAD 2008
- 7** 12034401 KIT 3 HUB CAPS AERO 10 SLOTS BLACK

DELIVERED WITH

User guide	
BR101 quick releases (M40350 frt, M40351 rear road, M40352 rear MTB)	
BR101 quick releases (M40350 frt, M40351 rear road, M40352 rear MTB)	
BR101 quick releases (M40350 frt, M40351 rear road, M40352 rear MTB)	
BR101 quick releases (M40350 frt, M40351 rear road, M40352 rear MTB)	
BR101 quick releases (M40350 frt, M40351 rear road, M40352 rear MTB)	
BR101 quick releases (M40350 frt, M40351 rear road, M40352 rear MTB)	
Rim tape	
Rim tape	
Rim tape	
Rim tape	
Rim tape	
User guide	
User guide	
User guide	
User guide	
User guide	
Rim tape	

COMPATIBILITY

Freewheel: Shimano/Sram, convertible to Campagnolo with optional driver body	
Freewheel: Shimano/Sram, convertible to Campagnolo with optional driver body	
Freewheel: Shimano/Sram, convertible to Campagnolo with optional driver body	
Freewheel: Shimano/Sram, convertible to Campagnolo with optional driver body	
Front axle: Quick Release only	
Front axle: Quick Release only	
Freewheel body: convertible CAMPAGNOLO ED11 (kit 30871201 sold separately)	
Front axle: Quick Release only	
Freewheel body: convertible CAMPAGNOLO ED11 (kit 30871201 sold separately)	
Front axle: Quick Release only	
Rear axle: Quick Release only	
Rear axle: Quick Release only	
Rear axle: Quick Release only	
Rear axle: Quick Release only	
Front axle: Quick Release only	
Rear axle: 12mm thru axle, convertible to Quick Release with adapters (delivered with non-boost wheel)	
FTS-L Shimano / Sram freewheel body (30871101 - Delivered on the wheel)	