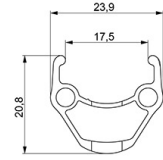
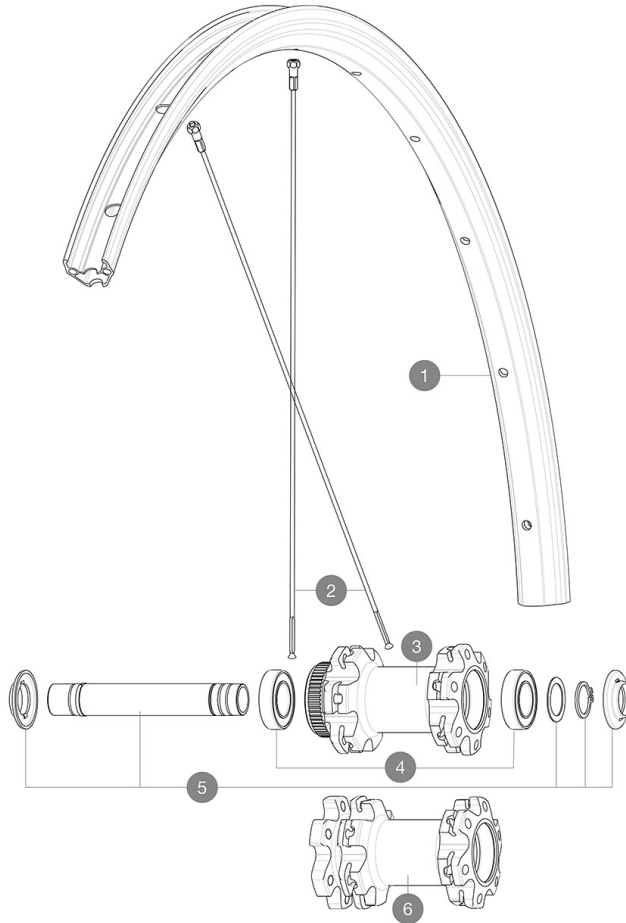


ASTM CATEGORY 2 : road and offroad with jumps less than 15cm
 For a longer longevity of the wheel, Mavic recommends that the total weight supported by the wheels don't exceed 120kg, bike included
 Maximum tyre pressure: 7.5bar/108PSI with a 23mm tyre - 4.6bar/67PSI with a 52mm tyre
 Recommended tyre sizes: 25 to 32 mm
 Max. Pressure: see indication on wheel and tyre. If they differ, use the lower of the 2
 Max. Pressure: 23mm 8.7 bars - 125 psi, 25/28mm 7.7 bars - 110 psi

REFERENCES WHEELS

F80861	AKSIUM INT 700 12X100	F80881	AKSIUM CL 700 12X100
--------	-----------------------	--------	----------------------



SPOKES

2	V2383001	KIT 12 FT/NDS CROSSRIDE FTSX 29" SPK 297mm
---	----------	--

HUB SHELLS

4	M40129	KIT 2 BEARINGS 6902 15x28x7
5	V2373301	KIT QRM AUTO FRONT AXLE 12mm > 2019

ADAPTERS

V2680501	12mm Road Axle Cap QRM Auto
V2680301	"Kit Ft Road Adapter 12 >> 9mm"

MAVIC AKSIUM DISC

DELIVERED WITH

Front QR adapters (996 941 01 for MTB or B41 043 01 for road)	
Front QR adapters (996 941 01 for MTB or B41 043 01 for road)	
Front QR adapters (996 941 01 for MTB or B41 043 01 for road)	
Front QR adapters (996 941 01 for MTB or B41 043 01 for road)	
Front QR adapters (996 941 01 for MTB or B41 043 01 for road)	
Rear QR adapters for Instant Drive 360 (B49 894 01)	
Rear QR adapters for Instant Drive 360 (B49 894 01)	
Rear QR adapters for Instant Drive 360 (B49 894 01)	
Rear QR adapters for Instant Drive 360 (B49 894 01)	
Rear QR adapters for Instant Drive 360 (B49 894 01)	
Rear QR adapters for Instant Drive 360 (B49 894 01)	
Rim tape	
Rim tape	
Rim tape	
Rim tape	
Rim tape	
Rim tape	
User guide	
User guide	
User guide	

COMPATIBILITY

Freewheel: Shimano/Sram, convertible to Campagnolo and XD-R with optional driver bodies	
Freewheel: Shimano/Sram, convertible to Campagnolo and XD-R with optional driver bodies	
Freewheel: Shimano/Sram, convertible to Campagnolo and XD-R with optional driver bodies	
Freewheel: Shimano/Sram, convertible to Campagnolo and XD-R with optional driver bodies	
Front axle: 12x100 thru axle, easily convertible to quick release with included adapters. Not compatible with 15mm through axles.	
Front axle: 12x100 thru axle, easily convertible to quick release with included adapters. Not compatible with 15mm through axles.	
Front axle: 12x100 thru axle, easily convertible to quick release with included adapters. Not compatible with 15mm through axles.	
Front axle: 12x100 thru axle, easily convertible to quick release with included adapters. Not compatible with 15mm through axles.	
Rear axle: 12mm thru axle, convertible to Quick Release with included adapters	
Freewheel body: convertible SRAM XD road (kit V2580101 sold separately)	
Rear axle: 12mm thru axle, convertible to Quick Release with included adapters	
Rear axle: 12mm thru axle, convertible to Quick Release with included adapters	
Rear axle: 12mm thru axle, convertible to Quick Release with included adapters	
Freewheel body: convertible SHIMANO HG light road (kit V3850101 sold separately)	
Freewheel body: convertible SHIMANO MS (kit V3990101 sold separately)	
Freewheel body: convertible CAMPAGNOLO ED (kit V3440101 sold separately)	
Front axle: 12x100 thru axle, easily convertible to quick release with included adapters. Not compatible with 15mm through axles.	