

MAVIC AKSIUM DISC

Maximum tyre pressure: 2.55bar/37PSI with a 54mm tyre - 1.3bar/19PSI with a 125mm tyre
ASTM CATEGORY 2 : road and offroad with jumps less than 15cm

For a longer longevity of the wheel, Mavic recommends that the total weight supported by the wheels don't exceed 120kg, bike included

Maximum tyre pressure: 7.5bar/108PSI with a 23mm tyre - 4.6bar/67PSI with a 52mm tyre
Recommended tyre sizes: 25 to 32 mm

Max. Pressure: see indication on wheel and tyre. If they differ, use the lower of the 2

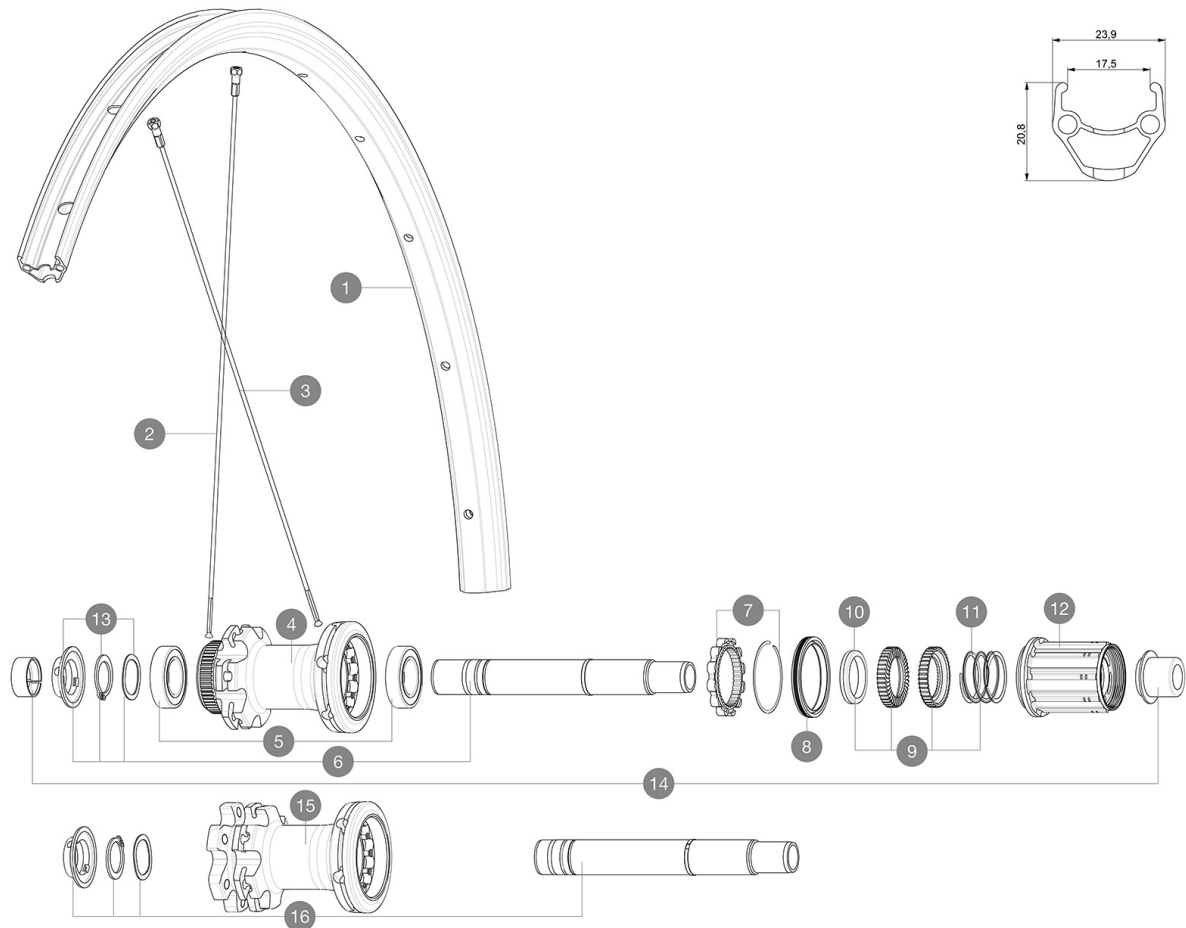
Max. Pressure: 23mm 8.7 bars - 125 psi, 25/28mm 7.7 bars - 110 psi

Maximum tyre size: width 52mm - pressure max. 5Bar/72PSI

REFERENCES WHEELS

R23151 AKSIUM INT 700 12X142 M11

R23171 AKSIUM CL 700 12x142 M11

**SPOKES**

2	V2383001	KIT 12 FT/NDS CROSSRIDE FTSX 29" SPK 297mm
2	V3661601	KIT 12 FRT/NDS AKSIUM Disc 19 ROUND SPOKE 297mm + nipples Wh
3	V3661701	KIT 12 DS AKSIUM Disc 19/ ALLROAD UST Disc ROUND SPOKE 293mm
3	V2279201	KIT 12 DS AKSIUM DISC 12mm RND SPK 292mm

HUB SHELLS

5	M40076	HUB BEARINGS 17x30x7 6903 x 2
6	V2252901	KIT ID360 CENTER LOCK 135/142mm AXLE W/CLIP
7	V2252701	KIT ID360 INSERT SHAPED EAR LOBE > 2017
8	V2251601	KIT ID360 SEAL + GREASE
9	V2251701	KIT ID360 2 RATCHETS + SPRING + GREASE
10	V2500501	KIT ID360 3 PADS NOISE REDUCING
11	V2251801	KIT 3 ID360 ROAD SPRINGS
12	V4000101	HG11 STEEL ROAD FREE HUB BODY ID360
12	V3430101	HG11 Freewheel Body ID360
13	V2373001	KIT ADJUST. SYSTEM QRM AUTO ID360 for 17x30x7 bearing
16	V2253001	KIT ID360 6 BOLTS 135/142mm AXLE WITH CIRCLIP

ADAPTERS

14	V2510701	ID360V2RrAxleAdapt12x142/148
	V2510901	ID360 EVO RrAxleAdpt12x135/150
	V2510801	ID360 V2 RrAxleAdapt9x135

MAVIC AKSIUM DISC

DELIVERED WITH

User guide	
Front QR adapters (996 941 01 for MTB or B41 043 01 for road)	
Front QR adapters (996 941 01 for MTB or B41 043 01 for road)	
Front QR adapters (996 941 01 for MTB or B41 043 01 for road)	
Front QR adapters (996 941 01 for MTB or B41 043 01 for road)	
Front QR adapters (996 941 01 for MTB or B41 043 01 for road)	
Rear QR adapters for Instant Drive 360 (B49 894 01)	
Rear QR adapters for Instant Drive 360 (B49 894 01)	
Rear QR adapters for Instant Drive 360 (B49 894 01)	
Rear QR adapters for Instant Drive 360 (B49 894 01)	
Rear QR adapters for Instant Drive 360 (B49 894 01)	
Rear QR adapters for Instant Drive 360 (B49 894 01)	
Rim tape	
Rim tape	
Rim tape	
Rim tape	
Rim tape	
User guide	
User guide	

COMPATIBILITY

Freewheel: Shimano/Sram, convertible to Campagnolo and XD-R with optional driver bodies	
Freewheel: Shimano/Sram, convertible to Campagnolo and XD-R with optional driver bodies	
Freewheel: Shimano/Sram, convertible to Campagnolo and XD-R with optional driver bodies	
Freewheel: Shimano/Sram, convertible to Campagnolo and XD-R with optional driver bodies	
Front axle: 12x100 thru axle, easily convertible to quick release with included adapters. Not compatible with 15mm through axles.	
Front axle: 12x100 thru axle, easily convertible to quick release with included adapters. Not compatible with 15mm through axles.	
Front axle: 12x100 thru axle, easily convertible to quick release with included adapters. Not compatible with 15mm through axles.	
Front axle: 12x100 thru axle, easily convertible to quick release with included adapters. Not compatible with 15mm through axles.	
Rear axle: 12mm thru axle, convertible to Quick Release with included adapters	
Rear axle: 12mm thru axle, convertible to Quick Release with included adapters	
Freewheel body: convertible SRAM XD road (kit V2580101 sold separately)	
Rear axle: 12mm thru axle, convertible to Quick Release with included adapters	
Freewheel body: convertible SRAM XD road (kit V2580101 sold separately)	
Rear axle: 12mm thru axle, convertible to Quick Release with included adapters	
Freewheel body: convertible SHIMANO HG light road (kit V3850101 sold separately)	
Freewheel body: convertible SHIMANO HG light road (kit V3850101 sold separately)	
Freewheel body: convertible SHIMANO MS (kit V3990101 sold separately)	
Freewheel body: convertible SHIMANO MS (kit V3990101 sold separately)	