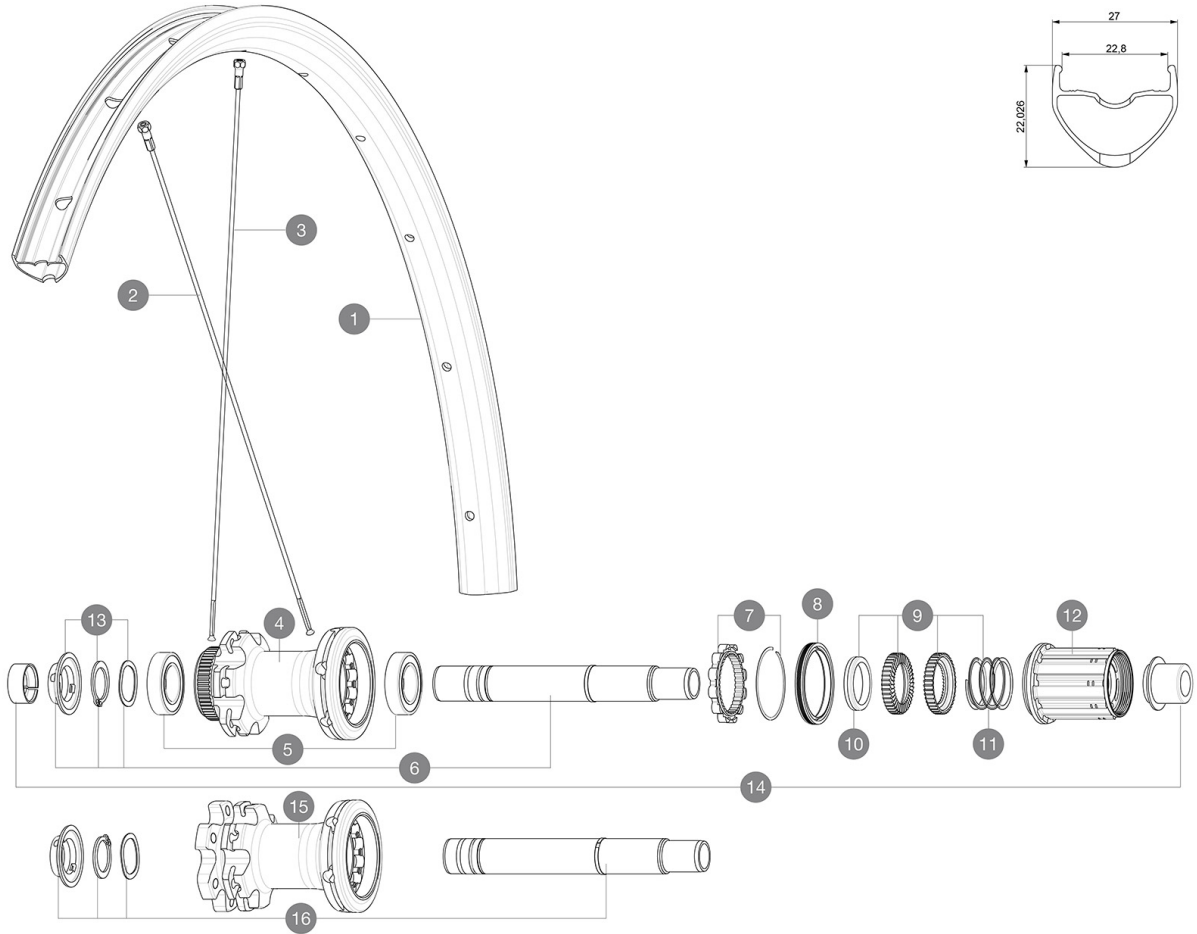


MAVIC ALLROAD DISC

参照ホイール

R23331 ALLROAD INT 700 12X142 M11 R23351 ALLROAD CL 700 12X142 M11

ASTM A52102 2 : 15 120 28 62 mm (1.1" 2.5")
 Maximum tyre pressure: 5.5bar/80PSI with a 28mm tyre - 3.25bar/47PSI with a 64mm tyre
 ID360 360 63.5 63.5 HG9 63.5 63.5
 30mm 5.8 bars - 85 PSI / 35mm 5.1 bars - 74 PSI / 40mm 4.5 bars - 65 PSI
 12mm 12mm



RIMS



&NBSP;:

1	V2734915	KIT FRONT/REAR RIM ALLROAD UST Disc
	V2700101	UST Tape 28mm for 25 to 27mm wide rims

SPOKES

2	V3661701	KIT 12 DS AKSIUM Disc 19/ ALLROAD UST Disc ROUND SPOKE 299mm
2	V2279201	KIT 12 DS AKSIUM DISC 12mm RND SPK 292mm
3	V2383001	KIT 12 FT/NDS CROSSRIDE FT SX 29" SPK 297mm
3	V3664601	KIT 12 FRT/NDS ALLROAD UST Disc ROUND SPOKE 296mm + nipple w

HUB SHELLS

4	N/A	HUB BODY
5	M40076	HUB BEARINGS 17x30x7 6903 x 2
6	V2373401	KIT ID360 135/142 DCL L1 AXLE WITH CLIP
7	V2252701	KIT ID360 INSERT SHAPED EAR LOBE > 2017

8	V2251601	ID360 SEAL + GREASE
9	V2251701	ID360 2 RATCHETS + SPRING + GREASE
10	V2500501	Kit 3 ID360 pad for noise reduction
11	V2251801	KIT 3 ID360 ROAD SPRINGS
12	V4000101	HG11 STEEL ROAD FREE HUB BODY ID360 - while stock last
12	V3430101	HG11 Freewheel Body ID360
13	V2373001	KIT ADJUST. SYSTEM QRM AUTO ID360 for 17x30x7 bearing
16	V2372101	KIT ID360 135/142 D6T AXLE WITH CLIP

ADAPTERS

14	V2510701	ID360 EVO REAR AXLE ADAPTERS 12x142mm DCL & D6T
	V2510901	ID360 EVO REAR AXLE ADAPTERS 12x135mm DCL & D6T
	V2510801	ID360 EVO REAR AXLE ADAPTERS 9x135mm DCL & D6T

付属品

01A (MTBA 996 941)	
01A (MTBA 996 941)	
01A (MTBA 996 941)	
01A (MTBA 996 941)	
01A (MTBA 996 941)	
01A (MTBA 996 941)	
01A (MTBA 996 941)	
01A (MTBA 996 941)	
360A (B49 894 01)	
360A (B49 894 01)	
360A (B49 894 01)	
360A (B49 894 01)	
360A (B49 894 01)	
360A (B49 894 01)	
360A (B49 894 01)	
360A (B49 894 01)	
360A (B49 894 01)	
360A (B49 894 01)	
360A (B49 894 01)	
360A (B49 894 01)	
UST (129 838 01)	
UST (129 838 01)	
UST (129 838 01)	
UST (129 838 01)	
UST (129 838 01)	

COMPATIBILITY

01A (MTBA 996 941)	(MTBA 996 941)
01A (MTBA 996 941)	(MTBA 996 941)
01A (MTBA 996 941)	(MTBA 996 941)
01A (MTBA 996 941)	(MTBA 996 941)
01A (MTBA 996 941)	(MTBA 996 941)
01A (MTBA 996 941)	(MTBA 996 941)
01A (MTBA 996 941)	(MTBA 996 941)
01A (MTBA 996 941)	(MTBA 996 941)
01A (MTBA 996 941)	(MTBA 996 941)
01A (MTBA 996 941)	(MTBA 996 941)
01A (MTBA 996 941)	(MTBA 996 941)
01A (MTBA 996 941)	(MTBA 996 941)
01A (MTBA 996 941)	(MTBA 996 941)
01A (MTBA 996 941)	(MTBA 996 941)
01A (MTBA 996 941)	(MTBA 996 941)
01A (MTBA 996 941)	(MTBA 996 941)
01A (MTBA 996 941)	(MTBA 996 941)
01A (MTBA 996 941)	(MTBA 996 941)
01A (MTBA 996 941)	(MTBA 996 941)
01A (MTBA 996 941)	(MTBA 996 941)
01A (MTBA 996 941)	(MTBA 996 941)
01A (MTBA 996 941)	(MTBA 996 941)
01A (MTBA 996 941)	(MTBA 996 941)
01A (MTBA 996 941)	(MTBA 996 941)
01A (MTBA 996 941)	(MTBA 996 941)
01A (MTBA 996 941)	(MTBA 996 941)
01A (MTBA 996 941)	(MTBA 996 941)
01A (MTBA 996 941)	(MTBA 996 941)
01A (MTBA 996 941)	(MTBA 996 941)

