

ASTM CATEGORY 1 : road only

For a longer longevity of the wheel, Mavic recommends that the total weight supported by the wheels don't exceed 120kg, bike included

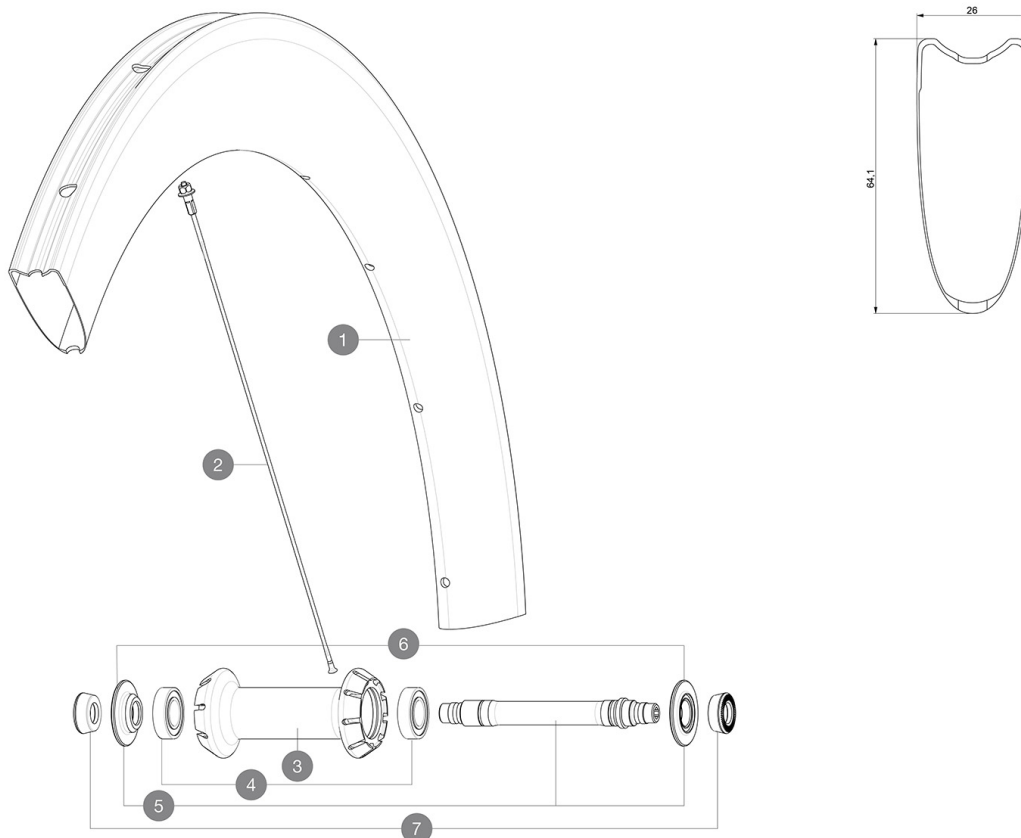
Recommended tyre sizes: 25 to 32 mm

Max. Pressure: see indication on wheel and tyre. If they differ, use the lower of the 2

Max. Pressure: 23mm 8.7 bars - 125 psi, 25/28mm 7.7 bars - 110 psi

REFERENCES WHEELS

F85401 Comete Pro Carb SL T 19 Ft.NT



RIMS



&NBSP;:

| | | |
|---|----------|---|
| 1 | V2737410 | KIT FRONT RIM COMETE PRO CARBON SL T 19 |
|---|----------|---|

SPOKES

| | | |
|---|----------|--|
| 2 | V3666101 | KIT 2 FRT 247/2 NDS 261 COMETE PRO CARB SL T/UST AERO STAMPE |
| 2 | V3663101 | KIT 12 FRT BUTTED AERO STAINLESS SPOKE 247 + alu nipple + wa |

HUB SHELLS

| | | |
|---|----------|---|
| 3 | N/A | HUB BODY |
| 4 | M40078 | FRONT HUB BEARINGS 6901 x 2 |
| 5 | 30870001 | FRONT AXLE ROAD RIM BRAKING QRM + |
| 6 | V2252501 | FRONT SETTING NUT & DUST PROTECTOR MY16 |

ADAPTERS

| | | |
|---|----------|---|
| 7 | 35117301 | FT/RR FORK REST R-SYS/CC ULTIMATE > 2013/KSY PRO CARB T |
|---|----------|---|

MAVIC Comete Pro Carbon SL T

DELIVERED WITH

| | |
|---|--|
| BR601 Titanium quick releases (323 485 01 frt, 323 486 01 rear) | |
| BR601 Titanium quick releases (323 485 01 frt, 323 486 01 rear) | |
| Carbon brake pads (V24 603 01 Shimano/Sram, V24 604 01 Campagnolo) | |
| Carbon brake pads (V24 603 01 Shimano/Sram, V24 604 01 Campagnolo) | |
| Valve extender (118 952 01) | |
| Valve extender (118 952 01) | |
| Multifunction adjustment wrench (325 423 01) | |
| Multifunction adjustment wrench (325 423 01) | |
| User guide | |
| User guide | |

COMPATIBILITY

| | |
|---|--|
| Freewheel: Shimano/Sram, convertible to Campagnolo and XD-R with optional driver bodies | |
| Freewheel: Shimano/Sram, convertible to Campagnolo and XD-R with optional driver bodies | |
| Front axle: Quick Release only | |
| Front axle: Quick Release only | |
| Rear axle: Quick Release only | |
| Rear axle: Quick Release only | |

Specifications

RIMS

- **Material** : 3K carbon fibers
- **Material** : 3K carbon fibers
- **Height** : 64mm
- **Height** : 64mm
- **Drilling** : traditional
- **Drilling** : traditional
- **Brake track** : carbon with iTgMAX technology
- **Brake track** : carbon with iTgMAX technology
- **Valve hole diameter** : 6.5 mm
- **Valve hole diameter** : 6.5 mm
- **Tyre** : tubular
- **Tyre** : tubular
- **ETRTO size** : 28" tubular
- **ETRTO size** : 28" tubular

SPOKES

- **Material** : steel
- **Material** : steel
- **Shape** : straight pull, aero, double butted
- **Shape** : straight pull, aero, double butted
- **Nipples** : aluminum, ABS
- **Nipples** : aluminum, ABS
- **Count** : front 18, rear 20
- **Count** : front 18, rear 20
- **Lacing** : front radial, rear Isopulse
- **Lacing** : front radial, rear Isopulse

WHEEL HUB

- **Front and rear bodies** : aluminum
- **Front and rear bodies** : aluminum
- **Axle material** : aluminum
- **Axle material** : aluminum
- **Front bearings** : adjustable sealed cartridge bearings (QRM+), Rear bearings auto adjust sealed cartridge bearings (QRM Auto)
- **Front bearings** : adjustable sealed cartridge bearings (QRM+), Rear bearings auto adjust sealed cartridge bearings (QRM Auto)
- **Freewheel** : Instant Drive 360
- **Freewheel** : Instant Drive 360

VERSIONS

- **Color** : Black only

WHEEL WEIGHTS