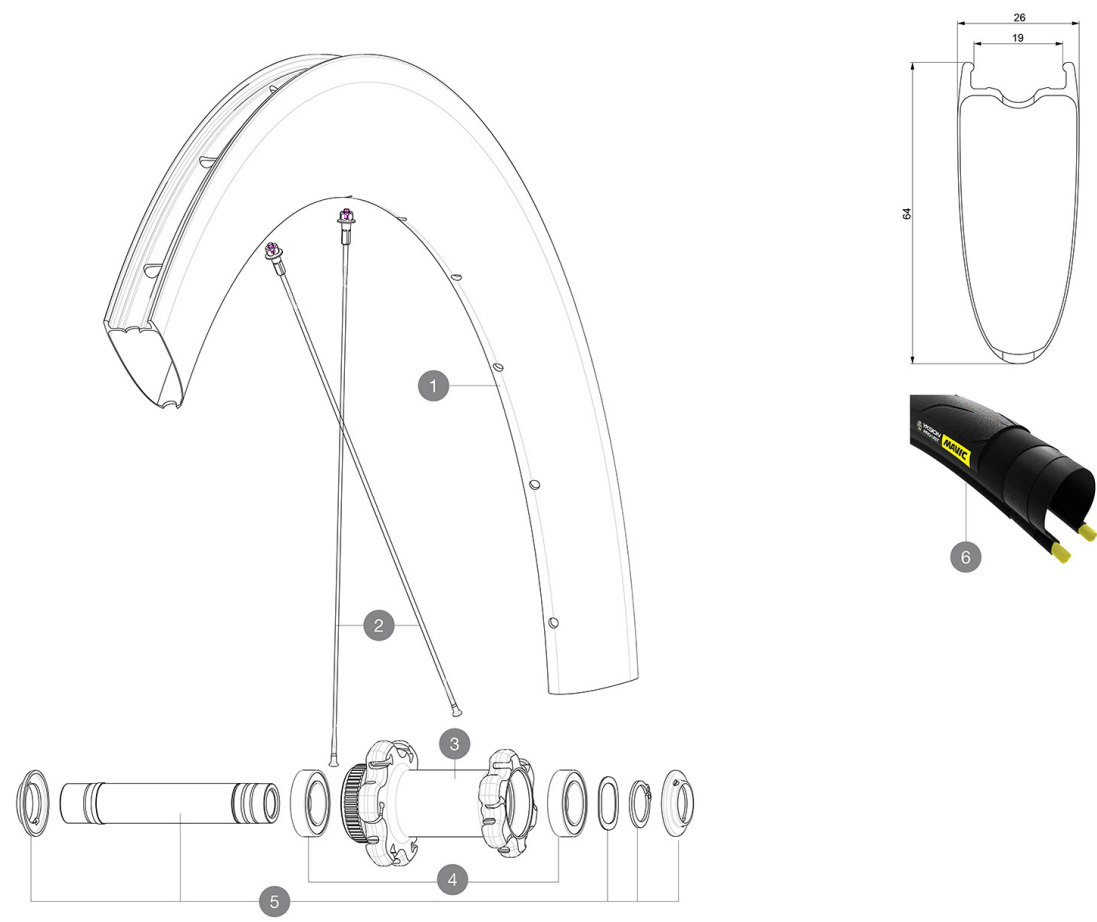


# MAVIC Comete Pro Carbon SL UST Disc

ASTM CATEGORY 1 : road only  
 For a longer longevity of the wheel, Mavic recommends that the total weight supported by the wheels don't exceed 120kg, bike included  
 Recommended tyre sizes: 25 to 32 mm  
 Max. Pressure: see indication on wheel and tyre. If they differ, use the lower of the 2  
 Max. Pressure tubeless: 25mm 6 bars - 87 PSI, 28mm 5 bars - 70 PSI. Max pressure tubetype: 25mm 7 bars - 102 PSI, 28mm 6 bars - 87 PSI

## REFERENCES WHEELS

F85411 ComProCarb SL UST DCL Ft



## RIMS



&NBSP::

|   |          |  |
|---|----------|--|
| 1 | V4093115 | Kit Front/Rear rim Cosmic SL 65 Disc while stock lasts       |
| 1 | V2738110 | KIT FRONT RIM COMETE PRO CARBON SL UST Disc 19 - while stock |
|   | V2620101 | UST RIM TAPE 25mm (for 21-24mm wide rim)                     |

## SPOKES

|   |          |   |
|---|----------|---|
| 2 | V3667101 | KIT 12 FRT/NDS BUTTED AERO STAINLESS SPOKE 254 + alu nipple |
| 2 | V3667001 | KIT 2 FRT/NDS 254 BUTTED AERO STAMPED STAINLESS SPOKE + alu |

## HUB SHELLS

|   |          |  |
|---|----------|--|
| 3 | N/A      | HUB BODY   |
| 4 | V2500901 | KIT BEARINGS 18x30x7 + WAVED WASHER + CLIP                 |
| 5 | V2374001 | KIT 12x100mm FRONT AXLE DCL QRM AUTO ALLROAD > 2019        |
| 5 | V2374101 | KIT QRM AUTO FRONT L3 AXLE 100x12mm DCL - while stock last |

## OPTIONS

|          |  |
|----------|--|
| V2373501 | QRM Auto front axle 15mm for DCL Allroad wheels > 2019 |
|----------|--|




## TYRES

|   |          |                       |
|---|----------|-----------------------|
| 6 | 39938825 | Yksion Pro UST 700x25 |
|---|----------|-----------------------|

## ADAPTERS

|          |                                 |
|----------|---------------------------------|
| V2680301 | "Kit Ft Road Adapter 12 >> 9mm" |
|----------|---------------------------------|

## DELIVERED WITH

|  |   |
|--|---|
| Mavic tyre sealant (rear wheel)<br>(355 466 01)                  |   |
| Mavic tyre sealant (rear wheel)<br>(355 466 01)                  |   |
| Mavic tyre sealant (rear wheel)<br>(355 466 01)                  |   |
| Tyre sealant syringe   |   |
| Tyre sealant syringe   |   |
| Tyre sealant syringe   |   |
| Front QR adapters<br>(996 941 01 for MTB or B41 043 01 for road) |   |
| Front QR adapters<br>(996 941 01 for MTB or B41 043 01 for road) |   |
| Front QR adapters<br>(996 941 01 for MTB or B41 043 01 for road) |   |
| Rear QR adapters for Instant Drive 360<br>(B49 894 01)           |   |
| Rear QR adapters for Instant Drive 360<br>(B49 894 01)           |   |
| Rear QR adapters for Instant Drive 360<br>(B49 894 01)           |   |
| UST valve and accessories<br>(129 838 01)                        |  |
| UST valve and accessories<br>(129 838 01)                        |  |
| UST valve and accessories<br>(129 838 01)                        |  |
| Tubeless rim tape  |   |
| Tubeless rim tape  |   |
| Tubeless rim tape  |   |

## COMPATIBILITY

|  |  |
|--|--|
| Freewheel: Shimano/Sram, convertible to Campagnolo and XD-R with optional driver bodies  |  |
| Freewheel: Shimano/Sram, convertible to Campagnolo and XD-R with optional driver bodies  |  |
| Freewheel: Shimano/Sram, convertible to Campagnolo and XD-R with optional driver bodies  |  |
| Front axle: 12mm thru axle, easily convertible to quick release with included adapters. Convertible to 15mm with complete axle replacement |  |
| Front axle: 12mm thru axle, easily convertible to quick release with included adapters. Convertible to 15mm with complete axle replacement |  |
| Front axle: 12mm thru axle, easily convertible to quick release with included adapters. Convertible to 15mm with complete axle replacement |  |
| Rear axle: 12mm thru axle, convertible to Quick Release with included adapters   |  |
| Rear axle: 12mm thru axle, convertible to Quick Release with included adapters   |  |
| Rear axle: 12mm thru axle, convertible to Quick Release with included adapters   |  |