

MAVIC Comete Pro Carbon SL UST Disc

ASTM CATEGORY 1 : road only

For a longer longevity of the wheel, Mavic recommends that the total weight supported by the wheels don't exceed 120kg, bike included

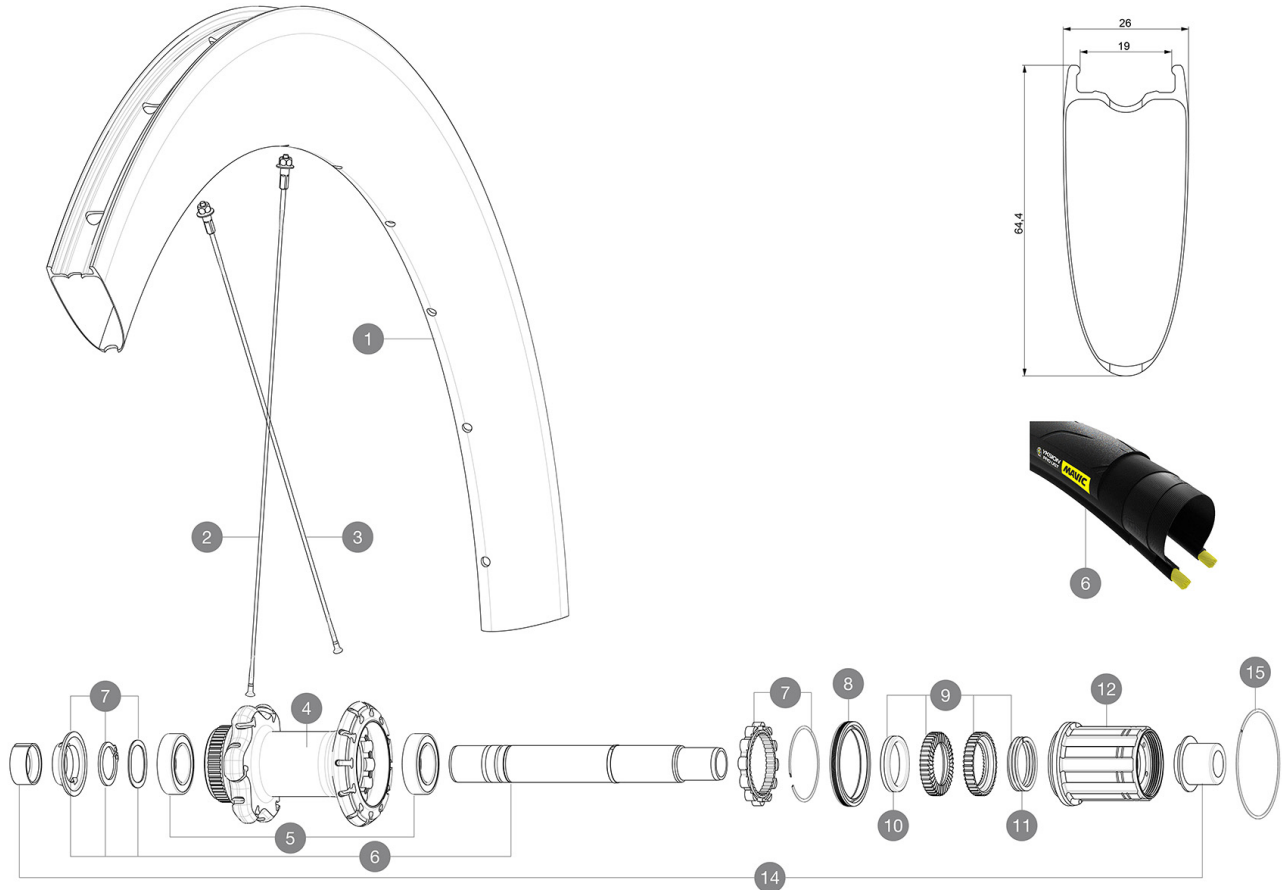
Recommended tyre sizes: 25 to 32 mm

Max. Pressure: see indication on wheel and tyre. If they differ, use the lower of the 2

Max. Pressure tubeless: 25mm 6 bars - 87 PSI, 28mm 5 bars - 70 PSI. Max pressure tubetype: 25mm 7 bars - 102 PSI, 28mm 6 bars - 87 PSI

REFERENCES WHEELS

R30031 ComProCarb SL UST DCL Rr



RIMS



&NBSP;:

| | | |
|---|----------|--|
| 1 | V4093115 | Kit Front/Rear rim Cosmic SL 65 Disc |
| 1 | V2738213 | KIT REAR RIM COMETE PRO CARBON SL UST Disc 19 - while lock |
| | V2620101 | UST RIM TAPE 25mm (for 21-24mm wide rim) |

SPOKES

| | | |
|---|----------|--|
| 2 | V3667101 | KIT 12 FRT/NDS BUTTED AERO STAINLESS SPOKE 254 + alu nipple |
| 2 | V3667001 | KIT 2 FRT/NDS 254 BUTTED AERO STAMPED STAINLESS SPOKE + alu |
| 3 | V3662401 | KIT 12 DS BUTTED AERO STAINLESS SPOKE 236 + alu nipp.+ wash. |

HUB SHELLS

| | | |
|----|----------|---|
| 4 | N/A | HUB BODY |
| 5 | V2560401 | KIT 2 BEARINGS 17x28x7 + WAVED WASHER + CLIP |
| 6 | V2252901 | KIT ID360 CENTER LOCK 135/142mm AXLE W/CLIP |
| 7 | V2252701 | KIT ID360 INSERT SHAPED EAR LOBE > 2017 |
| 8 | V2251601 | KIT ID360 SEAL + GREASE |
| 9 | V2251701 | KIT ID360 2 RATCHETS + SPRING + GREASE |
| 10 | V2500501 | KIT ID360 3 PADS NOISE REDUCING |
| 11 | V2251801 | KIT 3 ID360 ROAD SPRINGS |
| 12 | V3430101 | HG11 Freewheel Body ID360 |
| 13 | V2560501 | KIT ADJUST. SYSTEM QRM AUTO ID360 for 17x28x7 bearing |
| 15 | V2252201 | KIT 2 REAR HUB RETENTION RINGS 48mm |

TYRES




16 39938825 Yksion Pro UST 700x25

ADAPTERS

14 V2510701 ID360V2RrAxleAdapt12x142/148
V2510901 ID360 EVO RrAxleAdpt12x135/150
V2510801 ID360 V2 RrAxleAdapt9x135

MAVIC Comete Pro Carbon SL UST Disc

DELIVERED WITH

| | |
|--|---|
| Mavic tyre sealant (rear wheel) (355 466 01) | |
| Mavic tyre sealant (rear wheel) (355 466 01) | |
| Mavic tyre sealant (rear wheel) (355 466 01) | |
| Tyre sealant syringe | |
| Tyre sealant syringe | |
| Tyre sealant syringe | |
| Front QR adapters (996 941 01 for MTB or B41 043 01 for road) | |
| Front QR adapters (996 941 01 for MTB or B41 043 01 for road) | |
| Front QR adapters (996 941 01 for MTB or B41 043 01 for road) | |
| Rear QR adapters for Instant Drive 360 (B49 894 01) | |
| Rear QR adapters for Instant Drive 360 (B49 894 01) | |
| Rear QR adapters for Instant Drive 360 (B49 894 01) | |
| UST valve and accessories (129 838 01) |  |
| UST valve and accessories (129 838 01) |  |
| UST valve and accessories (129 838 01) |  |
| Tubeless rim tape | |
| Tubeless rim tape | |
| Tubeless rim tape | |

COMPATIBILITY

| | |
|--|--|
| Freewheel: Shimano/Sram, convertible to Campagnolo and XD-R with optional driver bodies | |
| Freewheel: Shimano/Sram, convertible to Campagnolo and XD-R with optional driver bodies | |
| Freewheel: Shimano/Sram, convertible to Campagnolo and XD-R with optional driver bodies | |
| Front axle: 12mm thru axle, easily convertible to quick release with included adapters. Convertible to 15mm with complete axle replacement | |
| Front axle: 12mm thru axle, easily convertible to quick release with included adapters. Convertible to 15mm with complete axle replacement | |
| Front axle: 12mm thru axle, easily convertible to quick release with included adapters. Convertible to 15mm with complete axle replacement | |
| Rear axle: 12mm thru axle, convertible to Quick Release with included adapters | |
| Rear axle: 12mm thru axle, convertible to Quick Release with included adapters | |
| Rear axle: 12mm thru axle, convertible to Quick Release with included adapters | |