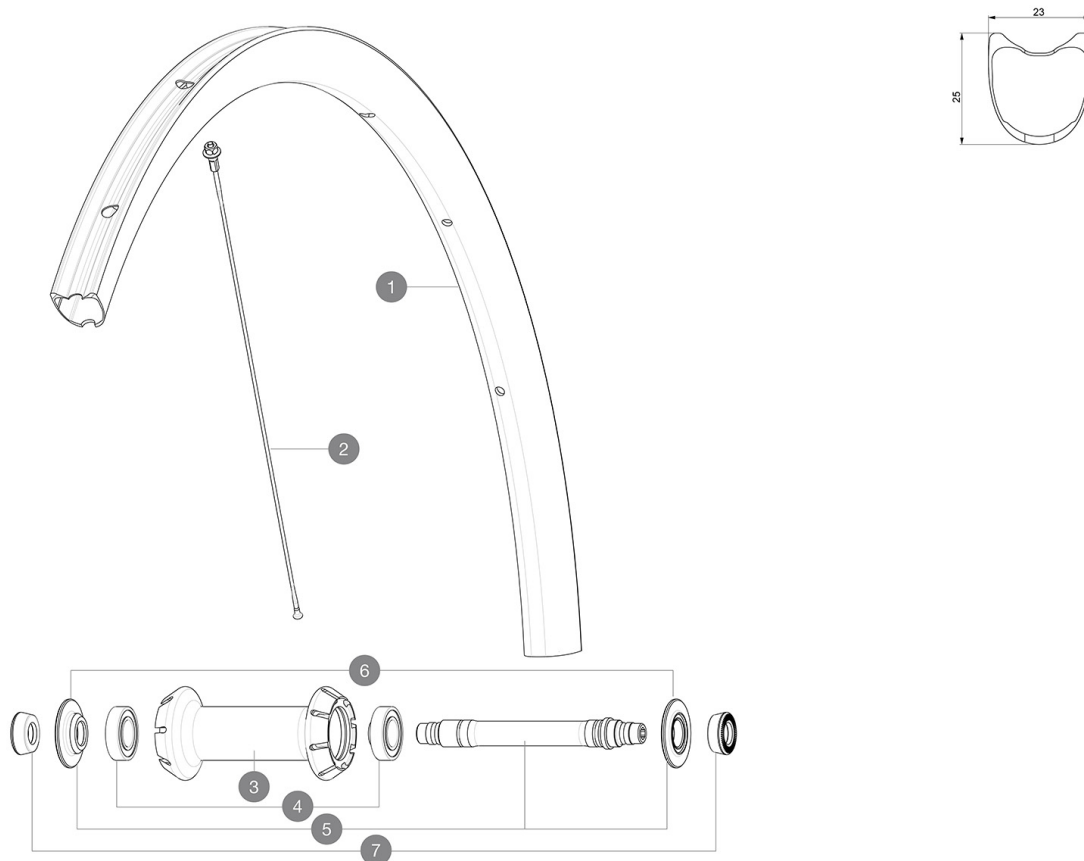


参照ホイール

F85771 Ksy Pro Carb SL T 19 Ft NT

ASTM A2015 2 : 15A 120A 23 32mm 2A 23mm 8.7 bars - 125 psi, 25mm 7.7 bars - 110 psi



RIMS



&NBSP;:

1	V2738510	KIT FRONT RIM KSYRIUM PRO CARBON SL T 19
---	----------	--

SPOKES

2	V3663801	KIT 12 FRT KSYR PRO CARB SL C/UST/T & NDS COSMIC PRO CARB
2	V3666001	RHT 1 FRT 285/1 NDS 291 KSYRIUM PRO CARB SL UST AERO STAMPED

HUB SHELLS

3	N/A	HUB BODY
4	M40078	FRONT HUB 6901 BEARINGS
5	30870001	FRONT AXLE ROAD RIM BRAKING QRM +
6	V2252501	FRONT SETTING NUT & DUST PROTECTOR MY16

ADAPTERS

7	35117301	FRONT OR REAR FORK REST KIT R-SYS 2013
---	----------	--

