

MAVIC Ksyrium Pro Carbon SL T

ASTM CATEGORY 2 : road and offroad with jumps less than 15cm

For a longer longevity of the wheel, Mavic recommends that the total weight supported by the wheels don't exceed 120kg, bike included

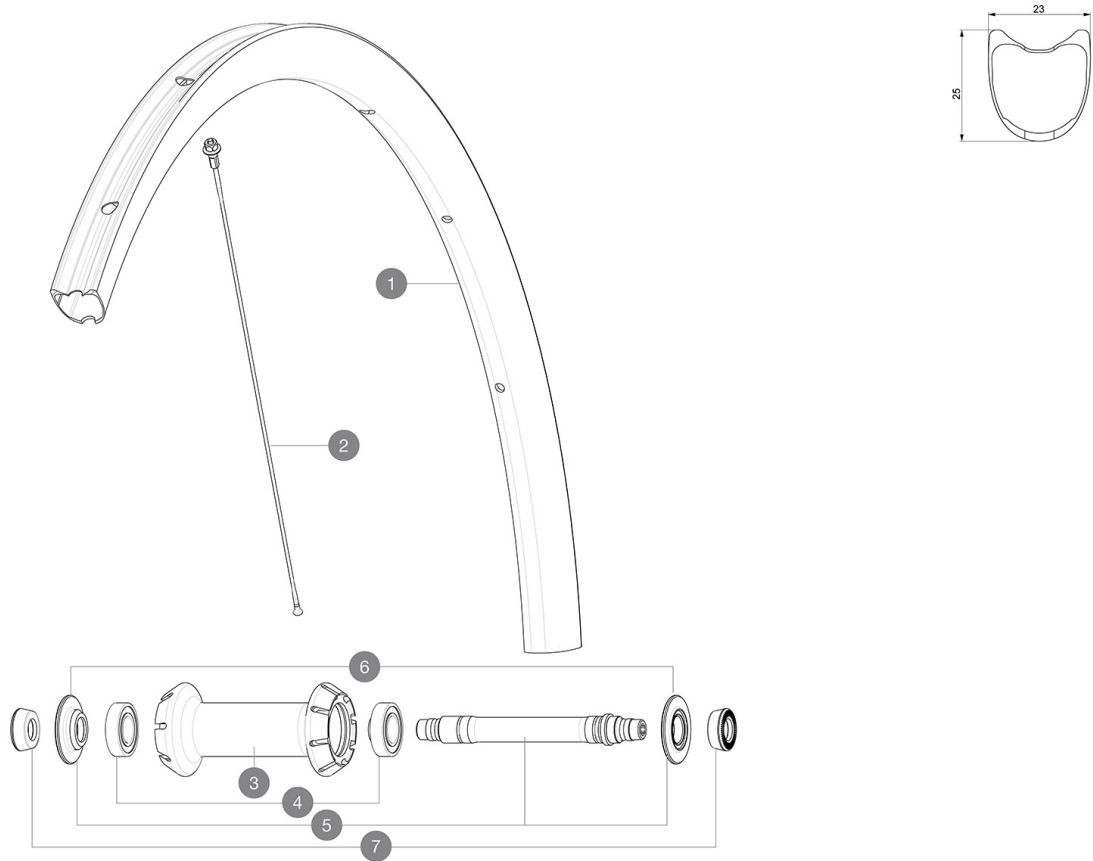
Recommended tyre sizes: 23 to 32 mm

Max. Pressure: see indication on wheel and tyre. If they differ, use the lower of the 2

Max. Pressure: 23mm 8.7 bars - 125 psi, 25/28mm 7.7 bars - 110 psi

REFERENCES WHEELS

F85771 Ksy Pro Carb SL T 19 Ft NT



RIMS



&NBSP;:

1	V2738510	KIT FRONT RIM KSYRIUM PRO CARBON SL T 19
---	----------	--

SPOKES

2	V3663801	KIT 12 FRT KSYR PRO CARB SL C/UST/T & NDS COSMIC PRO CARB SL
2	V3666001	KIT 1 FRT 285/1 NDS 291 KSYRIUM PRO CARB SL UST AERO STAMPED

HUB SHELLS

3	N/A	HUB BODY
4	M40078	FRONT HUB BEARINGS 6901 x 2
5	30870001	FRONT AXLE ROAD RIM BRAKING QRM +
6	V2252501	FRONT SETTING NUT & DUST PROTECTOR MY16

ADAPTERS

7	35117301	FT/RR FORK REST R-SYS/CC ULTIMATE > 2013/KSY PRO CARB T
---	----------	---

MAVIC Ksyrium Pro Carbon SL T

DELIVERED WITH

BR601 Titanium quick releases (323 485 01 frt, 323 486 01 rear)	
BR601 Titanium quick releases (323 485 01 frt, 323 486 01 rear)	
Carbon brake pads (V24 603 01 Shimano/Sram, V24 604 01 Campagnolo)	
Carbon brake pads (V24 603 01 Shimano/Sram, V24 604 01 Campagnolo)	
Multifunction adjustment wrench (325 423 01)	
Multifunction adjustment wrench (325 423 01)	
User guide	
User guide	

COMPATIBILITY

Freewheel: Shimano/Sram, convertible to Campagnolo and XD-R with optional driver bodies	
Freewheel: Shimano/Sram, convertible to Campagnolo and XD-R with optional driver bodies	
Front axle: Quick Release only	
Front axle: Quick Release only	
Rear axle: Quick Release only	
Rear axle: Quick Release only	

Specifications

RIMS

- **Material** : 3K carbon fibers
- **Material** : 3K carbon fibers
- **Height** : 25mm
- **Height** : 25mm
- **Drilling** : traditional
- **Drilling** : traditional
- **Brake track** : carbon with iTgMAX technology
- **Brake track** : carbon with iTgMAX technology
- **Valve hole diameter** : 6.5 mm
- **Valve hole diameter** : 6.5 mm
- **Tyre** : tubular
- **Tyre** : tubular
- **ETRTO size** : 28" tubular
- **ETRTO size** : 28" tubular

SPOKES

- **Material** : steel
- **Material** : steel
- **Shape** : straight pull, aero, double butted
- **Shape** : straight pull, aero, double butted
- **Nipples** : aluminum, ABS
- **Nipples** : aluminum, ABS
- **Count** : front 18, rear 24
- **Count** : front 18, rear 24
- **Lacing** : front radial, rear Isopulse
- **Lacing** : front radial, rear Isopulse

WHEEL HUB

- **Front and rear bodies** : aluminum
- **Front and rear bodies** : aluminum
- **Axle material** : aluminum
- **Axle material** : aluminum
- **Front bearings** : adjustable sealed cartridge bearings (QRM+), Rear bearings auto adjust sealed cartridge bearings (QRM Auto)
- **Front bearings** : adjustable sealed cartridge bearings (QRM+), Rear bearings auto adjust sealed cartridge bearings (QRM Auto)
- **Freewheel** : Instant Drive 360
- **Freewheel** : Instant Drive 360

VERSIONS

- **Color** : Black only

WHEEL WEIGHTS

515