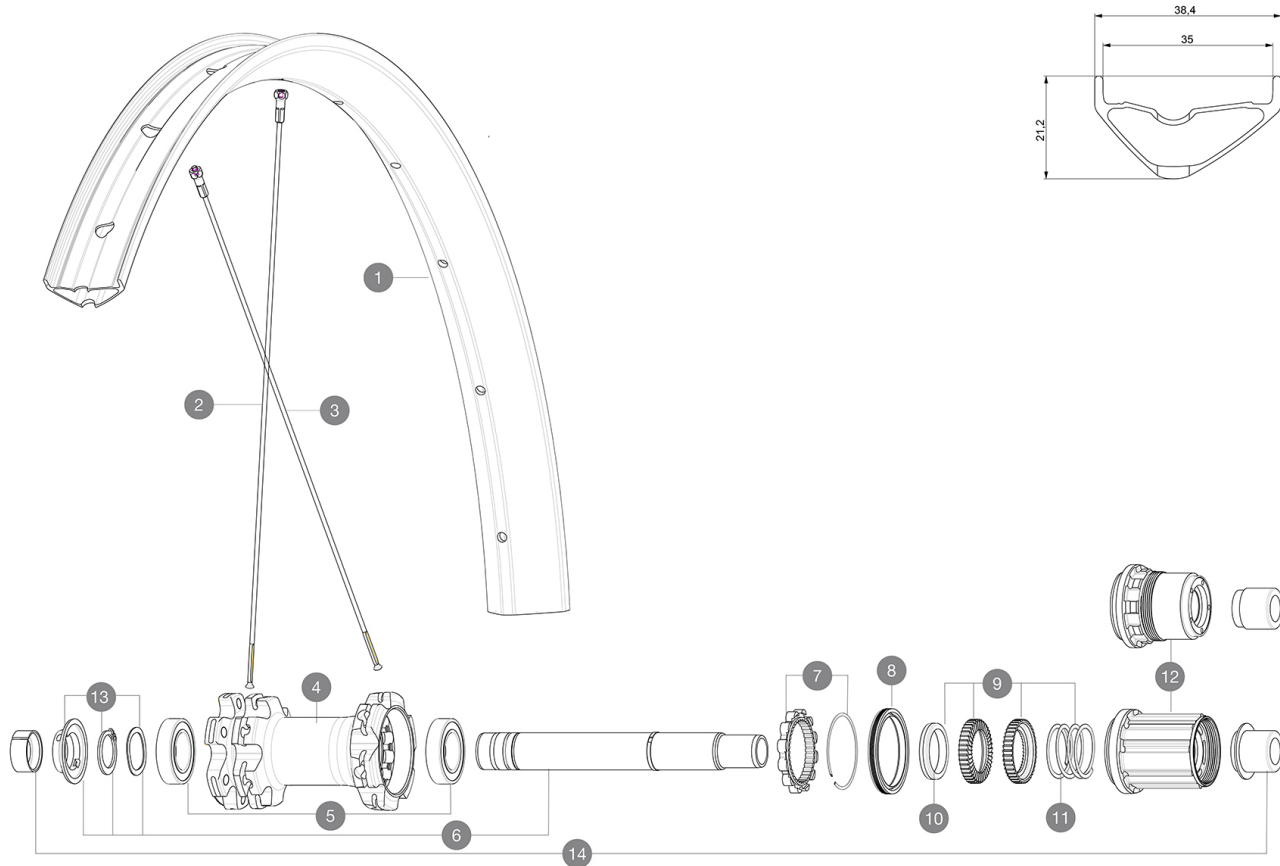


ASTM A21063 : 3 : 3 : 65mm 81mm (2.5" 3.2")

参照ホイール

R26091	XA 35 27,5 Rr Boost XD	R26081	XA 35 27,5 Rr Boost
--------	------------------------	--------	---------------------



RIMS



&NBSP;:

1	V3762215	KIT FRT/REAR RIM XA 35 27,5"
	V3710101	40mm UST Tape For 35mm Wide Rims

SPOKES

2	36690101	"12 SPOKES FRONT/OPP DRIVE SIDE CROSSONE 650b/27,5"
3	36690201	"12 SPOKES DRIVE SIDE CROSSONE 650b/27,5" 276mm"

HUB SHELLS

4	N/A	HUB BODY
5	M40076	HUB BEARINGS 17x30x7 6903 x 2
6	V2372201	KIT ID360 148 D6T AXLE WITH CLIP
7	V2252701	KIT ID360 INSERT SHAPED EAR LOBE > 2017
8	V2251601	ID360 SEAL + GREASE
9	V2375201	KIT ID360 24 TEETH 2 RATCHET + MTB SPRING + PAD (specific)
10	V2375401	KIT ID360 MTB 24T 3 NOISE REDUCING PADS
11	V2372901	KIT 3 ID360 MTB SPRINGS
12	V3790101	HG9 Steel MTB Freewheel Body ID360
12	V3740101	XD MTB Freewheel Body ID360
13	V2373001	KIT ADJUST. SYSTEM QRM AUTO ID360 for 17x30x7 bearing

ADAPTERS

14	V2510701	ID360 EVO REAR AXLE ADAPTERS 12x142mm DCL & D6T
	V2510801	ID360 EVO REAR AXLE ADAPTERS 9x135mm DCL & D6T

MAVIC XA35

付属品

UST UST (129 838 01)	
UST UST (129 838 01)	

COMPATIBILITY

UST UST XD	
UST UST XD	

Specifications

リム

- S6000
- S6000
- : 6.5mm
- : 6.5mm
- UST
- UST
- 35mm
- 35mm
- ETRTO 27.5" 584x35TSS
- ETRTO 27.5" 584x35TSS

スポーク

-
-
-
- 24
- 24
- 2
-
- 2

ホイールハブ

-
-
-
-
-
- 360
- 360

VERSIONS

-
- 6
- 6
- 110mm
- 148mm
- 110mm
- 148mm
- XD
- XD

ホイールの重み

1101