

## ASTM CATEGORY 3 : CROSS COUNTRY AND TRAIL RIDING

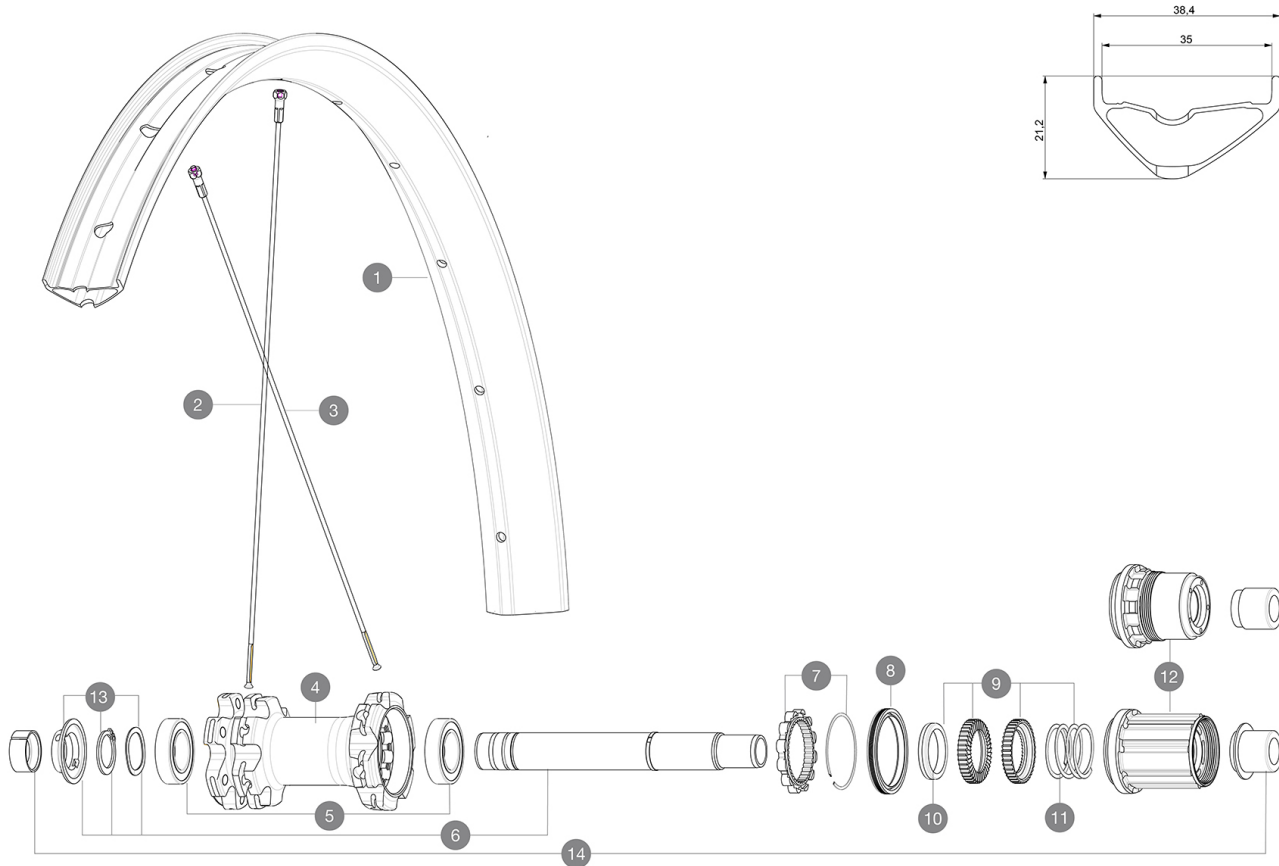
For a longer longevity of the wheel, Mavic recommends that the total weight supported by the wheels don't exceed 120kg, bike included

Recommended tyre sizes: 65mm to 81mm (2.5" to 3.2")

## REFERENCES WHEELS

R26091 XA 35 27,5 Rr Boost XD

R26081 XA 35 27,5 Rr Boost



## RIMS



&NBSP;:

|   |          |                                  |
|---|----------|----------------------------------|
| 1 | V3762215 | KIT FRT/REAR RIM XA 35 27,5"     |
|   | V3710101 | 40mm UST Tape For 35mm Wide Rims |

## SPOKES

|   |          |  |
|---|----------|--|
| 2 | 36690101 | "KIT 12 FT/NDS CROSSONE/CROSSMAX/XA 27,5"" SPK 278mm"        |
| 3 | 36690201 | "KIT 12 DS XONE/CROSSRIDE FTSX/CROSSMAX/XA 27,5"" SPK 276mm" |



## HUB SHELLS

|    |          |  |
|----|----------|--|
| 4  | N/A      | HUB BODY   |
| 5  | M40076   | HUB BEARINGS 17x30x7 6903 x 2                              |
| 6  | V2372201 | KIT ID360 148 D6T AXLE WITH CLIP                           |
| 7  | V2252701 | KIT ID360 INSERT SHAPED EAR LOBE > 2017                    |
| 8  | V2251601 | KIT ID360 SEAL + GREASE                                    |
| 9  | V2375201 | KIT ID360 24 TEETH 2 RATCHET + MTB SPRING + PAD (specific) |
| 10 | V2375401 | KIT ID360 MTB 24T 3 NOISE REDUCING PADS                    |
| 11 | V2372901 | KIT 3 ID360 MTB SPRINGS                                    |
| 12 | V3740101 | XD MTB Freewheel Body ID360                                |
| 12 | V3790101 | HG9 Steel MTB Freewheel Body ID360                         |
| 13 | V2373001 | KIT ADJUST. SYSTEM QRM AUTO ID360 for 17x30x7 bearing      |

## ADAPTERS

|    |          |                              |
|----|----------|------------------------------|
| 14 | V2510701 | ID360V2RrAxleAdapt12x142/148 |
|    | V2510801 | ID360 V2 RrAxleAdapt9x135    |

## DELIVERED WITH

|   |   |
|---|---|
| UST valve and accessories<br>(129 838 01) |  |
| UST valve and accessories<br>(129 838 01) |  |
| Tubeless rim tape                         |   |
| Tubeless rim tape                         |   |
| User guide                                |   |
| User guide                                |   |

## COMPATIBILITY

|                                 |  |
|---------------------------------|--|
| Freewheel: Shimano/Sram or XD   |  |
| Freewheel: Shimano/Sram or XD   |  |
| Freewheel: Shimano Micro Spline |  |
| Freewheel: Shimano Micro Spline |  |

## Specifications

### RIMS

- **Material** : S6000 Aluminum
  - **Material** : S6000 Aluminum
  - **Joint** : sleeved
  - **Joint** : sleeved
  - **Drilling** : traditional
  - **Drilling** : traditional
  - **Valve hole diameter** : 6.5 mm
  - **Valve hole diameter** : 6.5 mm
  - **Tyre** : UST Tubeless and tubetype
  - **Tyre** : UST Tubeless and tubetype
  - **Internal width** : 35 mm
  - **Internal width** : 35 mm
  - **ETRTO size 27.5"** : 584x35TSS
  - **ETRTO size 27.5"** : 584x35TSS
- Hookless profile  
Hookless profile  
Use with Mavic Tubeless Tape  
Use with Mavic Tubeless Tape

### SPOKES

- **Material** : steel
- **Material** : steel
- **Shape** : straight pull, round
- **Shape** : straight pull, round
- **Count** : 24 front and rear
- **Count** : 24 front and rear
- **Lacing** : front and rear crossed 2
- **Lacing** : front and rear crossed 2

### WHEEL HUB

- **Front and rear bodies** : aluminum
- **Front and rear bodies** : aluminum
- **Axle material** : aluminum
- **Axle material** : aluminum
- **Freewheel** : Instant Drive 360 steel
- **Freewheel** : Instant Drive 360 steel

### VERSIONS

- **Color** : Black only
- **Disc standard** : 6 Bolts only
- **Disc standard** : 6 Bolts only
- **Hub width** : Boost only (front 110, rear 148)
- **Hub width** : Boost only (front 110, rear 148)
- **Freewheel** : Shimano/Sram or XD
- **Freewheel** : Shimano/Sram or XD

### WHEEL WEIGHTS

1101