

MAVIC XA Elite Carb 29

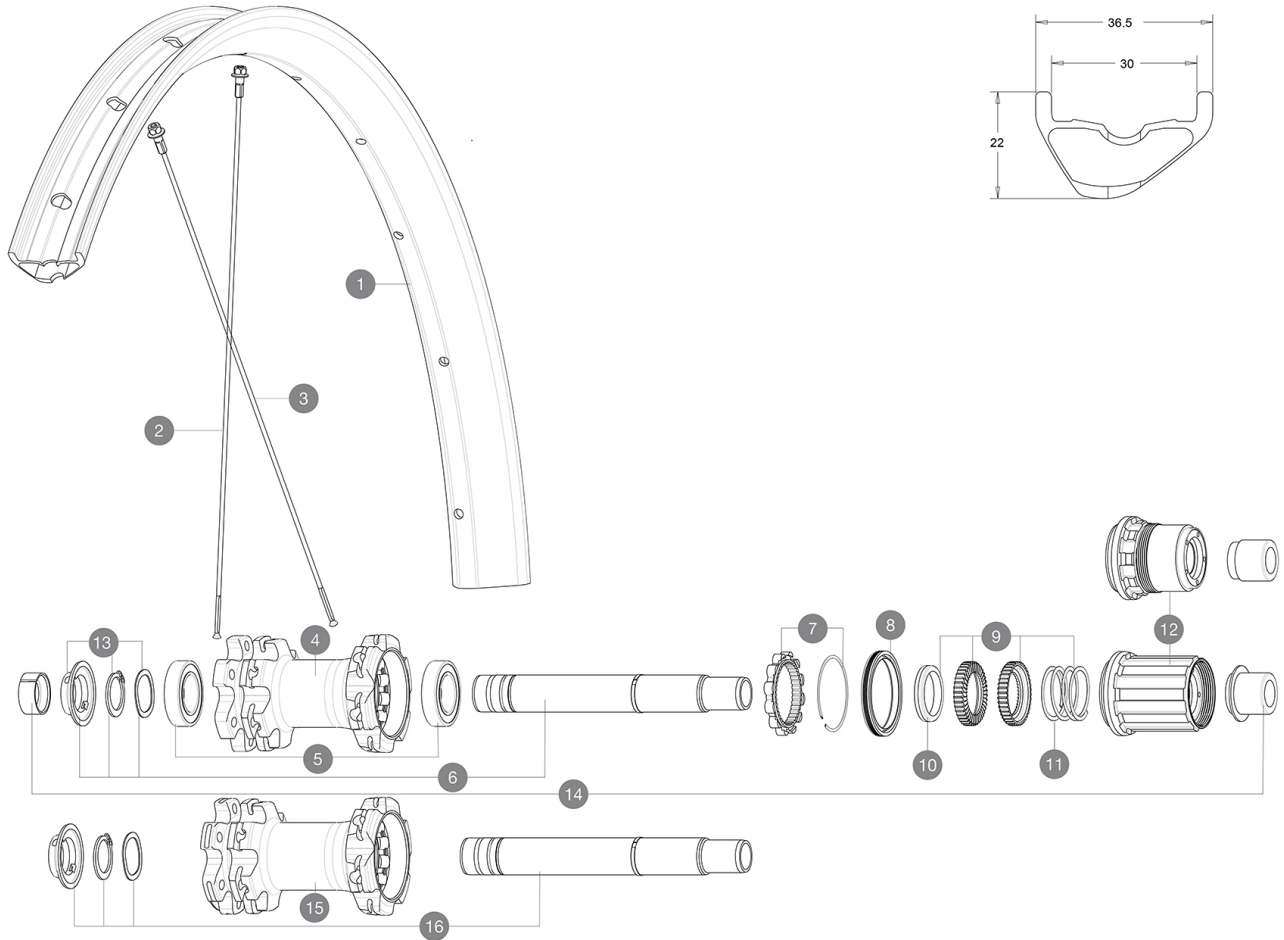
ASTM CATEGORY 3 : CROSS COUNTRY AND TRAIL RIDING

For a longer longevity of the wheel, Mavic recommends that the total weight supported by the wheels don't exceed 120kg, bike included

Recommended tyre sizes: 60mm to 76mm (2.35" to 3.0")

REFERENCES WHEELS

| | | | |
|--------|--------------------------|--------|--------------------------------|
| R24191 | XA Elite Carbon 29 Rr | R24221 | XA Elite Carbon 29 Rr Boost |
| R24211 | XA Elite Carbon 29 Rr XD | R24231 | XA Elite Carbon 29 Rr Boost XD |

**RIMS**

&NBSP;:

| | | |
|----------|----------|--|
| 1 | V3761015 | KIT FRT/REAR RIM XA ELITE Carbon 29" |
| | V3750101 | 35mm UST Green Tape for 30mm wide rims |

SPOKES

| | | |
|----------|----------|--|
| 2 | V2276401 | KIT 12 DS AKSIUM DISC ALLR 700 9 SPK 295mm |
| 3 | V2279201 | KIT 12 DS AKSIUM DISC 12mm RND SPK 292mm |

HUB SHELLS



| | | |
|-----------|----------|--|
| 4 | N/A | HUB BODY |
| 5 | M40076 | HUB BEARINGS 17x30x7 6903 x 2 |
| 6 | V2372101 | KIT ID360 135/142 D6T AXLE WITH CLIP |
| 7 | V2252701 | KIT ID360 INSERT SHAPED EAR LOBE > 2017 |
| 8 | V2251601 | KIT ID360 SEAL + GREASE |
| 9 | V2375201 | KIT ID360 24 TEETH 2 RATCHET + MTB SPRING + PAD (specific) |
| 10 | V2375401 | KIT ID360 MTB 24T 3 NOISE REDUCING PADS |
| 11 | V2372901 | KIT 3 ID360 MTB SPRINGS |
| 12 | V3740101 | XD MTB Freewheel Body ID360 |
| 12 | V3780101 | HG9 Alloy MTB Freewheel Body ID360 |
| 13 | V2373001 | KIT ADJUST. SYSTEM QRM AUTO ID360 for 17x30x7 bearing |
| 15 | N/A | HUB BODY |
| 16 | V2372201 | KIT ID360 148 D6T AXLE WITH CLIP |

ADAPTERS

| | | |
|-----------|----------|------------------------------|
| 14 | V2510701 | ID360V2RrAxleAdapt12x142/148 |
| | V2510801 | ID360 V2 RrAxleAdapt9x135 |

MAVIC XA Elite Carb 29

DELIVERED WITH

| | |
|---|---|
| UST valve and accessories (129 838 01) |  |
| UST valve and accessories (129 838 01) |  |
| Tubeless rim tape | |
| Tubeless rim tape | |
| Multifunction adjustment wrench (325 423 01) | |
| Multifunction adjustment wrench (325 423 01) | |
| User guide | |
| User guide | |

COMPATIBILITY

| | |
|---|--|
| Freewheel: Shimano/Sram or XD | |
| Freewheel: Shimano/Sram or XD | |
| Front axle: convertible from 15mm thru axle to Quick Release with adapters (delivered with non-boost wheel) | |
| Front axle: convertible from 15mm thru axle to Quick Release with adapters (delivered with non-boost wheel) | |
| Rear axle: 12mm thru axle, convertible to Quick Release with adapters (delivered with non-boost wheel) | |
| Rear axle: 12mm thru axle, convertible to Quick Release with adapters (delivered with non-boost wheel) | |
| Freewheel: Shimano Micro Spline | |
| Freewheel: Shimano Micro Spline | |

Specifications

RIMS

- **Material** : 100% Unidirectional carbon fiber
- **Material** : 100% carbon fiber
- **Drilling** : traditional
- **Drilling** : traditional
- **Valve hole diameter** : 6.5 mm
- **Valve hole diameter** : 6.5 mm
- **Tyre** : UST Tubeless and tubetype
- **Tyre** : UST Tubeless and tubetype
- **Internal width** : 30 mm
- **Internal width** : 30 mm

Hookless profile

Hookless profile

Use with Mavic Tubeless Tape

Use with Mavic Tubeless Tape

- **ETRTO size 27.5"** : 584x30TSS
- **ETRTO size 27.5"** : 584x30TSS
- **ETRTO size 29"** : 622x30TSS
- **ETRTO size 29"** : 622x30TSS

SPOKES

- **Material** : steel
- **Material** : steel
- **Shape** : straight pull, round
- **Shape** : straight pull, round
- **Count** : 24 front and rear
- **Count** : 24 front and rear
- **Lacing** : front and rear crossed 2
- **Lacing** : front and rear crossed 2

WHEEL HUB

- **Front and rear bodies** : aluminum
 - **Front and rear bodies** : aluminum
 - **Axle material** : aluminum
 - **Axle material** : aluminum
- Auto adjust sealed cartridge bearings (QR Auto), front and rear
- Auto adjust sealed cartridge bearings (QR Auto), front and rear
- **Freewheel** : Instant Drive 360
 - **Freewheel** : Instant Drive 360

VERSIONS

- **Color** : Black only
- **Disc standard** : 6 Bolts only
- **Disc standard** : 6 Bolts only
- **Hub width** : Boost (front 110, rear 148) or Non-Boost (front 100, rear 135/142)
- **Hub width** : Boost (front 110, rear 148) or Non-Boost (front 100, rear 135/142)
- **Freewheel** : Shimano/Sram or XD
- **Freewheel** : Shimano/Sram or XD

WHEEL WEIGHTS