

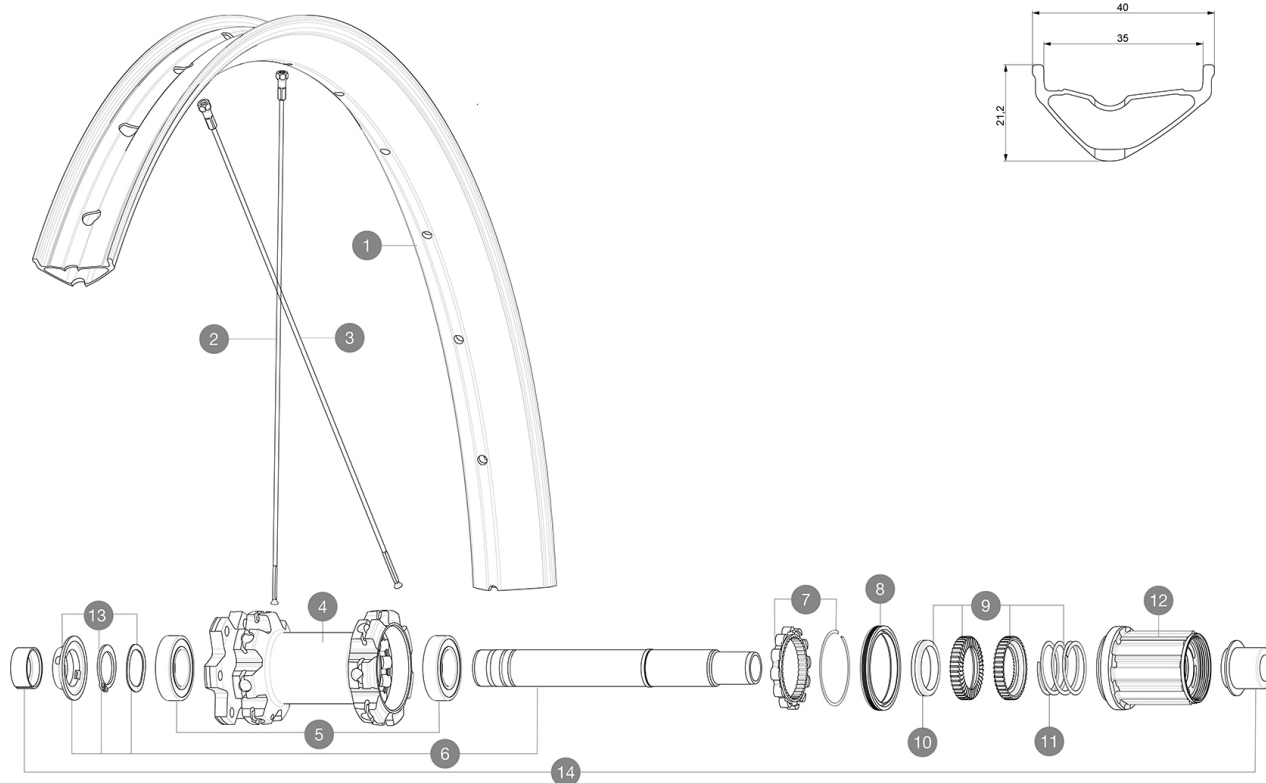
ASTM CATEGORY 3 : CROSS COUNTRY AND TRAIL RIDING

For a longer longevity of the wheel, Mavic recommends that the total weight supported by the wheels don't exceed 150kg, bike included

Recommended tyre sizes: 65mm to 81mm (2.5" to 3.2")

REFERENCES WHEELS

P88801	E-XA 35 27,5 Pr Bst	R26051	E-XA 35 27,5 Pr Boost XD
P88811	E-XA 35 27,5 Pr Bst XD	R26041	E-XA 35 27,5 Pr Boost



RIMS



&NBSP;:

1	V3763715	KIT FRT/REAR RIM E-XA 27,5"
	V3710101	40mm UST Tape For 35mm Wide Rims

SPOKES

2	V3821301	KIT 14 FRT/ND S E-CROSSMAX/E-XA 27,5" FLAT SPOKE 282mm + nip
3	V3821501	KIT 14 DS E-CROSSMAX/E-XA 27,5" FLAT SPOKE 280mm + nippl.

HUB SHELLS

4	N/A	HUB BODY
5	M40076	HUB BEARINGS 17x30x7 6903 x 2
6	V2372201	KIT ID360 148 D6T AXLE WITH CLIP
7	V2252701	KIT ID360 INSERT SHAPED EAR LOBE > 2017
8	V2251601	KIT ID360 SEAL + GREASE while stock lasts
9	V2375201	KIT ID360 24 TEETH 2 RATCHET + MTB SPRING + PAD (specific)
10	V2375401	KIT ID360 MTB 24T 3 NOISE REDUCING PADS
11	V2372901	KIT 3 ID360 MTB SPRINGS
12	V3790101	HG9 Steel MTB Freewheel Body ID360
13	V2373001	KIT ADJUST. SYSTEM QRM AUTO ID360 for 17x30x7 bearing

OPTIONS


12	A00090231	FREEWHEEL BODY MS STMTB ID360
----	-----------	-------------------------------

ADAPTERS

14	V2510701	ID360V2RrAxleAdapt12x142/148
	V2510801	ID360 V2 RrAxleAdapt9x135

MAVIC E-XA35

DELIVERED WITH

UST valve and accessories (129 838 01)	
UST valve and accessories (129 838 01)	
UST valve and accessories (129 838 01)	
Specific disc bolts (308 719 01)	
Specific disc bolts (308 719 01)	
Specific disc bolts (308 719 01)	
Tubeless rim tape	
Tubeless rim tape	
Tubeless rim tape	
User guide	
User guide	
User guide	

COMPATIBILITY

Freewheel: Shimano/Sram or XD	
Freewheel: Shimano/Sram or XD	
Freewheel: Shimano Micro Spline	
Freewheel: Shimano Micro Spline	

Specifications

RIMS

- **Material** : S6000 Aluminum
- **Material** : S6000 Aluminum
- **Material** : S6000 Aluminum
- **Joint** : sleeved
- **Joint** : sleeved
- **Joint** : sleeved
- **Drilling** : traditional
- **Drilling** : traditional
- **Drilling** : traditional

E-Bike specific rim profile

E-Bike specific rim profile

E-Bike specific rim profile

- **Valve hole diameter** : 6.5 mm
- **Valve hole diameter** : 6.5 mm
- **Valve hole diameter** : 6.5 mm
- **Tyre** : UST Tubeless and tubetype
- **Tyre** : UST Tubeless and tubetype
- **Tyre** : UST Tubeless and tubetype
- **Internal width** : 35 mm
- **Internal width** : 35 mm
- **Internal width** : 35 mm
- **ETRTD size 27.5"** : 584x35TSS

Download **ETRTD size 27.5"** : 584x35TSS Date: 2025-01-09

• **ETRTD size 27.5"** : 584x35TSS

WHEEL HUB

- **Front and rear bodies** : aluminum
- **Front and rear bodies** : aluminum
- **Front and rear bodies** : aluminum
- **Axle material** : aluminum
- **Axle material** : aluminum
- **Axle material** : aluminum

Auto adjust sealed cartridge bearings (QRM Auto), front and rear

Auto adjust sealed cartridge bearings (QRM Auto), front and rear

- **Freewheel** : Instant Drive 360 steel

- **Freewheel** : Instant Drive 360 steel

Instant Drive 360

QRM Auto

VERSIONS

- **Color** : Black only
- **Color** : Black only
- **Disc standard** : 6 Bolts only
- **Disc standard** : 6 Bolts only
- **Disc standard** : 6 Bolts only
- **Hub width** : Boost only (front 110, rear 148)
- **Hub width** : Boost only (front 110, rear 148)
- **Hub width** : Boost only (front 110, rear 148)
- **Freewheel** : Shimano/Sram or XD

WHEEL WEIGHTS

1101