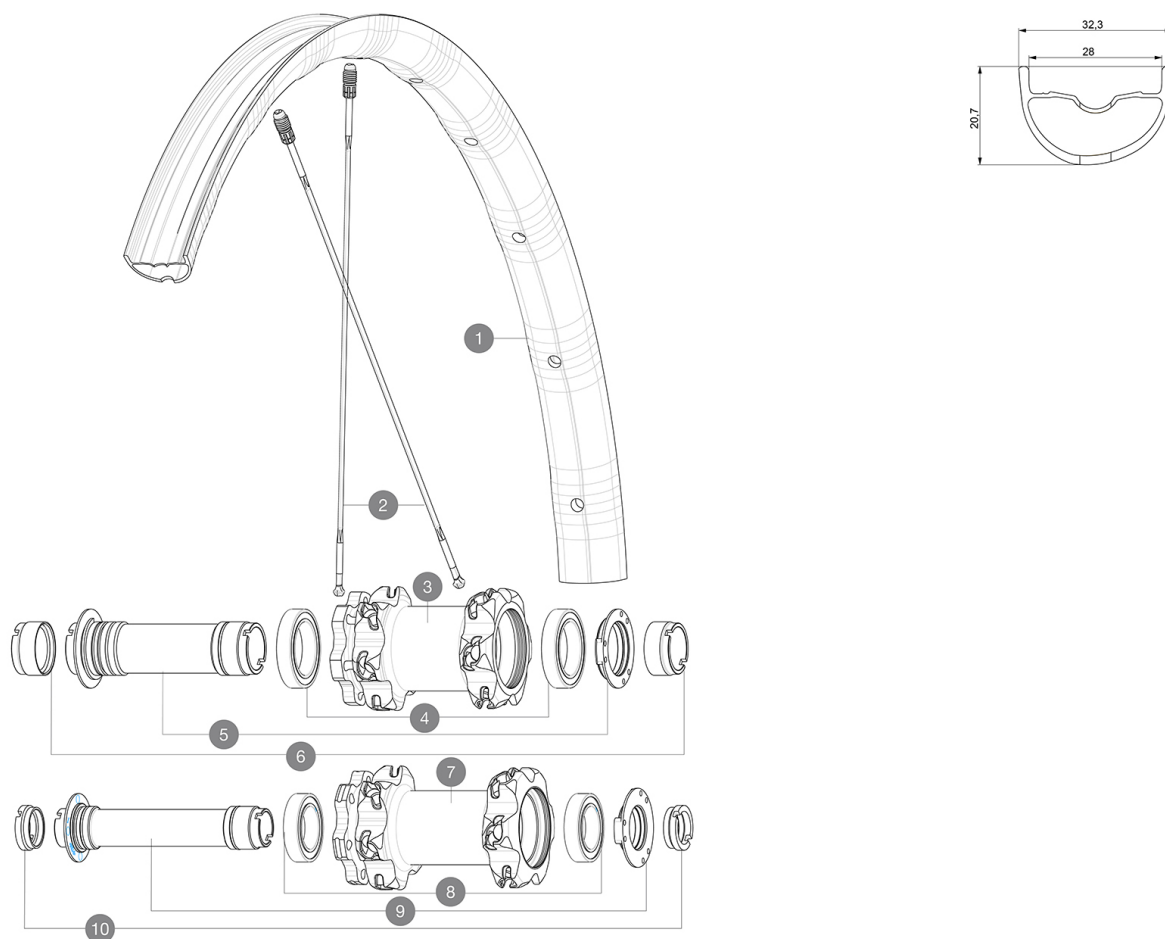


ASTM A479 4 : 46mm x 64mm (1.8" x 2.5")

参照ホイール

F81721	Deemax Pro 29 19 Ft 20x110	F81731	Deemax Pro 29 19 Ft Bst 15x110
--------	----------------------------	--------	--------------------------------



RIMS



&NBSP;:

1	V3762310	KIT FRONT RIM DEEMAX PRO 19 29"
---	----------	---------------------------------

SPOKES

2	A7209901	KIT 12 FT/NDS CROSSMAX XL/DEEMAX PRO 19 29" SPK 293mm
2	V3820601	KIT 2 FRT/NDS STAMPED SPOKE 293mm DEEMAX PRO 29" - while st

HUB SHELLS

3	N/A	HUB BODY
4	M40179	FRONT BEARING 25x37x7 20mm AXLE
5	30870501	FRONT AXLE 20mm CROSSMAX ST/SX + DEEMAX ULTI 2012
7	N/A	HUB BODY
8	99688501	BEARING KIT 9/15 D6T HUB
9	V2370701	KIT FRONT QRM+ AXLE BOOST INTL 110mm

OPTIONS


V2650201	ADAPTER Front Torque Cap 15x31 MTB QRM +
----------	--

ADAPTERS

6	12982901	20mm adapter for Crossmax ST/SX (front wheel)
10	B4104401	15mm FT Road Axle Adapters 16
	B4104301	9mm FT road Axle Adapters 16
	12982801	15mm ADAPTER KIT - 2012 WHEELS
	12982701	9mm Adapters + QR for Crossmax ST/SX (front wheel)

MAVIC Deemax Pro 29

付属品

UST (129 838 01)	
308 719 01	
325 423 01	

COMPATIBILITY

XD	
Front axle: 20mm, convertible to 15mm thru axle with included adapters	
12mm	

Specifications

リム

- : FORE
- ISM 4D
- 6.5mm
- UST
- 28mm

スポーク

- : 24
- 2A

ホイールハブ

- 6
- QRM+
- QRM
- 360

VERSIONS

- 6
- 110mm
- 148mm
- XD

ホイールの重み