

ASTM CATEGORY 4 : ENDURO AND TRAIL RIDING

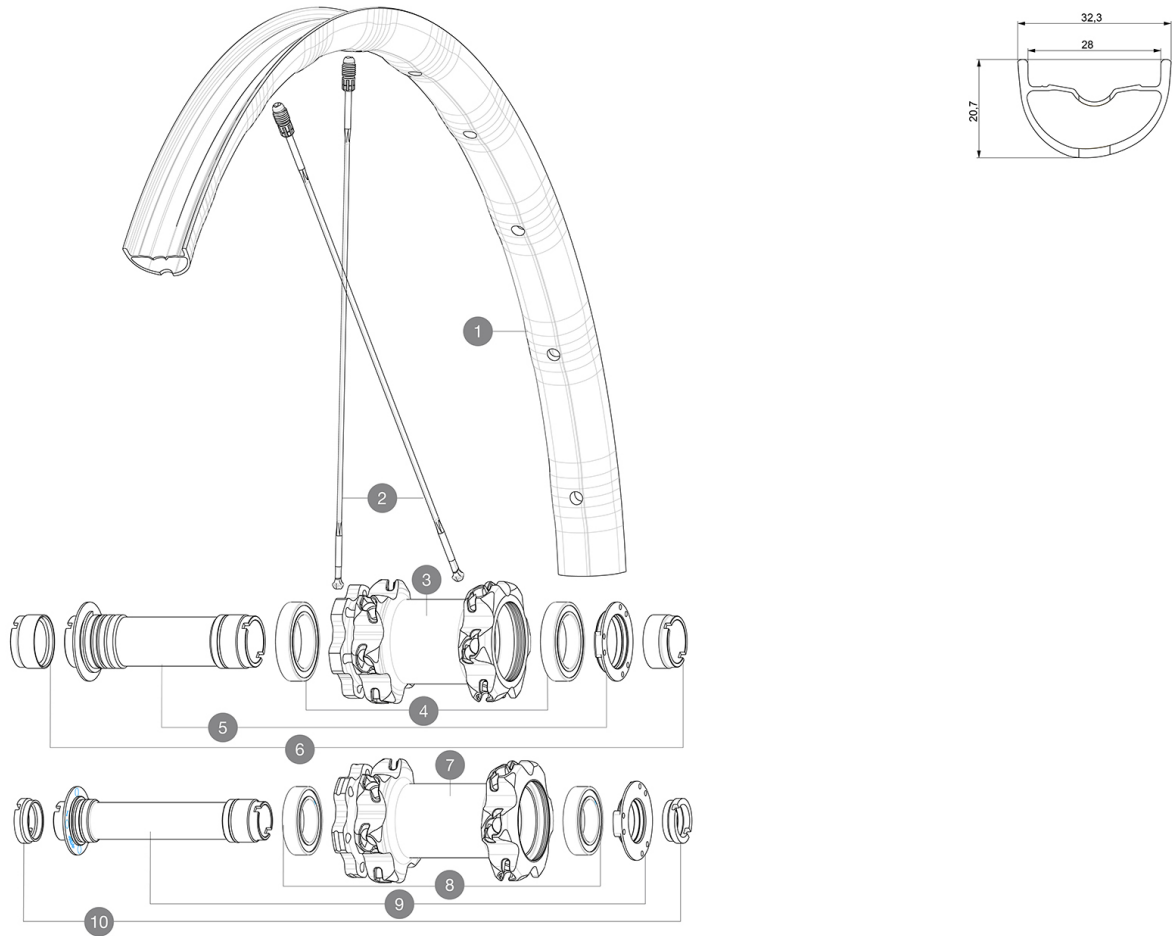
For a longer longevity of the wheel, Mavic recommends that the total weight supported by the wheels don't exceed 120kg, bike included

Recommended tyre sizes: 46mm to 64mm (1.8" to 2.5")

REFERENCES WHEELS

F81721 Deemax Pro 29 19 Ft 20x110

F81731 Deemax Pro 29 19 Ft Bst 15x110



RIMS



&NBSP;:

1 V3762310 KIT FRONT RIM DEEMAX PRO 19 29"

SPOKES

2 A7209901 KIT 12 FT/NDS CROSSMAX XL/DEEMAX PRO 19 29" SPK 293mm
2 V3820601 KIT 2 FRT/NDS STAMPED SPOKE 293mm DEEMAX PRO 29" - while st

HUB SHELLS

3 N/A HUB BODY
4 M40179 FRONT BEARING 25x37x7 20mm AXLE
5 30870501 FRONT AXLE 20mm CROSSMAX + DEEMAX ULTI 2012
7 N/A HUB BODY
8 99688501 BEARING KIT 9/12/15 D6T HUB 20x32x7 6804
9 V2370701 KIT FRONT QRM+ AXLE BOOST INTL 110mm

OPTIONS


V2650201 ADAPTER Front Torque Cap 15x31 MTB QRM +

ADAPTERS

6 12982901 ADAPTER Ft 20x110mm
10 B4104401 ADAPTER Ft 15mm QRM+
B4104301 ADAPTER Ft 9mm QR QRM+
12982801 ADAPTER Ft 20 to 15mm
12982701 ADAPTER Ft 20 to 9mm QR incl.

MAVIC Deemax Pro 29

DELIVERED WITH

UST valve and accessories (129 838 01)	
Specific disc bolts (308 719 01)	
Multifunction adjustment wrench (325 423 01)	
User guide	

COMPATIBILITY

Freewheel: Shimano/Sram or XD	
Front axle: 20mm, convertible to 15mm thru axle with included adapters	
Rear axle: 12mm thru axle, convertible to Quick Release with optional adapters	
Freewheel: Shimano Micro Spline	

Specifications

RIMS

- **Material** : Mxtral
- **Drilling** : Fore
- **Weight reduction** : ISM 4D
- **Valve hole diameter** : 6.5 mm
- **Tyre** : UST Tubeless and tubetype
- **Internal width** : 28 mm

Hookless profile

SPOKES

- **Material** : Zicral
- **Shape** : straight pull, flat
- **Nipples** : Fore integrated aluminum
- **Count** : 24 front and rear
- **Lacing** : front crossed 2, rear Isopulse

WHEEL HUB

- **Front and rear bodies** : aluminum
- **Front bearings** : adjustable sealed cartridge bearings (QRM+), Rear bearings auto adjust sealed cartridge bearings (QRM Auto)
- **Freewheel** : Instant Drive 360

VERSIONS

- **Disc standard** : 6 Bolts only
- **Hub width** : Boost only (front 110, rear 148)
- **Freewheel** : Shimano/Sram or XD

WHEEL WEIGHTS