

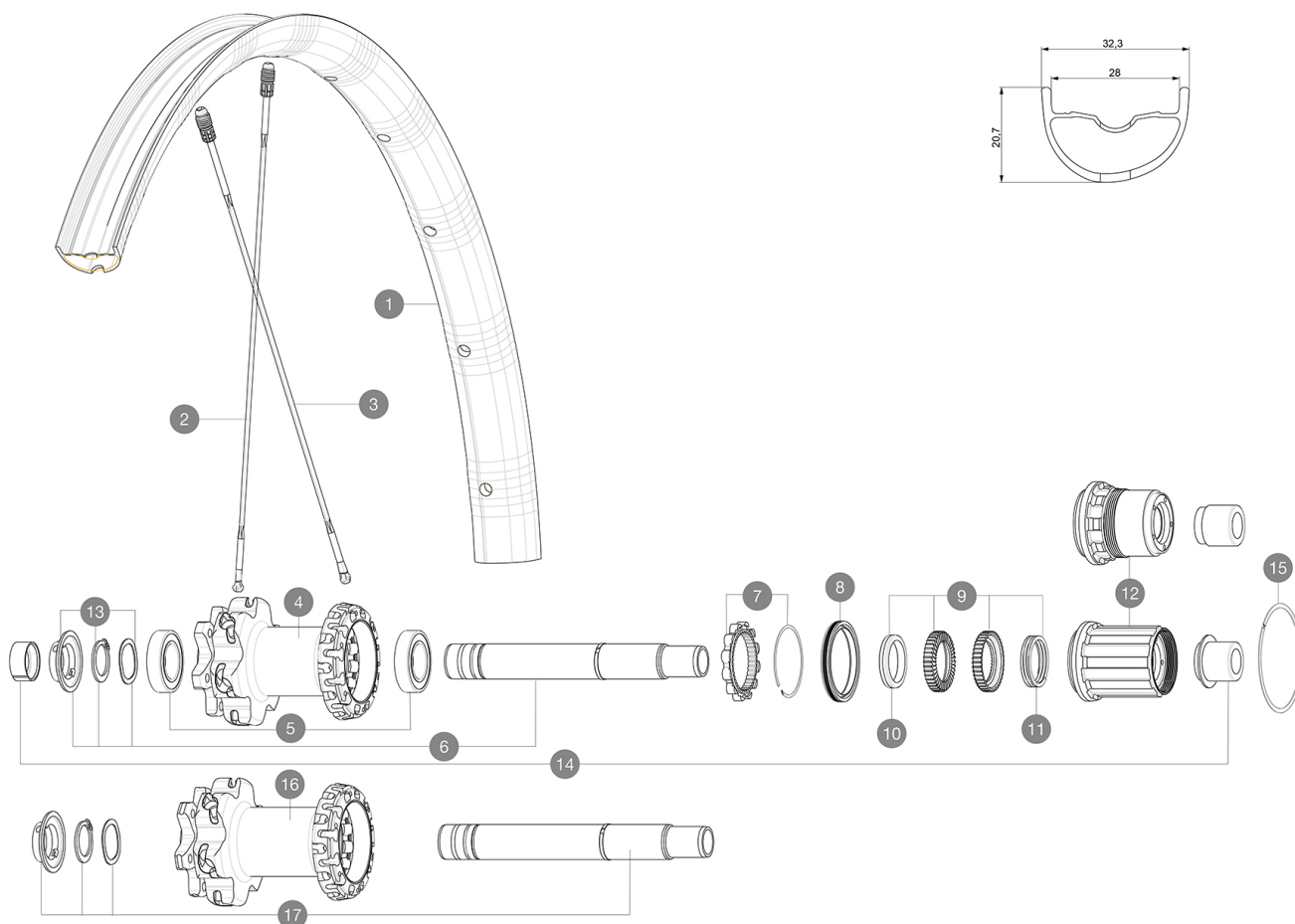
ASTM CATEGORY 4 : ENDURO AND TRAIL RIDING

For a longer longevity of the wheel, Mavic recommends that the total weight supported by the wheels don't exceed 120kg, bike included

Recommended tyre sizes: 46mm to 64mm (1.8" to 2.5")

REFERENCES WHEELS

| | | | |
|--------|------------------------|--------|------------------------------|
| R24471 | Deemax Pro 29 19 Rr | R24491 | Deemax Pro 29 19 Rr Boost |
| R24481 | Deemax Pro 29 19 Rr XD | R24511 | Deemax Pro 29 19 Rr Boost XD |



RIMS



&NBSP;:

| | | |
|---|----------|--------------------------------|
| 1 | V3762413 | KIT REAR RIM DEEMAX PRO 19 29" |
|---|----------|--------------------------------|

SPOKES

| | | |
|---|----------|---|
| 2 | A7209901 | KIT 12 FT/NDS CROSSMAX XL/DEEMAX PRO 19 29" SPK 293mm |
| 2 | V3820601 | KIT 2 FRT/NDS STAMPED SPOKE 293mm DEEMAX PRO 29" - while st |
| 3 | V2386501 | KIT 12 DS CROSSMAX PRO/XA PRO/DEEMAX PRO 19 29" ALU SPOKE 2 |

HUB SHELLS


| | | |
|----|----------|--|
| 4 | N/A | HUB BODY |
| 5 | M40076 | HUB BEARINGS 17x30x7 6903 x 2 |
| 6 | V2372101 | KIT ID360 135/142 D6T AXLE WITH CLIP |
| 7 | V2252701 | KIT ID360 INSERT SHAPED EAR LOBE > 2017 |
| 8 | V2251601 | KIT ID360 SEAL + GREASE |
| 9 | V2375201 | KIT ID360 24 TEETH 2 RATCHET + MTB SPRING + PAD (specific) |
| 10 | V2375401 | KIT ID360 MTB 24T 3 NOISE REDUCING PADS |
| 11 | V2372901 | KIT 3 ID360 MTB SPRINGS |
| 12 | V3740101 | XD MTB Freewheel Body ID360 |
| 12 | V3780101 | HG9 Alloy MTB Freewheel Body ID360 |
| 13 | V2373001 | KIT ADJUST. SYSTEM QRM AUTO ID360 for 17x30x7 bearing |
| 15 | V2252201 | KIT 2 REAR HUB RETENTION RINGS 48mm |
| 16 | N/A | HUB BODY |
| 17 | V2372201 | KIT ID360 148 D6T AXLE WITH CLIP |

ADAPTERS

| | | |
|----|----------|------------------------------|
| 14 | V2510701 | ID360V2RrAxleAdapt12x142/148 |
| | V2510801 | ID360 V2 RrAxleAdapt9x135 |

MAVIC Deemax Pro 29

DELIVERED WITH

| | |
|---|---|
| UST valve and accessories (129 838 01) |  |
| Specific disc bolts (308 719 01) | |
| Multifunction adjustment wrench (325 423 01) | |
| User guide | |

COMPATIBILITY

| | |
|--|--|
| Freewheel: Shimano/Sram or XD | |
| Front axle: 20mm, convertible to 15mm thru axle with included adapters | |
| Rear axle: 12mm thru axle, convertible to Quick Release with optional adapters | |
| Freewheel: Shimano Micro Spline | |

Specifications

RIMS

- **Material** : Mxstal
 - **Drilling** : Fore
 - **Weight reduction** : ISM 4D
 - **Valve hole diameter** : 6.5 mm
 - **Tyre** : UST Tubeless and tubetype
 - **Internal width** : 28 mm
- Hookless profile

SPOKES

- **Material** : Zicral
- **Shape** : straight pull, flat
- **Nipples** : Fore integrated aluminum
- **Count** : 24 front and rear
- **Lacing** : front crossed 2, rear Isopulse

WHEEL HUB

- **Front and rear bodies** : aluminum
- **Front bearings** : adjustable sealed cartridge bearings (QRM+), Rear bearings auto adjust sealed cartridge bearings (QRM Auto)
- **Freewheel** : Instant Drive 360

VERSIONS

- **Disc standard** : 6 Bolts only
- **Hub width** : Boost only (front 110, rear 148)
- **Freewheel** : Shimano/Sram or XD

WHEEL WEIGHTS