

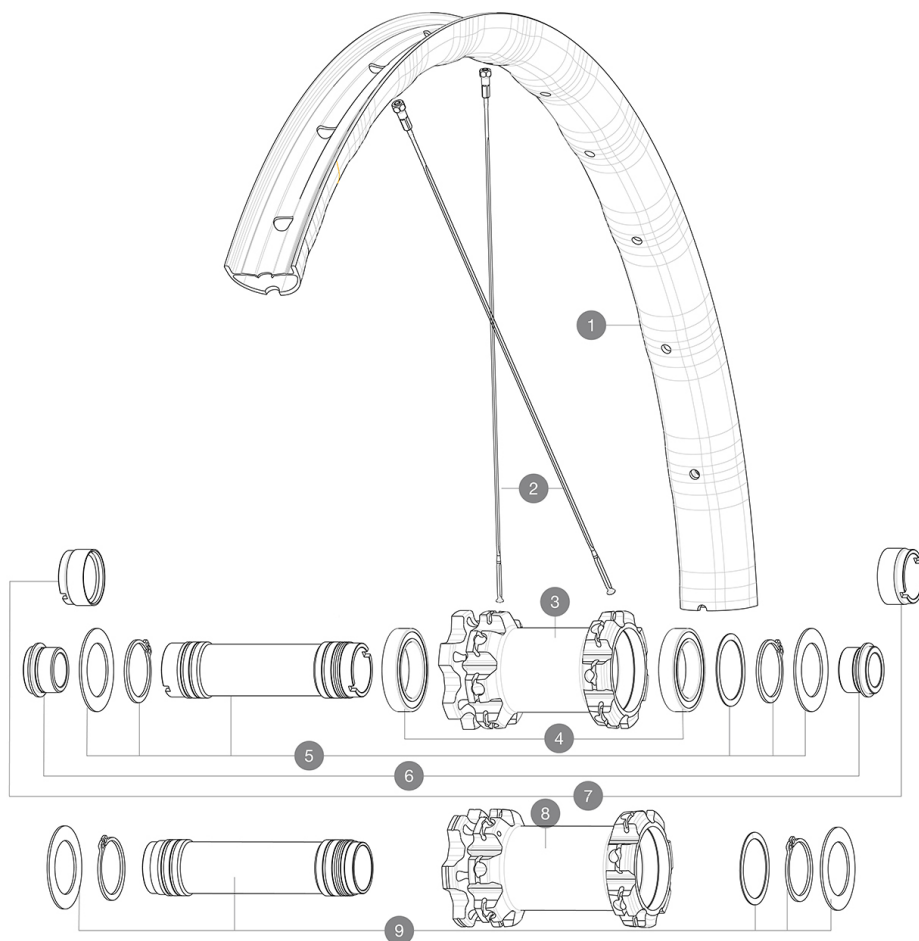
ASTM CATEGORY 4 : ENDURO AND TRAIL RIDING

For a longer longevity of the wheel, Mavic recommends that the total weight supported by the wheels don't exceed 120kg, bike included

Recommended tyre sizes: 60mm to 76mm (2.35" to 3.0")

REFERENCES WHEELS

| | | | |
|--------|--------------------------------|--------|----------------------|
| F82751 | Deemax Elite 27,5 Ft Bst Black | F82741 | Deemax Elite 27,5 Ft |
| R36511 | Deemax Elite 27,5 Rr Bst MS | | |



RIMS



&NBSP;:

| | | |
|---|----------|--|
| 1 | V3762810 | KIT FRONT RIM DEEMAX ELITE 27,5" |
| | V3750101 | 35mm UST Green Tape for 30mm wide rims |

SPOKES

| | | |
|---|----------|---|
| 2 | V3820701 | KIT 14 FRONT DEEMAX ELITE/E-XA ELITE 19 27,5" FLAT BUTTED S |
|---|----------|---|

HUB SHELLS

| | | |
|---|----------|---|
| 3 | N/A | HUB BODY |
| 4 | M40179 | FRONT BEARING 25x37x7 20mm AXLE |
| 5 | V2373801 | KIT 20x110mm AXLE QRM AUTO MTB > 2019 |
| 8 | N/A | HUB BODY |
| 9 | V2373701 | KIT 20x110mm BOOST AXLE QRM AUTO MTB > 2019 |



OPTIONS

| | |
|----------|--------------------------------|
| V2650401 | TORQUECAP20*31 FT QRM AUTO MTB |
|----------|--------------------------------|

ADAPTERS

| | | |
|---|----------|-------------------------------|
| 6 | 12982801 | ADAPTER Ft 20 to 15mm |
| 7 | 12982901 | ADAPTER Ft 20x110mm |
| | 12982701 | ADAPTER Ft 20 to 9mm QR incl. |

DELIVERED WITH

| | |
|---|---|
| UST valve and accessories (129 838 01) |  |
| UST valve and accessories (129 838 01) |  |
| Specific disc bolts (308 719 01) | |
| Specific disc bolts (308 719 01) | |
| Tubeless rim tape | |
| Tubeless rim tape | |

COMPATIBILITY

| | |
|--|--|
| Freewheel: Shimano/Sram or XD | |
| Freewheel: Shimano/Sram or XD | |
| Front axle: 15mm, convertible to 20mm thru axle with included adapters | |
| Front axle: 15mm, convertible to 20mm thru axle with included adapters | |
| Rear axle: 12mm thru axle, convertible to Quick Release with optional adapters | |
| Rear axle: 12mm thru axle, convertible to Quick Release with optional adapters | |
| Freewheel: Shimano Micro Spline | |
| Freewheel: Shimano Micro Spline | |

Specifications

RIMS

- **Material** : Mxstal
- **Material** : Mxstal
- **Joint** : SUP
- **Joint** : SUP
- **Drilling** : traditional
- **Drilling** : traditional
- **Weight reduction** : ISM 4D
- **Weight reduction** : ISM 4D
- **Valve hole diameter** : 6.5 mm
- **Valve hole diameter** : 6.5 mm
- **Tyre** : UST Tubeless and tubetype
- **Tyre** : UST Tubeless and tubetype
- **Internal width** : 30 mm
- **Internal width** : 30 mm

Use with Mavic Tubeless Tape

Use with Mavic Tubeless Tape

- **ETRTO size 27.5"** : 584x30TSS
- **ETRTO size 27.5"** : 584x30TSS
- **ETRTO size 29"** : 622x30TSS
- **ETRTO size 29"** : 622x30TSS

SPOKES

- **Material** : steel
- **Material** : steel
- **Shape** : straight pull, flat, double butted
- **Shape** : straight pull, flat, double butted
- **Count** : 28 front and rear
- **Count** : 28 front and rear
- **Lacing** : front and rear crossed 3
- **Lacing** : front and rear crossed 3

WHEEL HUB

- **Front and rear bodies** : aluminum
 - **Front and rear bodies** : aluminum
 - **Axle material** : aluminum
 - **Axle material** : aluminum
- Auto adjust sealed cartridge bearings (QRM Auto), front and rear
- Auto adjust sealed cartridge bearings (QRM Auto), front and rear
- **Freewheel** : Instant Drive 360
 - **Freewheel** : Instant Drive 360

VERSIONS

- **Color** : Black only
 - **Disc standard** : 6 Bolts only
 - **Disc standard** : 6 Bolts only
 - **Hub width** : Boost (front 110, rear 148) or Non-Boost (front 100, rear 135/142)
 - **Hub width** : Boost (front 110, rear 148) or Non-Boost (front 100, rear 135/142)
 - **Freewheel** : Shimano/Sram or XD
- Freewheel; SRAM XD, Shimano HG, Shimano Micro-Spline

WHEEL WEIGHTS

- Weight Front 27.5": 892
- Weight Front 29": 938