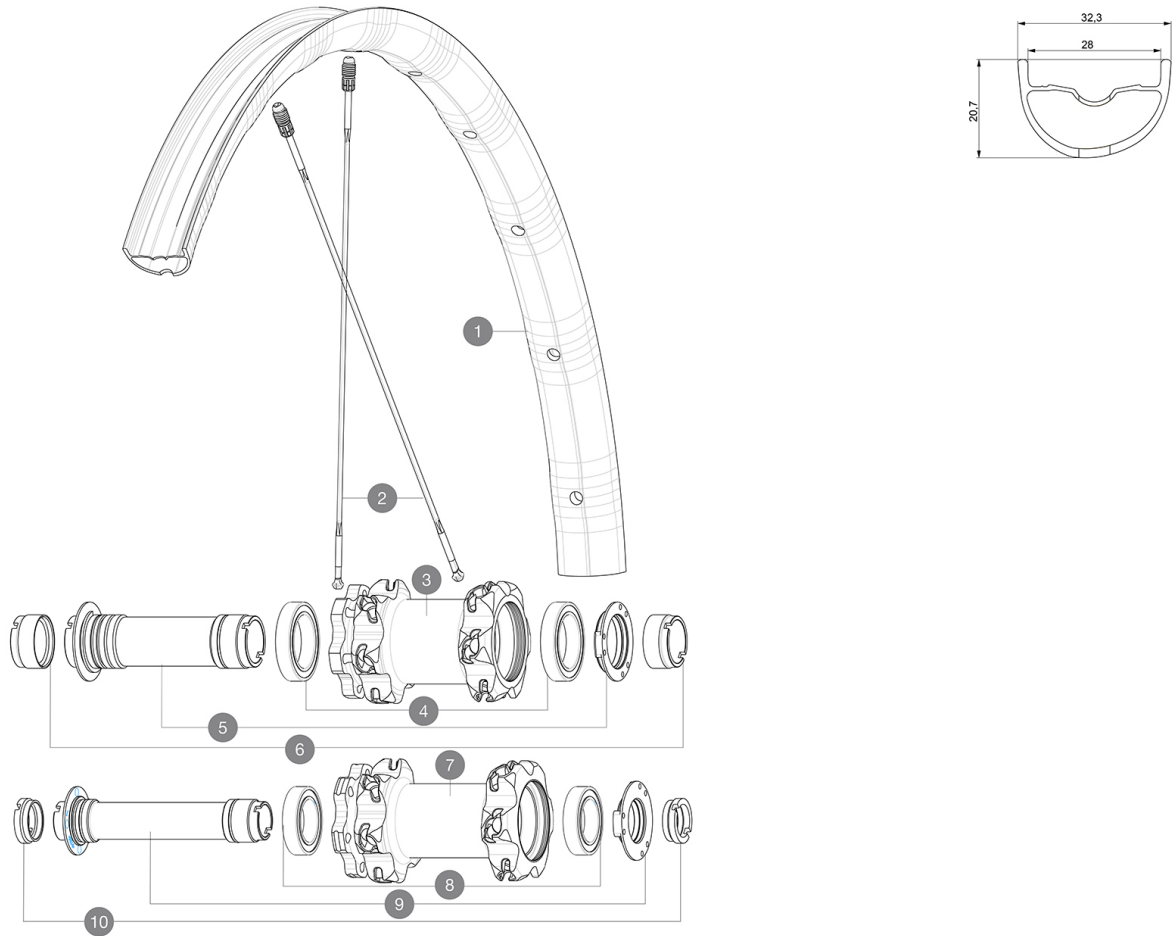


ASTM A479 4 : 120 46mm 64mm (1.8" 2.5")

参照ホイール

F83721	Deemax Pro 27,5 19 Ft Boost	F83711	Deemax Pro 27.5 19 Ft
--------	-----------------------------	--------	-----------------------



RIMS



&NBSP;:

1	V3760210	KIT FRONT RIM DEEMAX PRO 19 27,5"
---	----------	-----------------------------------

SPOKES

2	V2386101	KIT 1 FRT/1 NDS STAMPED SPOKES 275mm DEEMAX PRO - while
2	V2384701	KIT 12 FRONT + 1 REAR NON-DRIVE SIDE BUTTED ZICRAL SPOKES 2

HUB SHELLS

3	N/A	HUB BODY
4	M40179	FRONT BEARING 25x37x7 20mm AXLE
5	30870501	FRONT AXLE 20mm CROSSMAX ST/SX + DEEMAX ULTI 2012
7	N/A	HUB BODY
8	99688501	BEARING KIT 9/15 D6T HUB
9	V2370701	KIT FRONT QRM+ AXLE BOOST INTL 110mm

OPTIONS


V2650201	ADAPTER Front Torque Cap 15x31 MTB QRM +
----------	--

ADAPTERS

6	12982901	20mm adapter for Crossmax ST/SX (front wheel)
10	B4104401	15mm FT Road Axle Adapters 16
	B4104301	9mm FT road Axle Adapters 16
	12982801	15mm ADAPTER KIT - 2012 WHEELS
	12982701	9mm Adapters + QR for Crossmax ST/SX (front wheel)

MAVIC Deemax Pro 27,5

付属品

UST (129 838 01)	

COMPATIBILITY

Front axle: 20mm, convertible to 15mm thru axle with included adapters	

Specifications

リム

- 素材: 6061アルミニウム
- 幅: FORE 40mm, ISM 40mm
- 幅: 6.5mm
- 構造: UST
- 幅: 28mm
- 幅: 28mm

スポーク

- 素材: 6061アルミニウム
- 幅: FORE 40mm, ISM 40mm
- 幅: 6.5mm
- 構造: UST
- 幅: 28mm
- 幅: 28mm

ホイールハブ

- 素材: 6061アルミニウム
- 幅: FORE 40mm, ISM 40mm
- 幅: 6.5mm
- 構造: UST
- 幅: 28mm
- 幅: 28mm

VERSIONS

- 幅: 60mm
- 幅: 110mm
- 幅: 148mm
- 幅: 148mm
- 幅: 148mm

ホイールの重み

- Weight Front 27.5": 840g
- Weight Front 29": 890g