

MAVIC Deemax Pro 27,5

1
2019
REAR

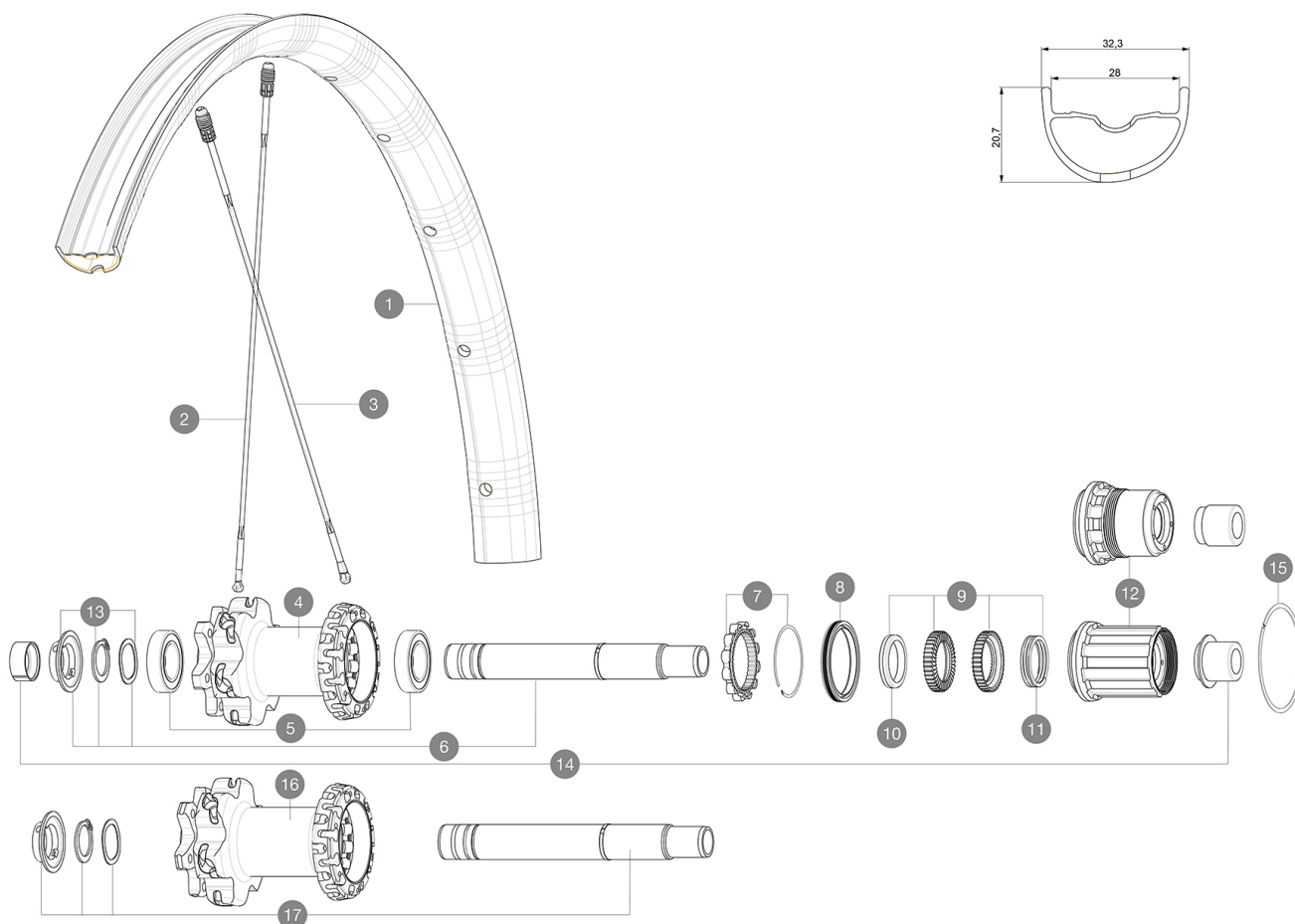
ASTM CATEGORY 4 : ENDURO AND TRAIL RIDING

For a longer longevity of the wheel, Mavic recommends that the total weight supported by the wheels don't exceed 120kg, bike included

Recommended tyre sizes: 46mm to 64mm (1.8" to 2.5")

REFERENCES WHEELS

R27971	Deemax Pro 27,5 19 Rr XD	R27991	Deemax Pro 27,5 19 Rr Boost XD
R27981	Deemax Pro 27,5 19 Rr Boost	R27961	Deemax Pro 27,5 19 Rr



RIMS



&NBSP;:

1	V3761913	KIT REAR RIM DEEMAX PRO 19 27,5"
---	----------	----------------------------------

SPOKES

2	V2386101	KIT 1 FRT/1 NDS STAMPED SPOKES 275mm DEEMAX PRO - while stoc
2	V2384701	KIT 12 FT/NDS CROSSMAX PRO 27,5" SPK 275mm
3	V2386601	KIT 12 DS CROSSMAX PRO/XA PRO/E-DEEMAX PRO 19 27,5" BUTTED

HUB SHELLS


4	N/A	HUB BODY
5	M40076	HUB BEARINGS 17x30x7 6903 x 2
6	V2372101	KIT ID360 135/142 D6T AXLE WITH CLIP
7	V2252701	KIT ID360 INSERT SHAPED EAR LOBE > 2017
8	V2251601	KIT ID360 SEAL + GREASE
9	V2375201	KIT ID360 24 TEETH 2 RATCHET + MTB SPRING + PAD (specific)
10	V2375401	KIT ID360 MTB 24T 3 NOISE REDUCING PADS
11	V2372901	KIT 3 ID360 MTB SPRINGS
12	V3780101	HG9 Alloy MTB Freewheel Body ID360
12	V3740101	XD MTB Freewheel Body ID360
13	V2373001	KIT ADJUST. SYSTEM QRM AUTO ID360 for 17x30x7 bearing
15	V2252201	KIT 2 REAR HUB RETENTION RINGS 48mm
16	N/A	HUB BODY
17	V2372201	KIT ID360 148 D6T AXLE WITH CLIP

ADAPTERS

14	V2510701	ID360V2RrAxleAdapt12x142/148
	V2510801	ID360 V2 RrAxleAdapt9x135

MAVIC Deemax Pro 27,5

DELIVERED WITH

UST valve and accessories (129 838 01)	
Specific disc bolts (308 719 01)	
Multifunction adjustment wrench (325 423 01)	
User guide	

COMPATIBILITY

Freewheel: Shimano/Sram or XD	
Front axle: 20mm, convertible to 15mm thru axle with included adapters	
Rear axle: 12mm thru axle, convertible to Quick Release with optional adapters	
Freewheel: Shimano Micro Spline	

Specifications

RIMS

- **Material** : Mxstal
 - **Drilling** : Fore
 - **Weight reduction** : ISM 4D
 - **Valve hole diameter** : 6.5 mm
 - **Tyre** : UST Tubeless and tubetype
 - **Internal width** : 28 mm
- Hookless profile

SPOKES

- **Material** : Zicral
- **Shape** : straight pull, flat
- **Nipples** : Fore integrated aluminum
- **Count** : 24 front and rear
- **Lacing** : front crossed 2, rear Isopulse

WHEEL HUB

- **Front and rear bodies** : aluminum
- **Front bearings** : adjustable sealed cartridge bearings (QRM+), Rear bearings auto adjust sealed cartridge bearings (QRM Auto)
- **Freewheel** : Instant Drive 360

VERSIONS

- **Disc standard** : 6 Bolts only
- **Hub width** : Boost only (front 110, rear 148)
- **Freewheel** : Shimano/Sram or XD

WHEEL WEIGHTS

Weight Rear 27.5": 890
Weight Rear 29": 1005