

MAVIC Crossmax Pro 27,5

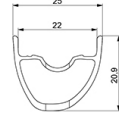
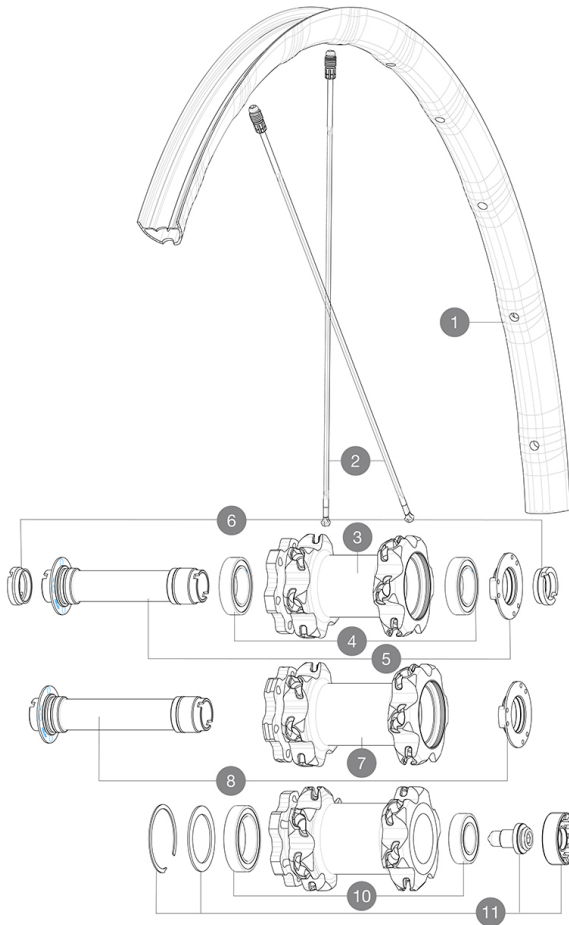
ASTM CATEGORY 3 : CROSS COUNTRY AND TRAIL RIDING

For a longer longevity of the wheel, Mavic recommends that the total weight supported by the wheels don't exceed 120kg, bike included

Recommended tyre sizes: 36 mm to 64 mm (1.4" to 2.5")

REFERENCES WHEELS

| | | | |
|--------|-----------------------------|--------|---------------------|
| F83041 | Xmax Pro 27,5 19 Ft Boost | F83031 | Xmax Pro 27,5 19 Ft |
| F83051 | Xmax Pro 27,5 19 Ft Lefty60 | | |



RIMS



&NBSP;:

| | | |
|---|----------|-------------------------------------|
| 1 | V2319310 | KIT FRONT RIM CROSSMAX PRO 19 27,5" |
|---|----------|-------------------------------------|

SPOKES

| | | |
|---|----------|--|
| 2 | V2384701 | KIT 12 FT/NDS CROSSMAX PRO 27,5" SPK 275mm |
| 2 | V2386401 | KIT 1 275mm 27,5" + 1 293mm 29" CROSSMAX PRO STAMPED BUTTE |

HUB SHELLS


| | | |
|----|----------|---|
| 3 | N/A | HUB BODY |
| 4 | 99688501 | BEARING KIT 9/12/15 D6T HUB 20x32x7 6804 |
| 5 | V2252301 | KIT MY16 FRONT AXLE ROAD DISC 9/12/15 INT |
| 7 | N/A | HUB BODY |
| 8 | V2370701 | KIT FRONT QRM+ AXLE BOOST INTL 110mm |
| 9 | N/A | HUB BODY |
| 10 | M40771 | BEARING KIT FOR LEFTY 50 & 60 HUB |
| 11 | 36709301 | ASSEMBLY KIT FOR LEFTY SUPERMAX WHEELS |

ADAPTERS

| | | |
|---|----------|----------------------|
| 6 | B4104401 | ADAPTER Ft 15mm QRM+ |
|---|----------|----------------------|

MAVIC Crossmax Pro 27,5

DELIVERED WITH

| | |
|---|---|
| Front QR adapters (non-boost wheel) | |
| Front QR adapters (non-boost wheel) | |
| Rear QR adapters (non-boost wheel) | |
| Rear QR adapters (non-boost wheel) | |
| UST valve and accessories (129 838 01) |  |
| UST valve and accessories (129 838 01) | |
| Specific disc bolts (308 719 01) | |
| Specific disc bolts (308 719 01) | |
| Multifunction adjustment wrench (325 423 01) | |
| Multifunction adjustment wrench (325 423 01) | |
| User guide | |
| User guide | |

COMPATIBILITY

| | |
|---|--|
| Freewheel: Shimano/Sram or XD | |
| Freewheel: Shimano/Sram or XD | |
| Front axle: convertible from 15mm thru axle to Quick Release with adapters (delivered with non-boost wheel) | |
| Front axle: convertible from 15mm thru axle to Quick Release with adapters (delivered with non-boost wheel) | |
| Rear axle: 12mm thru axle, convertible to Quick Release with adapters (delivered with non-boost wheel) | |
| Rear axle: 12mm thru axle, convertible to Quick Release with adapters (delivered with non-boost wheel) | |
| Freewheel: Shimano Micro Spline | |

Specifications

RIMS

- **Material** : Maxtal
- **Material** : Maxtal
- **Joint** : SUP
- **Joint** : SUP
- **Drilling** : Fore
- **Drilling** : Fore
- **Weight reduction** : ISM 4D
- **Weight reduction** : ISM 4D
- **Valve hole diameter** : 6.5 mm
- **Valve hole diameter** : 6.5 mm
- **Tyre** : UST Tubeless and tubetype
- **Tyre** : UST Tubeless and tubetype
- **Internal width** : 22 mm
- **Internal width** : 22 mm
- **ETRTO size 27.5"** : 584x22TSS
- **ETRTO size 27.5"** : 584x22TSS
- **ETRTO size 29"** : 622x22TSS
- **ETRTO size 29"** : 622x22TSS

Hookless profile
Hookless profile

SPOKES

- **Material** : Zicral
- **Material** : Zicral
- **Shape** : straight pull, bladed, double butted front

WHEEL HUB

- **Front and rear bodies** : aluminum
- **Front and rear bodies** : aluminum
- **Axle material** : aluminum
- **Axle material** : aluminum
- **Front bearings** : adjustable sealed cartridge bearings (QRM+), Rear bearings auto adjust sealed cartridge bearings (QRM Auto)
- **Front bearings** : adjustable sealed cartridge bearings (QRM+), Rear bearings auto adjust sealed cartridge bearings (QRM Auto)
- **Freewheel** : Instant Drive 360
- **Freewheel** : Instant Drive 360

VERSIONS

- **Disc standard** : 6 Bolts only
- **Disc standard** : 6 Bolts only
- **Hub width** : Boost (front 110, rear 148) or Non-Boost (front 100, rear 135/142)
- **Hub width** : Boost (front 110, rear 148) or Non-Boost (front 100, rear 135/142)
- Lefty 60 Supermax
- Lefty 60 Supermax
- **Freewheel** : Shimano/Sram or XD
- **Freewheel** : Shimano/Sram or XD
- Lefty 50 (29" only)

WHEEL WEIGHTS

Weight Front 27.5": 709
Weight Front 29": 735