

MAVIC **Crossmax Pro 27,5**

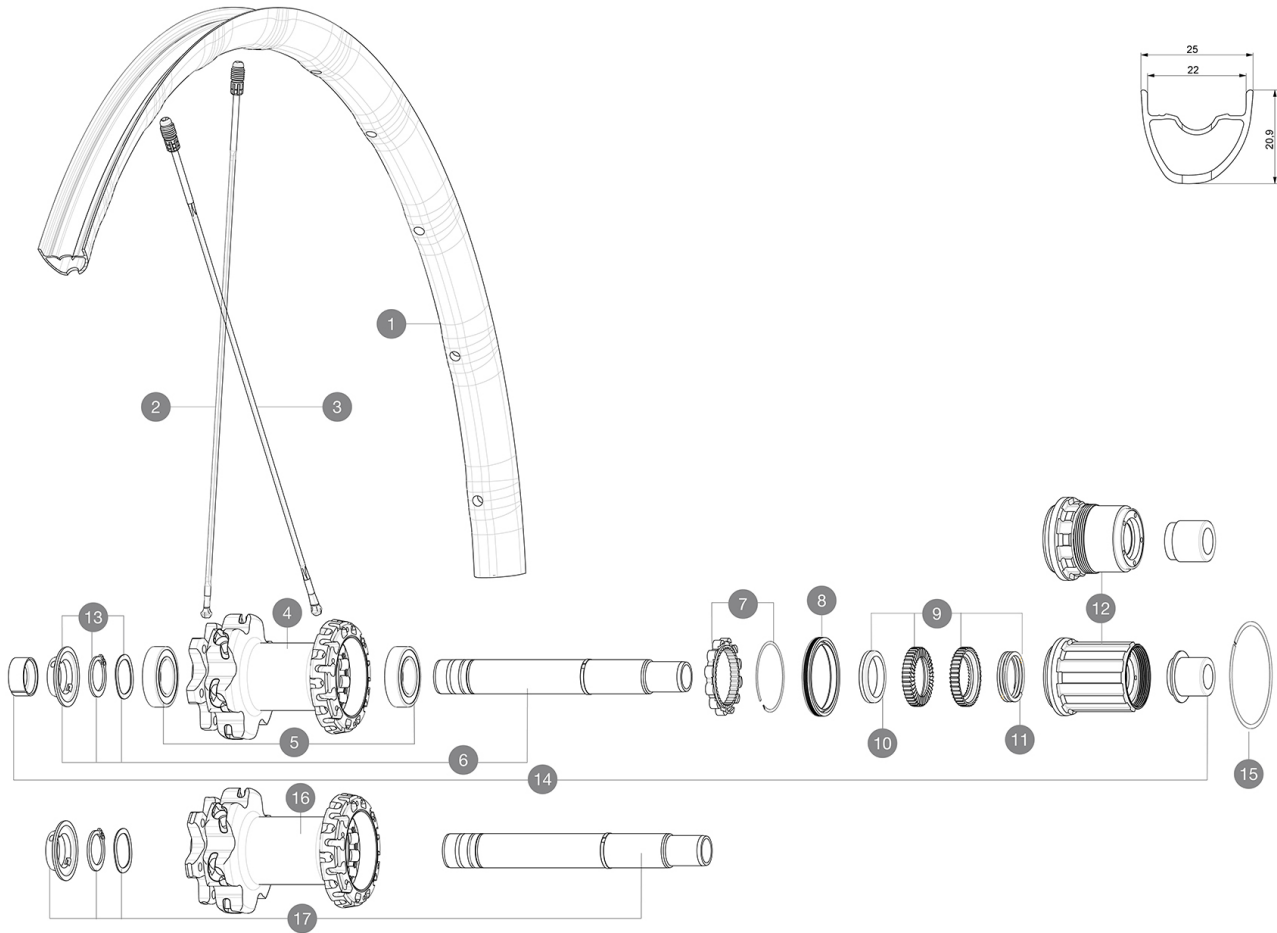
ASTM CATEGORY 3 : CROSS COUNTRY AND TRAIL RIDING

For a longer longevity of the wheel, Mavic recommends that the total weight supported by the wheels don't exceed 120kg, bike included

Recommended tyre sizes: 36 mm to 64 mm (1.4" to 2.5")

REFERENCES WHEELS

R26721	Xmax Pro 27,5 19 Rr XD	R26811	Xmax Pro 27,5 19 Rr Offset
R26731	Xmax Pro 27,5 19 Rr Boost	R26711	Xmax Pro 27,5 19 Rr
R26741	Xmax Pro 27,5 19 Rr Boost XD		

**RIMS**

&NBSP;:

1	V2319413	KIT REAR RIM CROSSMAX PRO 19 27,5"
1	V3765213	KIT REAR RIM CROSSMAX PRO 19 27,5" Offset

SPOKES

2	V2384701	KIT 12 FT/NDS CROSSMAX PRO 27,5" SPK 275mm
3	V2386601	KIT 12 DS CROSSMAX PRO/XA PRO/E-DEEMAX PRO 19 27,5" BUTTED

HUB SHELLS

4	N/A	HUB BODY
5	M40076	HUB BEARINGS 17x30x7 6903 x 2
6	V2372101	KIT ID360 135/142 D6T AXLE WITH CLIP
7	V2252701	KIT ID360 INSERT SHAPED EAR LOBE > 2017
8	V2251601	KIT ID360 SEAL + GREASE
9	V2375201	KIT ID360 24 TEETH 2 RATCHET + MTB SPRING + PAD (specific)
10	V2375401	KIT ID360 MTB 24T 3 NOISE REDUCING PADS
11	V2372901	KIT 3 ID360 MTB SPRINGS
12	V3780101	HG9 Alloy MTB Freewheel Body ID360
12	V3740101	XD MTB Freewheel Body ID360
13	V2373001	KIT ADJUST. SYSTEM QRM AUTO ID360 for 17x30x7 bearing
15	V2252201	KIT 2 REAR HUB RETENTION RINGS 48mm
16	N/A	HUB BODY
17	V2372201	KIT ID360 148 D6T AXLE WITH CLIP

OPTIONS



V2372801	KIT ID360 2x40 TEETH RATCHETS + MTB SPRING + GREASE + PAD
----------	---

ADAPTERS

14	V2510701	ID360V2RrAxleAdapt12x142/148
	V2510801	ID360 V2 RrAxleAdapt9x135

MAVIC Crossmax Pro 27,5

DELIVERED WITH

Front QR adapters (non-boost wheel)	
Front QR adapters (non-boost wheel)	
Rear QR adapters (non-boost wheel)	
Rear QR adapters (non-boost wheel)	
UST valve and accessories (129 838 01)	
UST valve and accessories (129 838 01)	
Specific disc bolts (308 719 01)	
Specific disc bolts (308 719 01)	
Multifunction adjustment wrench (325 423 01)	
Multifunction adjustment wrench (325 423 01)	
User guide	
User guide	

COMPATIBILITY

Freewheel: Shimano/Sram or XD	
Freewheel: Shimano/Sram or XD	
Front axle: convertible from 15mm thru axle to Quick Release with adapters (delivered with non-boost wheel)	
Front axle: convertible from 15mm thru axle to Quick Release with adapters (delivered with non-boost wheel)	
Rear axle: 12mm thru axle, convertible to Quick Release with adapters (delivered with non-boost wheel)	
Rear axle: 12mm thru axle, convertible to Quick Release with adapters (delivered with non-boost wheel)	
Freewheel: Shimano Micro Spline	

Specifications

RIMS

- **Material** : Maxtal
- **Material** : Maxtal
- **Joint** : SUP
- **Joint** : SUP
- **Drilling** : Fore
- **Drilling** : Fore
- **Weight reduction** : ISM 4D
- **Weight reduction** : ISM 4D
- **Valve hole diameter** : 6.5 mm
- **Valve hole diameter** : 6.5 mm
- **Tyre** : UST Tubeless and tubetype
- **Tyre** : UST Tubeless and tubetype
- **Internal width** : 22 mm
- **Internal width** : 22 mm
- **ETRTO size 27.5"** : 584x22TSS
- **ETRTO size 27.5"** : 584x22TSS
- **ETRTO size 29"** : 622x22TSS
- **ETRTO size 29"** : 622x22TSS

Hookless profile
Hookless profile

SPOKES

- **Material** : Zicral
- **Material** : Zicral
- **Shape** : straight pull, bladed, double butted front

WHEEL HUB

- **Front and rear bodies** : aluminum
- **Front and rear bodies** : aluminum
- **Axle material** : aluminum
- **Axle material** : aluminum
- **Front bearings** : adjustable sealed cartridge bearings (QRM+), Rear bearings auto adjust sealed cartridge bearings (QRM Auto)
- **Front bearings** : adjustable sealed cartridge bearings (QRM+), Rear bearings auto adjust sealed cartridge bearings (QRM Auto)
- **Freewheel** : Instant Drive 360
- **Freewheel** : Instant Drive 360

VERSIONS

- **Disc standard** : 6 Bolts only
- **Disc standard** : 6 Bolts only
- **Hub width** : Boost (front 110, rear 148) or Non-Boost (front 100, rear 135/142)
- **Hub width** : Boost (front 110, rear 148) or Non-Boost (front 100, rear 135/142)
- Lefty 60 Supermax
- Lefty 60 Supermax
- Lefty 50 (29" only)
- Lefty 50 (29" only)
- **Freewheel** : Shimano/Sram or XD

WHEEL WEIGHTS

Weight Rear 27.5": 816
Weight Rear 29": 845