

MAVIC **Crossmax Pro 29 19**

ASTM CATEGORY 3 : CROSS COUNTRY AND TRAIL RIDING

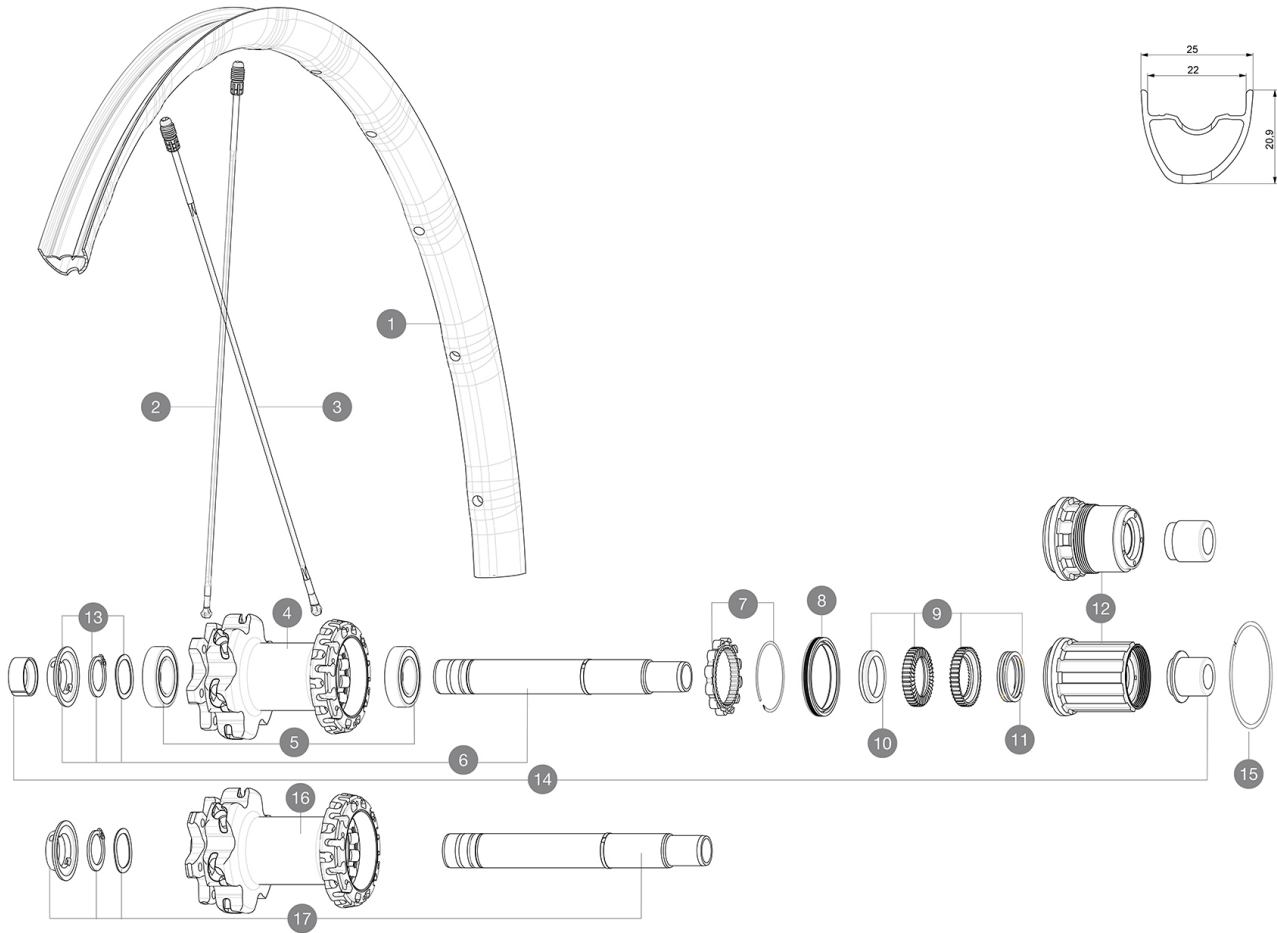
For a longer longevity of the wheel, Mavic recommends that the total weight supported by the wheels don't exceed 120kg, bike included

Recommended tyre sizes: 36 mm to 64 mm (1.4" to 2.5")

Recommended tyre sizes: 46mm to 64mm (1.8" to 2.5")

REFERENCES WHEELS

R26591	Xmax Pro 29 19 Rr	R26631	Xmax Pro 29 19 Rr Boost XD
R26611	Crossmax Pro 29 19 Rr XD Black	R26641	Xmax Pro 29 19 Rr Offset
R26621	Crossmax Pro 29 19 Rr Bst Bk		

**RIMS**

&NBSP;:

1	V2319613	KIT REAR RIM CROSSMAX PRO 19 29"
1	V3765313	KIT REAR RIM CROSSMAX PRO 19 29" Offset

SPOKES

2	V2386401	KIT 1 275mm 27,5" + 1 293mm 29" CROSSMAX PRO STAMPED BUTTE
2	V2384801	KIT 12 FT/NDS CROSSMAX PRO 29" AL SPK 293mm
3	V2386501	KIT 12 DS CROSSMAX PRO/XA PRO/DEEMAX PRO 19 29" ALU SPOKE 2

HUB SHELLS

4	N/A	HUB BODY
5	M40076	HUB BEARINGS 17x30x7 6903 x 2
6	V2372101	KIT ID360 135/142 D6T AXLE WITH CLIP
7	V2252701	KIT ID360 INSERT SHAPED EAR LOBE > 2017
8	V2251601	KIT ID360 SEAL + GREASE
9	V2375201	KIT ID360 24 TEETH 2 RATCHET + MTB SPRING + PAD (specific)
10	V2375401	KIT ID360 MTB 24T 3 NOISE REDUCING PADS
11	V2372901	KIT 3 ID360 MTB SPRINGS
12	V3780101	HG9 Alloy MTB Freewheel Body ID360
12	V3740101	XD MTB Freewheel Body ID360
13	V2373001	KIT ADJUST. SYSTEM QRM AUTO ID360 for 17x30x7 bearing
15	V2252201	KIT 2 REAR HUB RETENTION RINGS 48mm
16	N/A	HUB BODY

17 V2372201 KIT ID360 148 D6T AXLE WITH CLIP



OPTIONS

V2372801 KIT ID360 2x40 TEETH RATCHETS + MTB SPRING + GREASE + PAD

ADAPTERS14 V2510701 ID360V2RrAxleAdapt12x142/148
V2510801 ID360 V2 RrAxleAdapt9x135

MAVIC Crossmax Pro 29 19

DELIVERED WITH

Front QR adapters (non-boost wheel)	
Rear QR adapters (non-boost wheel)	
UST valve and accessories (129 838 01)	
UST valve and accessories (129 838 01)	
Specific disc bolts (308 719 01)	
Specific disc bolts (308 719 01)	
Multifunction adjustment wrench (325 423 01)	
Multifunction adjustment wrench (325 423 01)	
User guide	
User guide	

COMPATIBILITY

Freewheel: Shimano/Sram or XD	
Freewheel: Shimano/Sram or XD	
Front axle: convertible from 15mm thru axle to Quick Release with adapters (delivered with non-boost wheel)	
Rear axle: 12mm thru axle, convertible to Quick Release with optional adapters	
Rear axle: 12mm thru axle, convertible to Quick Release with adapters (delivered with non-boost wheel)	
Freewheel: Shimano Micro Spline	
Freewheel: Shimano Micro Spline	

Specifications

RIMS

- **Material** : Mxstal
- **Material** : Mxstal
- **Joint** : SUP
- **Drilling** : Fore
- **Drilling** : Fore
- **Weight reduction** : ISM 4D
- **Weight reduction** : ISM 4D
- **Valve hole diameter** : 6.5 mm
- **Valve hole diameter** : 6.5 mm
- **Tyre** : UST Tubeless and tubetype
- **Tyre** : UST Tubeless and tubetype
- **Internal width** : 22 mm
- **Internal width** : 22 mm
- **ETRTO size 27.5"** : 584x22TSS
- **ETRTO size 29"** : 622x22TSS
- **ETRTO size 29"** : 622x22TSS

Hookless profile

Hookless profile

SPOKES

- **Material** : Zicral
- **Material** : Zicral
- **Shape** : straight pull, flat
- **Shape** : straight pull, bladed, double butted front and rear non drive side
- **Nipples** : Fore integrated aluminum
- **Nipples** : Fore integrated aluminum
- **Count** : 24 front and rear
- **Count** : 24 front and rear
- **Lacing** : front crossed 2, rear Isopulse
- **Lacing** : front crossed 2, rear Isopulse

WHEEL HUB

- **Front and rear bodies** : aluminum
- **Front and rear bodies** : aluminum
- **Axle material** : aluminum
- **Front bearings** : adjustable sealed cartridge bearings (QRM+), Rear bearings auto adjust sealed cartridge bearings (QRM Auto)
- **Front bearings** : adjustable sealed cartridge bearings (QRM+), Rear bearings auto adjust sealed cartridge bearings (QRM Auto)
- **Freewheel** : Instant Drive 360
- **Freewheel** : Instant Drive 360

VERSIONS

- **Color** : Black only
- **Disc standard** : 6 Bolts only
- **Disc standard** : 6 Bolts only
- **Hub width** : Boost (front 110, rear 148) or Non-Boost (front 100, rear 135/142)
- **Hub width** : Boost (front 110, rear 148) or Non-Boost (front 100, rear 135/142)
- Lefty 60 Supermax
- Lefty 60 Supermax
- **Freewheel** : Shimano/Sram or XD
- **Freewheel** : Shimano/Sram or XD
- Lefty 50 (29" only)
- Ai Offset (rear)
- Ai Offset (rear)

WHEEL WEIGHTS

845