

**MAVIC** **Crossmax Pro 29 19**

ASTM CATEGORY 3 : CROSS COUNTRY AND TRAIL RIDING

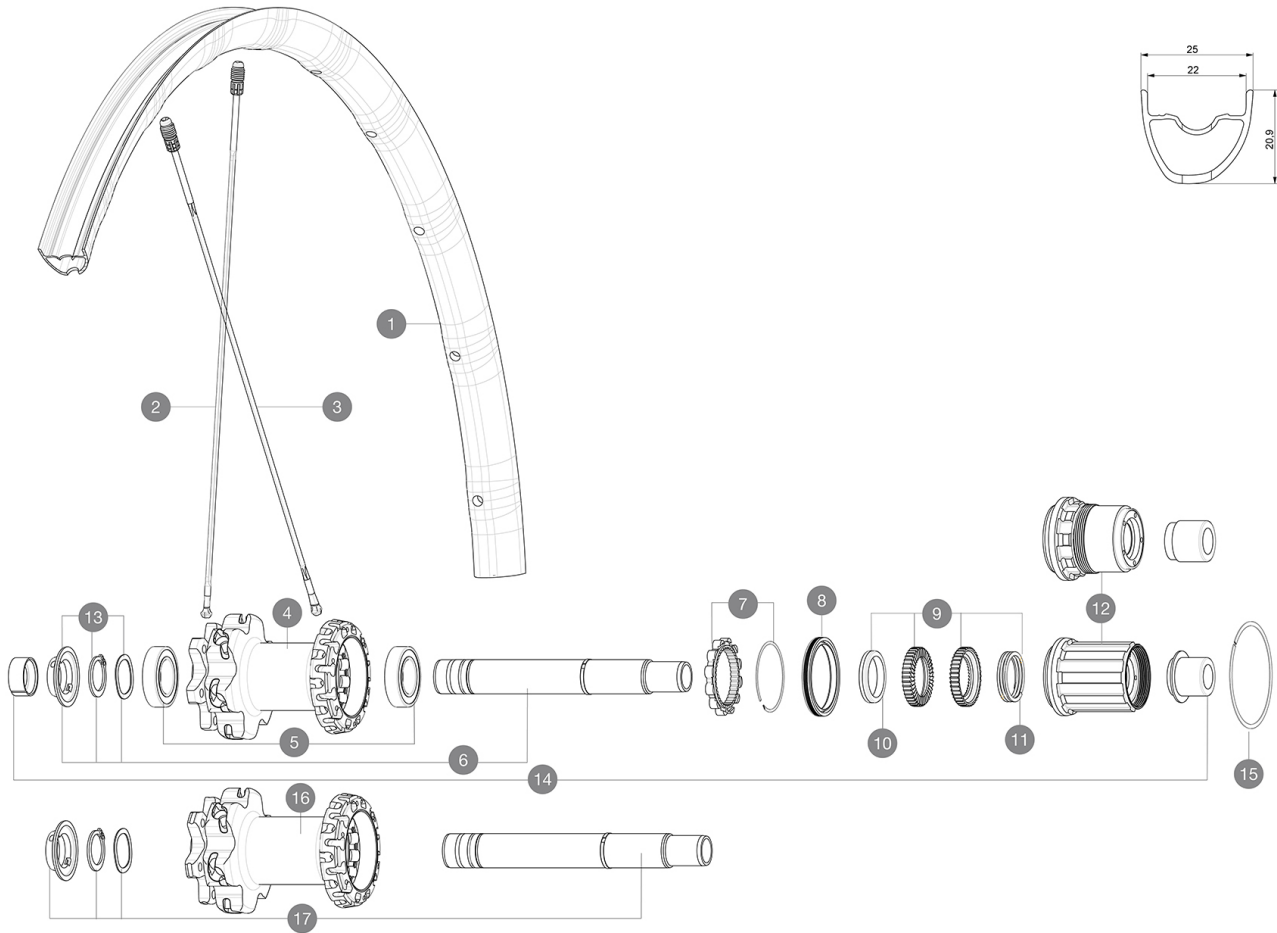
For a longer longevity of the wheel, Mavic recommends that the total weight supported by the wheels don't exceed 120kg, bike included

Recommended tyre sizes: 36 mm to 64 mm (1.4" to 2.5")

Recommended tyre sizes: 46mm to 64mm (1.8" to 2.5")

**REFERENCES WHEELS**

|        |                                |        |                            |
|--------|--------------------------------|--------|----------------------------|
| R26591 | Xmax Pro 29 19 Rr              | R26631 | Xmax Pro 29 19 Rr Boost XD |
| R26611 | Crossmax Pro 29 19 Rr XD Black | R26641 | Xmax Pro 29 19 Rr Offset   |
| R26621 | Crossmax Pro 29 19 Rr Bst Bk   |        |                            |

**RIMS**

&amp;NBSP;:

|   |          |   |
|---|----------|---|
| 1 | V2319613 | KIT REAR RIM CROSSMAX PRO 19 29"        |
| 1 | V3765313 | KIT REAR RIM CROSSMAX PRO 19 29" Offset |

**SPOKES**

|   |          |   |
|---|----------|---|
| 2 | V2386401 | KIT 1 275mm 27,5" + 1 293mm 29" CROSSMAX PRO STAMPED BUTTE  |
| 2 | V2384801 | KIT 12 FT/NDS CROSSMAX PRO 29" AL SPK 293mm                 |
| 3 | V2386501 | KIT 12 DS CROSSMAX PRO/XA PRO/DEEMAX PRO 19 29" ALU SPOKE 2 |

**HUB SHELLS**

|    |          |  |
|----|----------|--|
| 4  | N/A      | HUB BODY   |
| 5  | M40076   | HUB BEARINGS 17x30x7 6903 x 2                              |
| 6  | V2372101 | KIT ID360 135/142 D6T AXLE WITH CLIP                       |
| 7  | V2252701 | KIT ID360 INSERT SHAPED EAR LOBE > 2017                    |
| 8  | V2251601 | KIT ID360 SEAL + GREASE                                    |
| 9  | V2375201 | KIT ID360 24 TEETH 2 RATCHET + MTB SPRING + PAD (specific) |
| 10 | V2375401 | KIT ID360 MTB 24T 3 NOISE REDUCING PADS                    |
| 11 | V2372901 | KIT 3 ID360 MTB SPRINGS                                    |
| 12 | V3740101 | XD MTB Freewheel Body ID360                                |
| 12 | V3780101 | HG9 Alloy MTB Freewheel Body ID360                         |
| 13 | V2373001 | KIT ADJUST. SYSTEM QRM AUTO ID360 for 17x30x7 bearing      |
| 15 | V2252201 | KIT 2 REAR HUB RETENTION RINGS 48mm                        |
| 16 | N/A      | HUB BODY   |

17 V2372201 KIT ID360 148 D6T AXLE WITH CLIP



**OPTIONS**

V2372801 KIT ID360 2x40 TEETH RATCHETS + MTB SPRING + GREASE + PAD

**ADAPTERS**14 V2510701 ID360V2RrAxleAdapt12x142/148  
V2510801 ID360 V2 RrAxleAdapt9x135

# MAVIC Crossmax Pro 29 19

## DELIVERED WITH

|   |   |
|---|---|
| Front QR adapters (non-boost wheel)             |   |
| Rear QR adapters (non-boost wheel)              |   |
| UST valve and accessories<br>(129 838 01)       |  |
| UST valve and accessories<br>(129 838 01)       |  |
| Specific disc bolts<br>(308 719 01)             |   |
| Specific disc bolts<br>(308 719 01)             |   |
| Multifunction adjustment wrench<br>(325 423 01) |   |
| Multifunction adjustment wrench<br>(325 423 01) |   |
| User guide                                      |   |
| User guide                                      |   |

## COMPATIBILITY

|   |  |
|---|--|
| Freewheel: Shimano/Sram or XD   |  |
| Freewheel: Shimano/Sram or XD   |  |
| Front axle: convertible from 15mm thru axle to Quick Release with adapters (delivered with non-boost wheel) |  |
| Rear axle: 12mm thru axle, convertible to Quick Release with optional adapters                              |  |
| Rear axle: 12mm thru axle, convertible to Quick Release with adapters (delivered with non-boost wheel)      |  |
| Freewheel: Shimano Micro Spline   |  |
| Freewheel: Shimano Micro Spline   |  |

## Specifications

### RIMS

- **Material** : Mxstal
- **Material** : Mxstal
- **Joint** : SUP
- **Drilling** : Fore
- **Drilling** : Fore
- **Weight reduction** : ISM 4D
- **Weight reduction** : ISM 4D
- **Valve hole diameter** : 6.5 mm
- **Valve hole diameter** : 6.5 mm
- **Tyre** : UST Tubeless and tubetype
- **Tyre** : UST Tubeless and tubetype
- **Internal width** : 22 mm
- **Internal width** : 22 mm
- **ETRTO size 27.5"** : 584x22TSS
- **ETRTO size 29"** : 622x22TSS
- **ETRTO size 29"** : 622x22TSS

Hookless profile

Hookless profile

### SPOKES

- **Material** : Zicral
- **Material** : Zicral
- **Shape** : straight pull, flat
- **Shape** : straight pull, bladed, double butted front and rear non drive side
- **Nipples** : Fore integrated aluminum
- **Nipples** : Fore integrated aluminum
- **Count** : 24 front and rear
- **Count** : 24 front and rear
- **Lacing** : front crossed 2, rear Isopulse
- **Lacing** : front crossed 2, rear Isopulse

### WHEEL HUB

- **Front and rear bodies** : aluminum
- **Front and rear bodies** : aluminum
- **Axle material** : aluminum
- **Front bearings** : adjustable sealed cartridge bearings (QRM+), Rear bearings auto adjust sealed cartridge bearings (QRM Auto)
- **Front bearings** : adjustable sealed cartridge bearings (QRM+), Rear bearings auto adjust sealed cartridge bearings (QRM Auto)
- **Freewheel** : Instant Drive 360
- **Freewheel** : Instant Drive 360

### VERSIONS

- **Color** : Black only
- **Disc standard** : 6 Bolts only
- **Disc standard** : 6 Bolts only
- **Hub width** : Boost (front 110, rear 148) or Non-Boost (front 100, rear 135/142)
- **Hub width** : Boost (front 110, rear 148) or Non-Boost (front 100, rear 135/142)
- Lefty 60 Supermax
- Lefty 60 Supermax
- **Freewheel** : Shimano/Sram or XD
- **Freewheel** : Shimano/Sram or XD
- Lefty 50 (29" only)
- Ai Offset (rear)
- Ai Offset (rear)

### WHEEL WEIGHTS

845