

MAVIC Allroad Pro Carbon SL R+ 650B

ASTM CATEGORY 2 : road and offroad with jumps less than 15cm

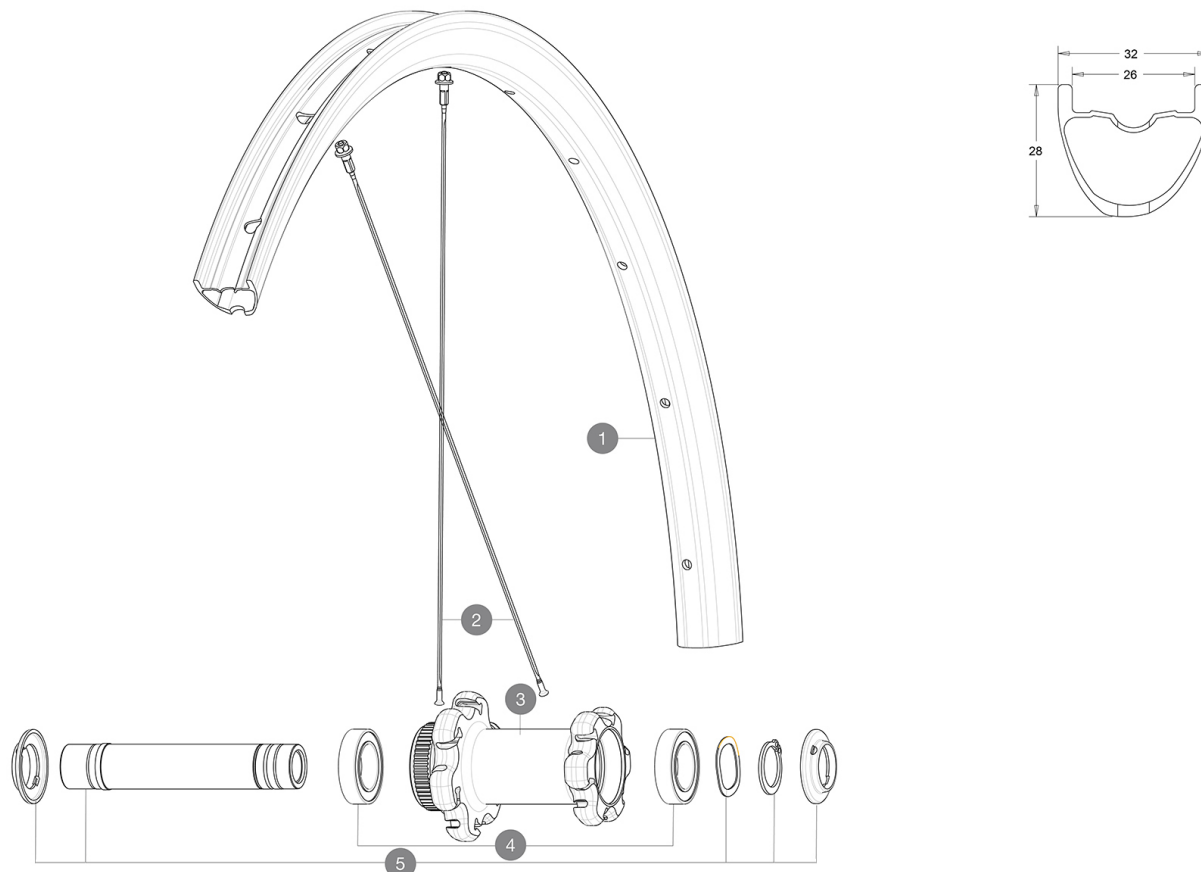
For a longer longevity of the wheel, Mavic recommends that the total weight supported by the wheels don't exceed 120kg, bike included

Recommended tyre sizes: 28 to 64 mm (1.1" to 2.5")

Max. Pressure: see indication on wheel and tyre. If they differ, use the lower of the 2

REFERENCES WHEELS

F87891 AllroadProCarbSL R+ DCL Ft

**RIMS**

&NBSP;:

1	V2739010 V2700101	KIT FRONT RIM ALLROAD PRO CARBON ROAD + UST Tape 28mm for 25 to 27mm wide rims
---	----------------------	-----------------------------------------------------------------------------------

SPOKES

2	V3668101	KIT 2 FRT/NDS ALLROAD PRO CARBON ROAD + STP SPOKE 269 + alu
2	V2387701	KIT 12 FRT/REAR XA PRO CARBON 27,5" EXTRA FLAT SPOKE 269mm

HUB SHELLS

3	N/A	HUB BODY
4	V2500901	KIT BEARINGS 18x30x7 + WAVED WASHER + CLIP
5	V2374101	KIT QRM AUTO FRONT L3 AXLE 100x12mm DCL - while stock last
5	V2374001	KIT 12x100mm FRONT AXLE DCL QRM AUTO ALLROAD > 2019

OPTIONS



V2373501 QRM Auto front axle 15mm for DCL Allroad wheels > 2019

ADAPTERS

V2680301 "Kit Ft Road Adapter 12 >> 9mm"

MAVIC Allroad Pro Carbon SL R+ 650B

DELIVERED WITH

Mavic tyre sealant (rear wheel) (355 466 01)	
Mavic tyre sealant (rear wheel) (355 466 01)	
Tyre sealant syringe	
Tyre sealant syringe	
Front QR adapters (996 941 01 for MTB or B41 043 01 for road)	
Front QR adapters (996 941 01 for MTB or B41 043 01 for road)	
Rear QR adapters for Instant Drive 360 (B49 894 01)	
Rear QR adapters for Instant Drive 360 (B49 894 01)	
UST valve and accessories (129 838 01)	
UST valve and accessories (129 838 01)	
User guide	
User guide	

COMPATIBILITY

Freewheel: Shimano/Sram, convertible to Campagnolo and XD-R with optional driver bodies	
Freewheel: Shimano/Sram, convertible to Campagnolo and XD-R with optional driver bodies	
Front axle: 12mm thru axle, easily convertible to quick release with included adapters. Convertible to 15mm with complete axle replacement	
Front axle: 12mm thru axle, easily convertible to quick release with included adapters. Convertible to 15mm with complete axle replacement	
Rear axle: 12mm thru axle, convertible to Quick Release with included adapters	
Rear axle: 12mm thru axle, convertible to Quick Release with included adapters	

Specifications

RIMS

- **Material** : 100% Unidirectional carbon fiber
- **Material** : 100% Unidirectional carbon fiber
- **Height** : 28mm
- **Height** : 28mm
- **Drilling** : traditional
- **Drilling** : traditional

Disc brake specific profile

Disc brake specific profile

- **Valve hole diameter** : 6.5 mm
- **Valve hole diameter** : 6.5 mm
- **Tyre** : UST Tubeless and tubetype
- **Tyre** : UST Tubeless and tubetype
- **Internal width** : 26 mm
- **Internal width** : 26 mm
- **ETRTO size** : 584x26TSS Road
- **ETRTO size** : 584x26TSS Road

Hookless profile

Hookless profile

Use with Mavic Tubeless Tape

Use with Mavic Tubeless Tape

UST

SPOKES

Download date: 2023-12-02 / Update date: 2023-09-13

- **Material** : steel
- **Material** : steel

WHEEL HUB

- **Front and rear bodies** : aluminum
 - **Front and rear bodies** : aluminum
 - **Axle material** : aluminum
 - **Axle material** : aluminum
- Auto adjust sealed cartridge bearings (QRM Auto), front and rear
- **Freewheel** : Instant Drive 360
 - **Front** : Quick release, 12x100 and 15x100 through axle compatible
 - **Front** : Quick release, 12x100 and 15x100 through axle compatible
 - **Rear** : Quick Release, 12x142 and 12x135 compatible
 - **Rear** : Quick Release, 12x142 and 12x135 compatible
- Instant Drive 360
QRM Auto

VERSIONS

- **Color** : Black only
- **Color** : Black only
- **Disc standard** : Center Lock(R) only
- **Disc standard** : Center Lock(R) only

WHEEL WEIGHTS

725