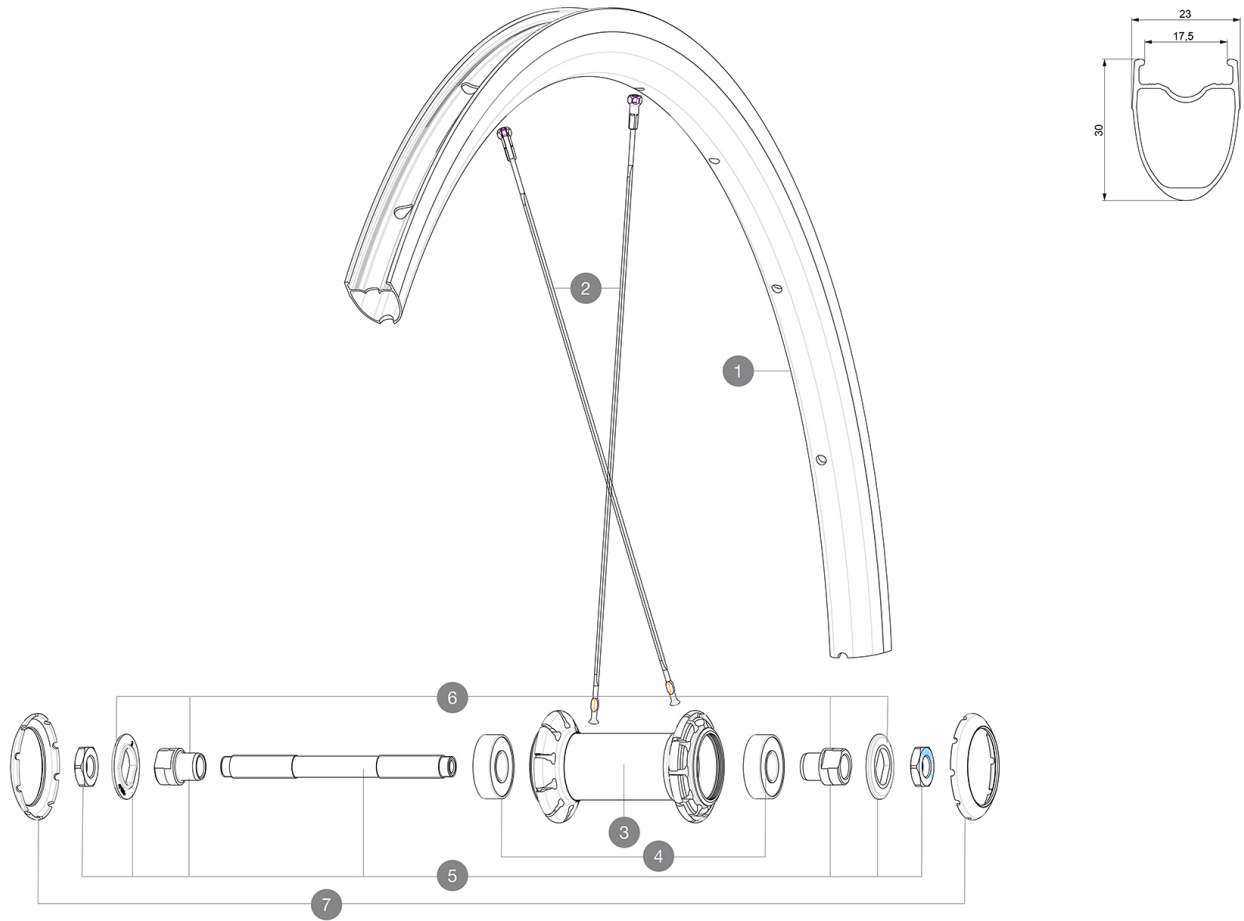


ASTM CATEGORY 2 : road and offroad with jumps less than 15cm  
 For a longer longevity of the wheel, Mavic recommends that the total weight supported by the wheels don't exceed 120kg, bike included  
 Recommended tyre sizes: 25 to 32 mm  
 Max. Pressure: see indication on wheel and tyre. If they differ, use the lower of the 2

## REFERENCES WHEELS

F87801 Cosmic Elite UST 20 Ft



## RIMS



&NBSP::

1	V2732615 V2900101	KIT FRONT/REAR RIM COSMIC ELITE UST 23mm UST Tape For 17 to 18 Wide Road Rims
---	----------------------	--

## SPOKES


2	V2739215	Kit 10 Frt/Rear non drive side Cosmic Elite UST 20 butted sp
---	----------	--

## HUB SHELLS

3	N/A	HUB BODY
4	M40318	KIT 2 HUB BEARINGS 6001
5	99603801	SHORT EXPENSIBLE BEARING SUPPORTS > 2008
6	99603701	FRONT AXLE QRM ROAD 2008
7	12034401	KIT 3 HUB CAPS AERO 10 SLOTS BLACK

# MAVIC Cosmic Elite UST

## DELIVERED WITH

Mavic tyre sealant (rear wheel) (355 466 01)	
Tyre sealant syringe	
BR101 quick releases (M40350 frt, M40351 rear road, M40352 rear MTB)	
UST valve and accessories (129 838 01)	
Tubeless rim tape	
User guide	

## COMPATIBILITY

Freewheel: Shimano/Sram, convertible to Campagnolo with optional driver body	
Front axle: Quick Release only	
Rear axle: Quick Release only	

## Specifications

### RIMS

- **Material** : S6000 Aluminum
  - **Height** : 30 mm
  - **Joint** : SUP
  - **Drilling** : traditional
  - **Brake track** : UB Control
  - **Valve hole diameter** : 6.5 mm
  - **Tyre** : UST Tubeless and tubetype
  - **Internal width** : 17 mm
  - **ETRTO size** : 622x17TC ROAD
- Use with Mavic Tubeless Tape

### SPOKES

- **Material** : steel
- **Shape** : straight pull, flat
- **Nipples** : steel, ABS
- **Count** : 20 front and rear
- **Lacing** : radial front and rear non-drive side, crossed 2 rear drive side

### WHEEL HUB

- **Front and rear bodies** : aluminum
  - **Axle material** : steel
- Sealed cartridge bearings (QRM)
- **Freewheel** : FTS-L steel

### VERSIONS

- **Color** : Black only

### WHEEL WEIGHTS

815