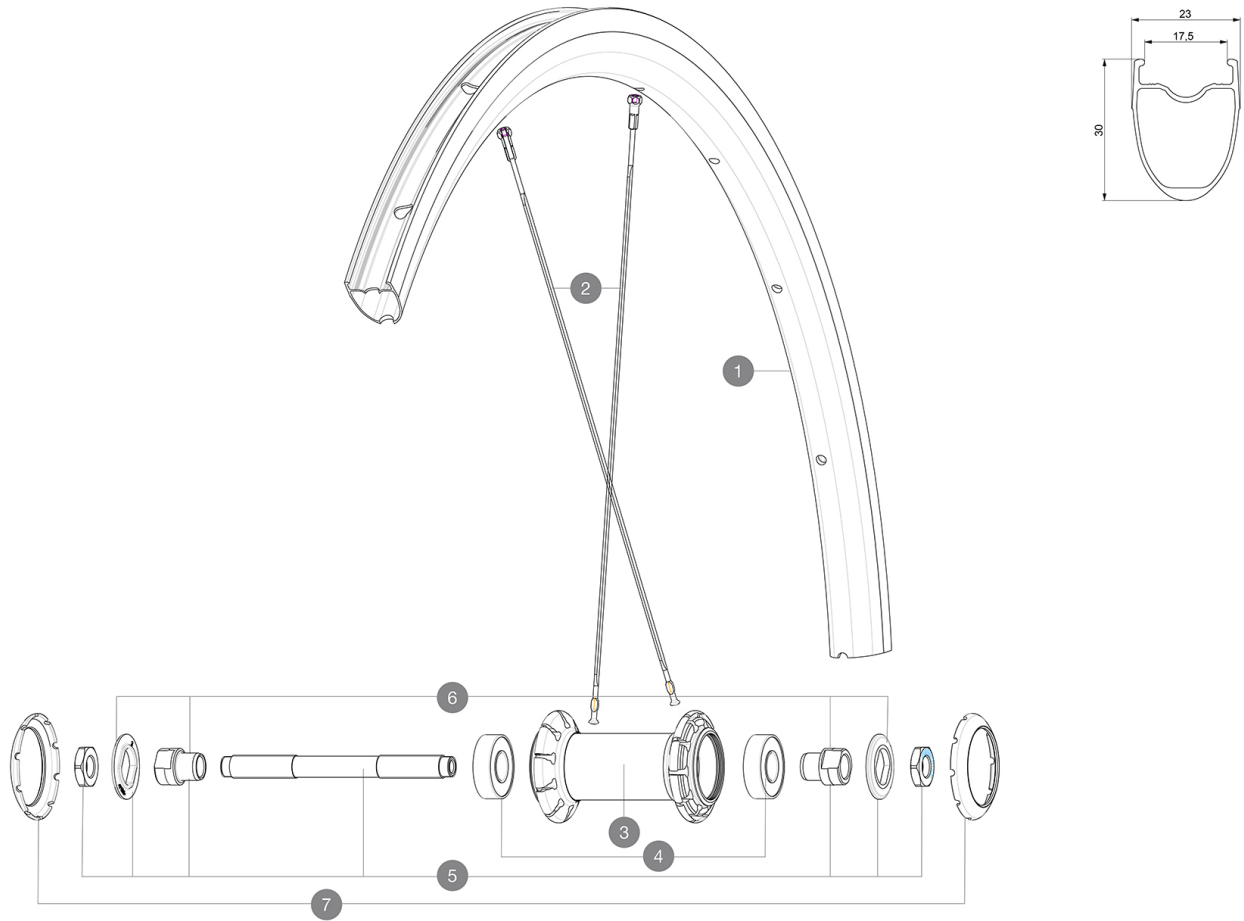


ASTM CATEGORY 2 : road and offroad with jumps less than 15cm  
 For a longer longevity of the wheel, Mavic recommends that the total weight supported by the wheels don't exceed 120kg, bike included  
 Recommended tyre sizes: 25 to 32 mm  
 Max. Pressure: see indication on wheel and tyre. If they differ, use the lower of the 2

## REFERENCES WHEELS

F87801 Cosmic Elite UST 20 Ft



## RIMS



&NBSP;:

|   |                      |  |
|---|----------------------|--|
| 1 | V2732615<br>V2900101 | KIT FRONT/REAR RIM COSMIC ELITE UST<br>23mm UST Tape For 17 to 18 Wide Road Rims |
|---|----------------------|--|

## SPOKES

|   |          |  |
|---|----------|--|
| 2 | V2739215 | Kit 10 Frt/Rear non drive side Cosmic Elite UST 20 butted sp |
|---|----------|--|


## HUB SHELLS

|   |          |  |
|---|----------|--|
| 3 | N/A      | HUB BODY                                 |
| 4 | M40318   | KIT 2 HUB BEARINGS 6001                  |
| 5 | 99603801 | SHORT EXPENSIBLE BEARING SUPPORTS > 2008 |
| 6 | 99603701 | FRONT AXLE QRM ROAD 2008                 |
| 7 | 12034401 | KIT 3 HUB CAPS AERO 10 SLOTS BLACK       |

# MAVIC Cosmic Elite UST

2020  
FRONT

## DELIVERED WITH

|   |   |
|---|---|
| Mavic tyre sealant (rear wheel)<br>(355 466 01)                         |   |
| Tyre sealant syringe  |   |
| BR101 quick releases<br>(M40350 frt, M40351 rear road, M40352 rear MTB) |   |
| UST valve and accessories<br>(129 838 01)                               |  |
| Tubeless rim tape   |   |
| User guide  |   |

## COMPATIBILITY

|  |  |
|--|--|
| Freewheel: Shimano/Sram, convertible to Campagnolo with optional driver body |  |
| Front axle: Quick Release only   |  |
| Rear axle: Quick Release only  |  |

## Specifications

### RIMS

- **Material** : S6000 Aluminum
  - **Height** : 30 mm
  - **Joint** : SUP
  - **Drilling** : traditional
  - **Brake track** : UB Control
  - **Valve hole diameter** : 6.5 mm
  - **Tyre** : UST Tubeless and tubetype
  - **Internal width** : 17 mm
  - **ETRTO size** : 622x17TC ROAD
- Use with Mavic Tubeless Tape

### SPOKES

- **Material** : steel
- **Shape** : straight pull, flat
- **Nipples** : steel, ABS
- **Count** : 20 front and rear
- **Lacing** : radial front and rear non-drive side, crossed 2 rear drive side

### WHEEL HUB

- **Front and rear bodies** : aluminum
  - **Axle material** : steel
- Sealed cartridge bearings (QRM)
- **Freewheel** : FTS-L steel

### VERSIONS

- **Color** : Black only

### WHEEL WEIGHTS

815