

MAVIC Comete Pro Carbon UST Disc

ASTM CATEGORY 1 : road only

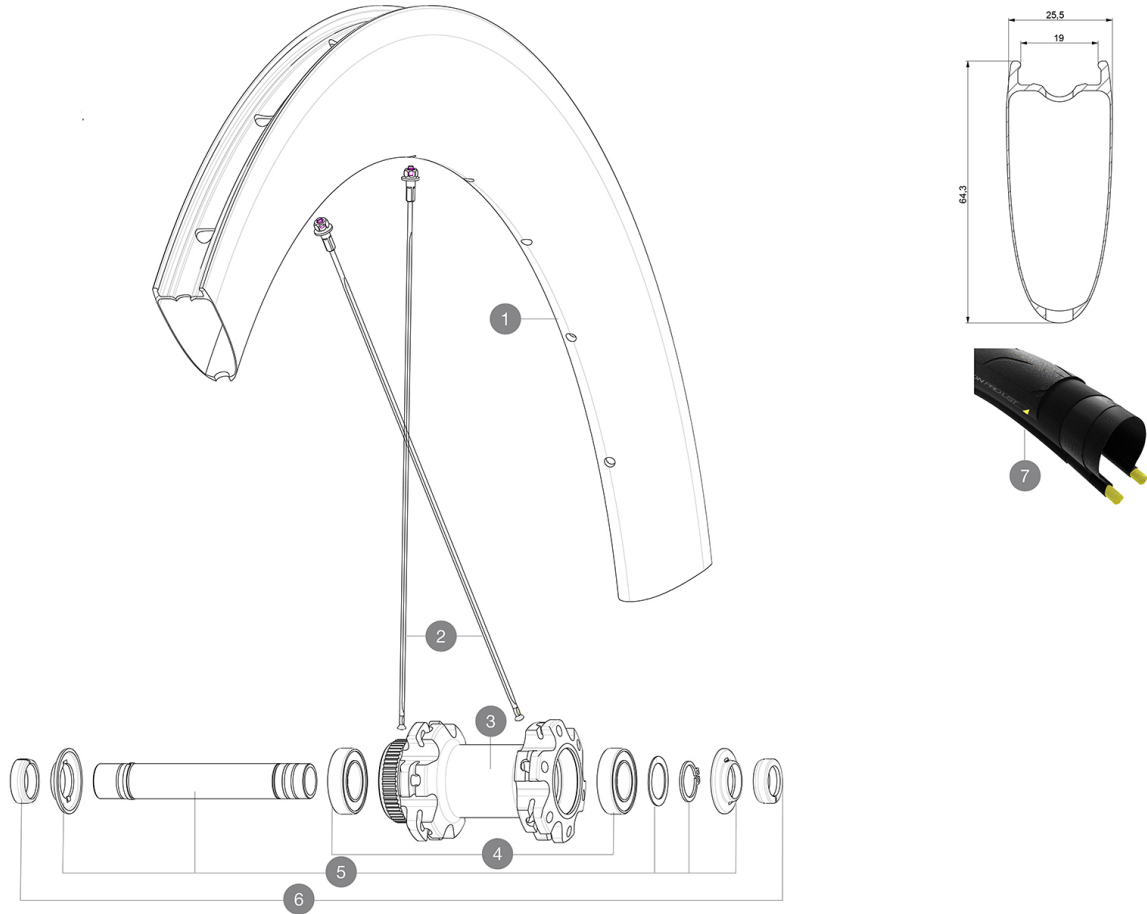
For a longer longevity of the wheel, Mavic recommends that the total weight supported by the wheels don't exceed 120kg, bike included

Recommended tyre sizes: 25 to 32 mm

Max. Pressure: see indication on wheel and tyre. If they differ, use the lower of the 2

REFERENCES WHEELS

F87701 Com Pro Carb UST DCL Ft



RIMS



&NBSP;:

| | | |
|---|----------|--|
| 1 | V4093115 | Kit Front/Rear rim Cosmic SL 65 Disc while stock lasts |
| 1 | V2738110 | KIT FRONT RIM COMETE PRO CARBON SL UST Disc 19 - while stock |
| | V2620101 | UST RIM TAPE 25mm (for 21-24mm wide rim) |

SPOKES

| | | |
|---|----------|--|
| 2 | V4161701 | Kit 12 front/rear NDS butted Stainless spoke 256mm Com Pro C |
| 2 | V3668901 | Kit 12 front/rear NDS butted spoke 256mm Com Pro Carbon Disc |
| 2 | V4161801 | Kit 2 front/rear 256mm stamped butted stainless spoke Comete |
| 2 | V3669001 | Kit 2 front/rear 256mm stamped butted spoke Comete Pro Carbo |


HUB SHELLS

| | | |
|---|----------|-------------------------------------|
| 3 | N/A | HUB BODY |
| 4 | M40129 | KIT 2 BEARINGS 6902 15x28x7 |
| 5 | V2373301 | KIT QRM AUTO FRONT AXLE 12mm > 2019 |

ADAPTERS

| | | |
|---|----------|---------------------------------|
| 6 | V2680501 | 12mm Road Axle Cap QRM Auto |
| | V2680301 | "Kit Ft Road Adapter 12 >> 9mm" |

DELIVERED WITH

| | |
|--|---|
| Mavic tyre sealant (rear wheel) (355 466 01) | |
| Tyre sealant syringe | |
| Front QR adapters (996 941 01 for MTB or B41 043 01 for road) | |
| Rear QR adapters for Instant Drive 360 (B49 894 01) | |
| UST valve and accessories (129 838 01) |  |
| Tubeless rim tape | |
| User guide | |

COMPATIBILITY

| | |
|---|--|
| Freewheel: Shimano/Sram, convertible to Campagnolo and XD-R with optional driver bodies | |
| Front axle: 12x100 thru axle, easily convertible to quick release with included adapters. Not compatible with 15mm through axles. | |
| Rear axle: 12mm thru axle, convertible to Quick Release with included adapters | |

Specifications**RIMS**

- **Material** : 3K carbon fibers
 - **Height** : 64mm
 - **Drilling** : traditional
- Disc brake specific profile
- **Valve hole diameter** : 6.5 mm
 - **Tyre** : UST Tubeless and tubetype
 - **Internal width** : 19 mm
 - **ETRTO size** : 622x19TC Road
- Use with Mavic Tubeless Tape

SPOKES

- **Material** : steel
- **Shape** : straight pull, flat
- **Nipples** : steel, ABS
- **Count** : 24 front and rear
- **Lacing** : front and rear crossed 2

WHEEL HUB

- **Front and rear bodies** : aluminum
 - **Axle material** : aluminum
- Auto adjust sealed cartridge bearings (QR Auto), front and rear
- **Freewheel** : Instant Drive 360
 - **Front** : Quick release and 12x100 through axle compatible
 - **Rear** : Quick Release, 12x142 and 12x135 compatible

VERSIONS

- **Color** : Black only
- **Disc standard** : Center Lock(R) only

WHEEL WEIGHTS

855