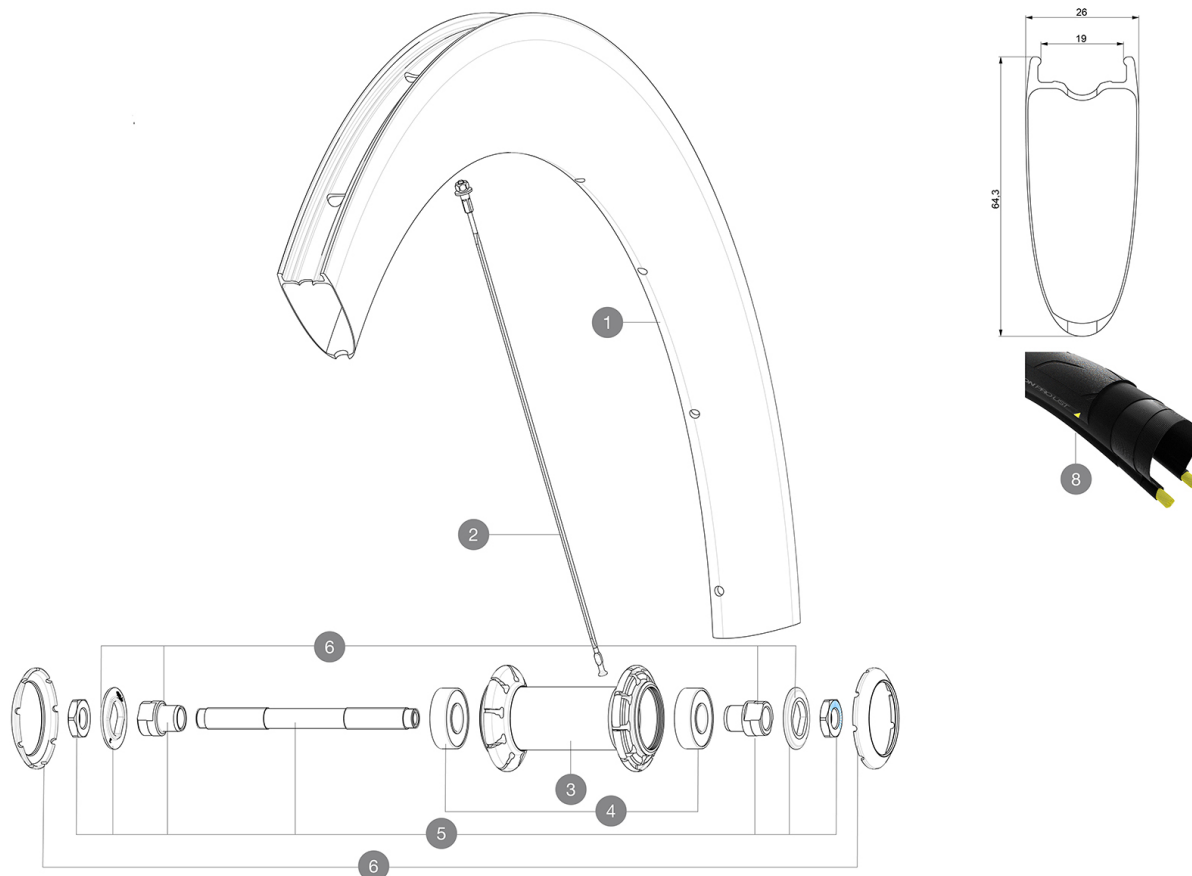


ASTM A201 1 : 120
25 32mm
2

参照ホイール

F87721 Comete Pro Carbon UST Ft



RIMS



&NBSP;:

| | | |
|---|----------|---|
| 1 | V2737210 | KIT FRONT RIM COMETE PRO CARBON SL UST 19 |
| | V3720101 | 25mm UST Tape for 19 to 22mm Road Rims |

SPOKES

| | | |
|---|----------|--|
| 2 | V3668701 | Kit 2 front/rear 245mm stamped butted spoke Comete Pro Carbo |
| 2 | V4161501 | Kit 2 front/rear 245mm stamped butted stainless spoke Comete |
| 2 | V3668601 | Kit 12 front/rear NDS butted spoke 245mm Com Pro Carbon UST |
| 2 | V4161401 | Kit 12 front/rear NDS butted stainless spoke 245mm Com Pro C |


HUB SHELLS

| | | |
|---|----------|--|
| 3 | N/A | HUB BODY |
| 4 | M40318 | HUB BEARING KIT 6001 |
| 5 | 99603801 | SHORT EXPENSIBLE BEARING SUPPORTS > 2008 |
| 6 | 99603701 | FRONT AXLE QRM ROAD 2008 |
| 7 | 12034401 | KIT 3 HUB CAPS AERO 10 SLOTS BLACK |



Comete Pro Carbon UST

付属品

| | |
|--------------------------------|---|
| MAVIC (L35546600) | |
| BR301 V24 501 01 V24 502 01 | |
| | |
| (V24 603 01 604 01) | |
| UST (L12983800) |  |
| | |
| | |

COMPATIBILITY

| | |
|--|--|
| | |
| | |
| | |

Specifications

リム

• 3K
64mm
+ iTgMAX
6.5mm
UST
19mm
ETRTO 622x19TC

スポーク

ABS
18
20
2

ホイールハブ

QRMA
FTS-L

VERSIONS

ホイールの重み

835